



PT-Elite-UGK

Elite iPad Teleprompter Upgrade Kit

QUICKSTART GUIDE

CONDITIONS OF WARRANTY SERVICE

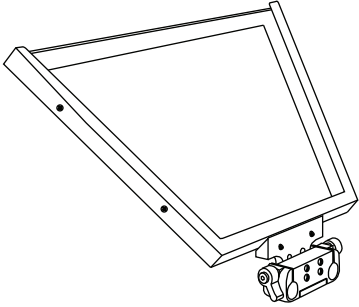
- Free service for one year from the day of purchase if the problem is caused by manufacturing errors.
- The components and maintenance service fee will be charged if the warranty period has expired.

Free Service will not be Provided in the Following Situations: (*Even if the product is still within the warranty period.)

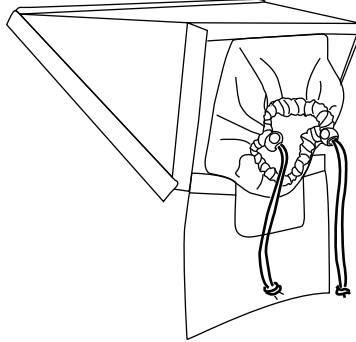
- Damage caused by abuse or misuse, dismantling, or changes to the product not made by the company.
- Damage caused by natural disaster, abnormal voltage, and environmental factors etc.

Elite iPad Teleprompter Upgrade Kit QUICKSTART GUIDE

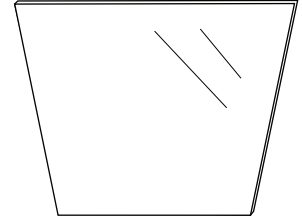
What's included



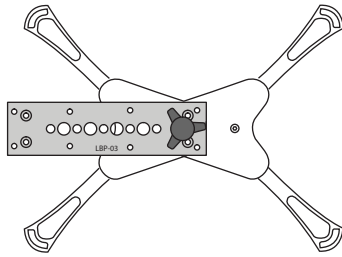
Glass Frame



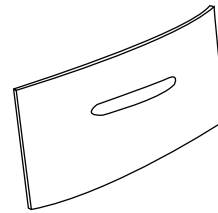
Hood



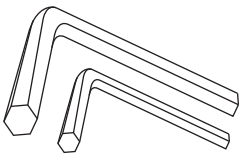
30/70 Prompter Glass



iPad Teleprompter Mount



iPad Protection Bumper



1 x HEX KEY 3mm
1 x HEX KEY 1/8 inch



1 x D-Ring



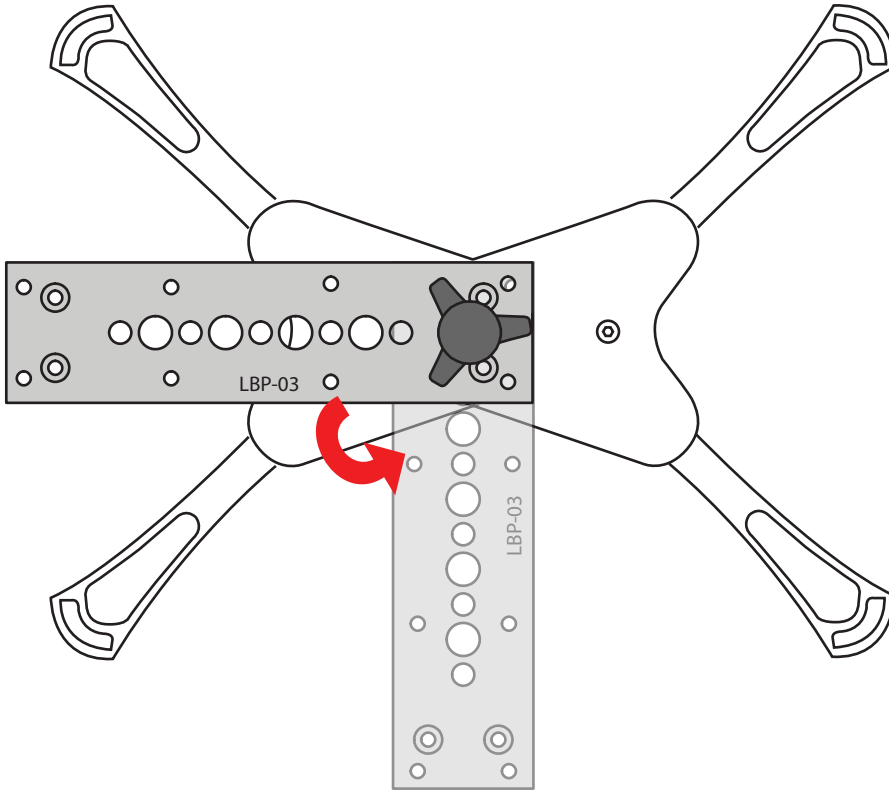
2 x 4mm X 20mm Socket
Head Countersink Screw

Checked by

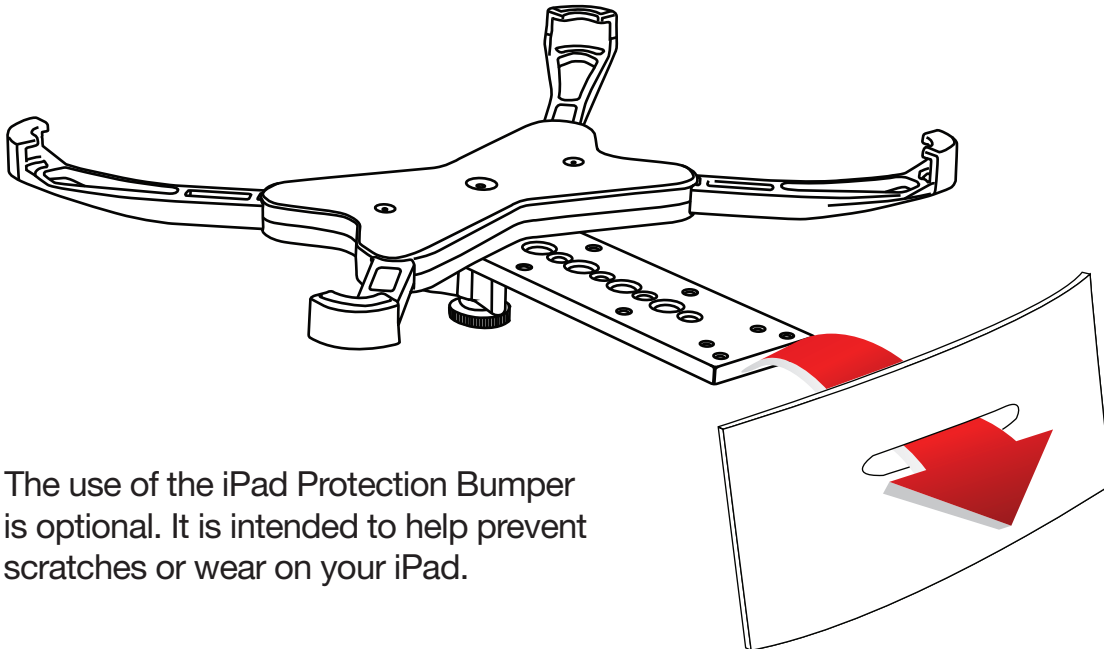
Elite iPad Teleprompter Upgrade Kit QUICKSTART GUIDE

GETTING STARTED

1. Loosen the thumb screw. Turn LBP-03 90° and tighten it.



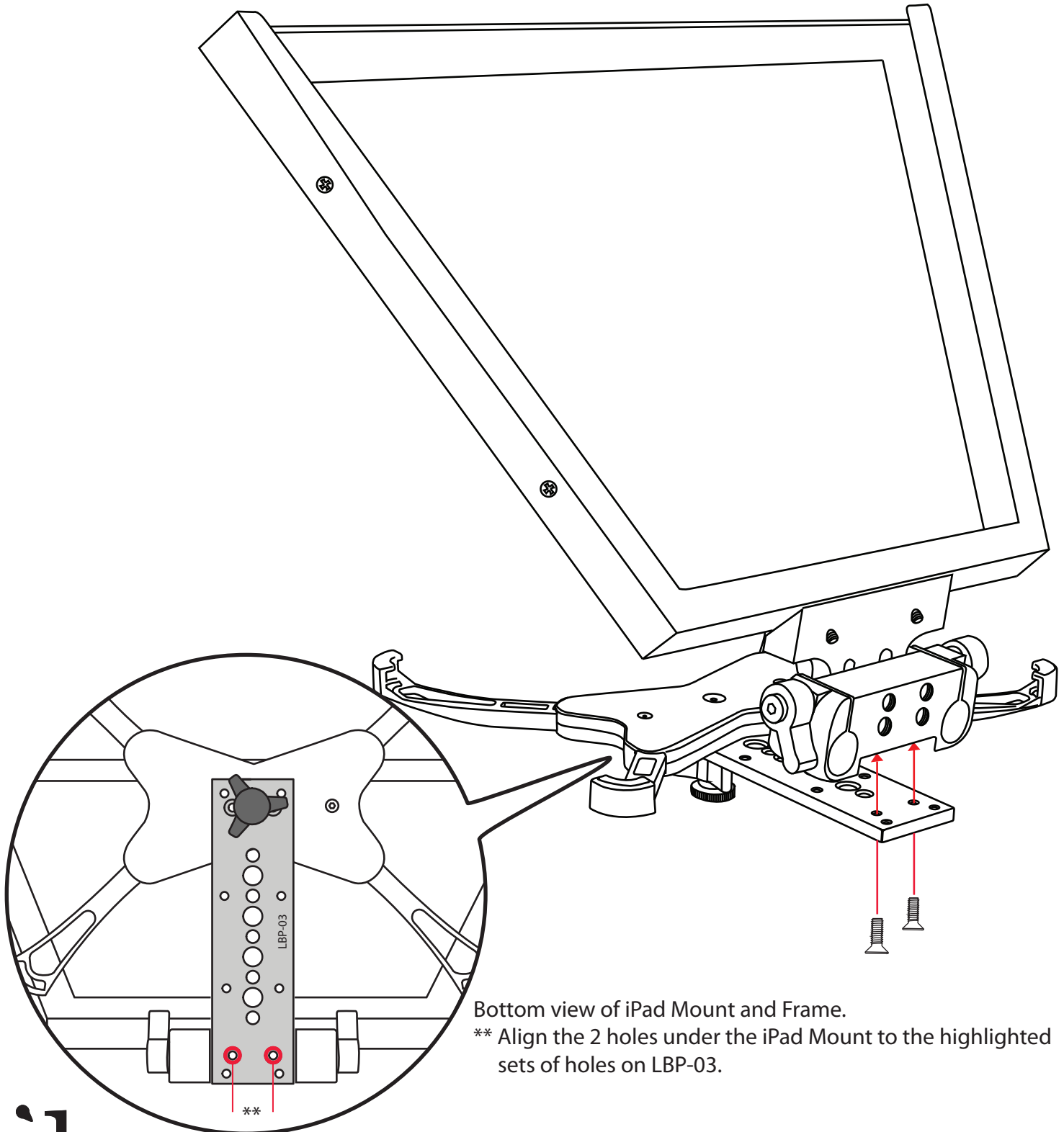
2. Slide the iPad Mount through the iPad Protection Bumper.



Note: The use of the iPad Protection Bumper is optional. It is intended to help prevent scratches or wear on your iPad.

Elite iPad Teleprompter Upgrade Kit QUICKSTART GUIDE

3. Fit Frame to iPad Mount. Secure with 2 x Socket Head Countersink Screw.

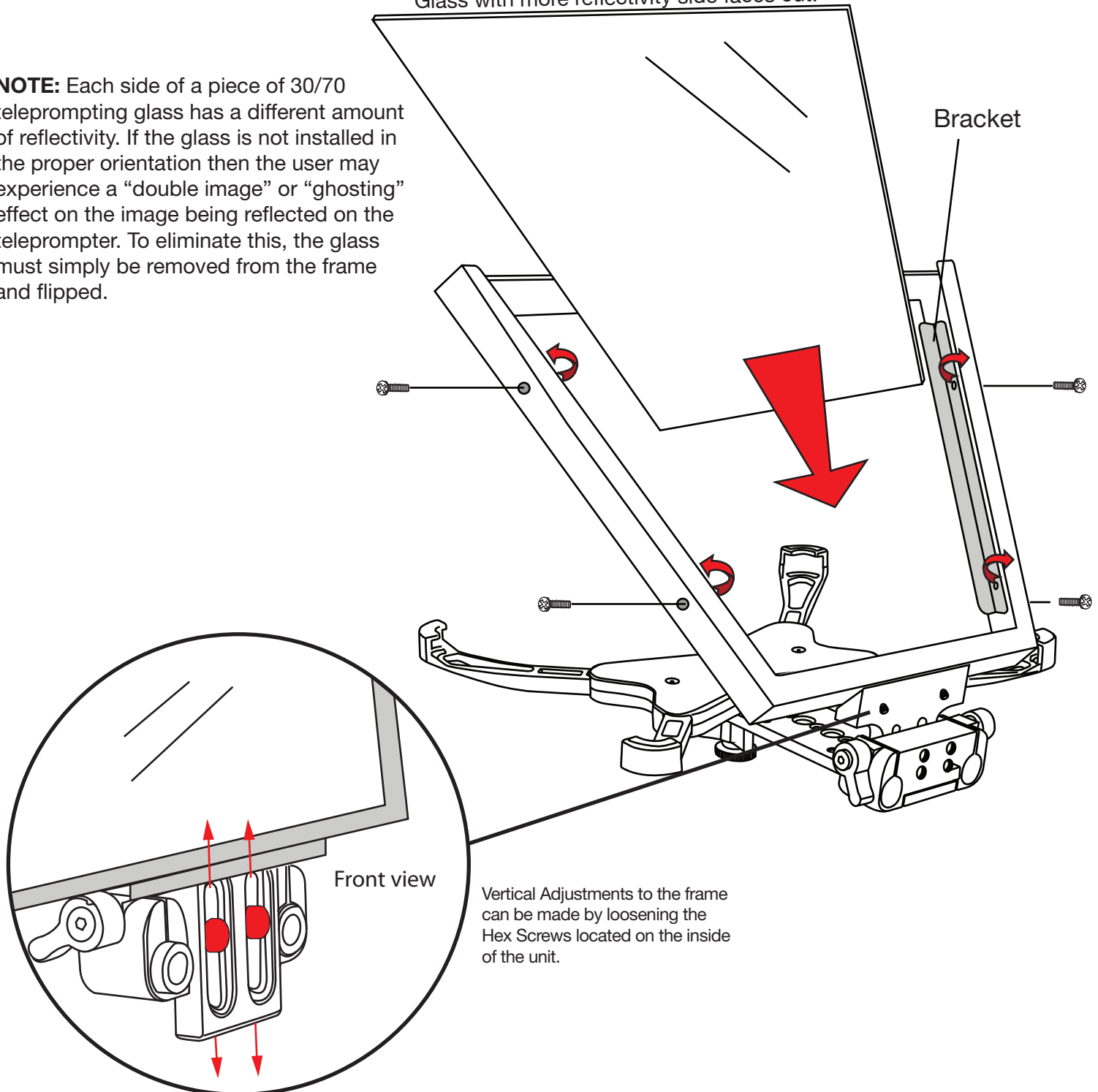


Elite iPad Teleprompter Upgrade Kit QUICKSTART GUIDE

4. Remove 4 x small frame screws and 2 x brackets. Insert prompter glass into frame. Secure prompter glass by replacing brackets and screws.

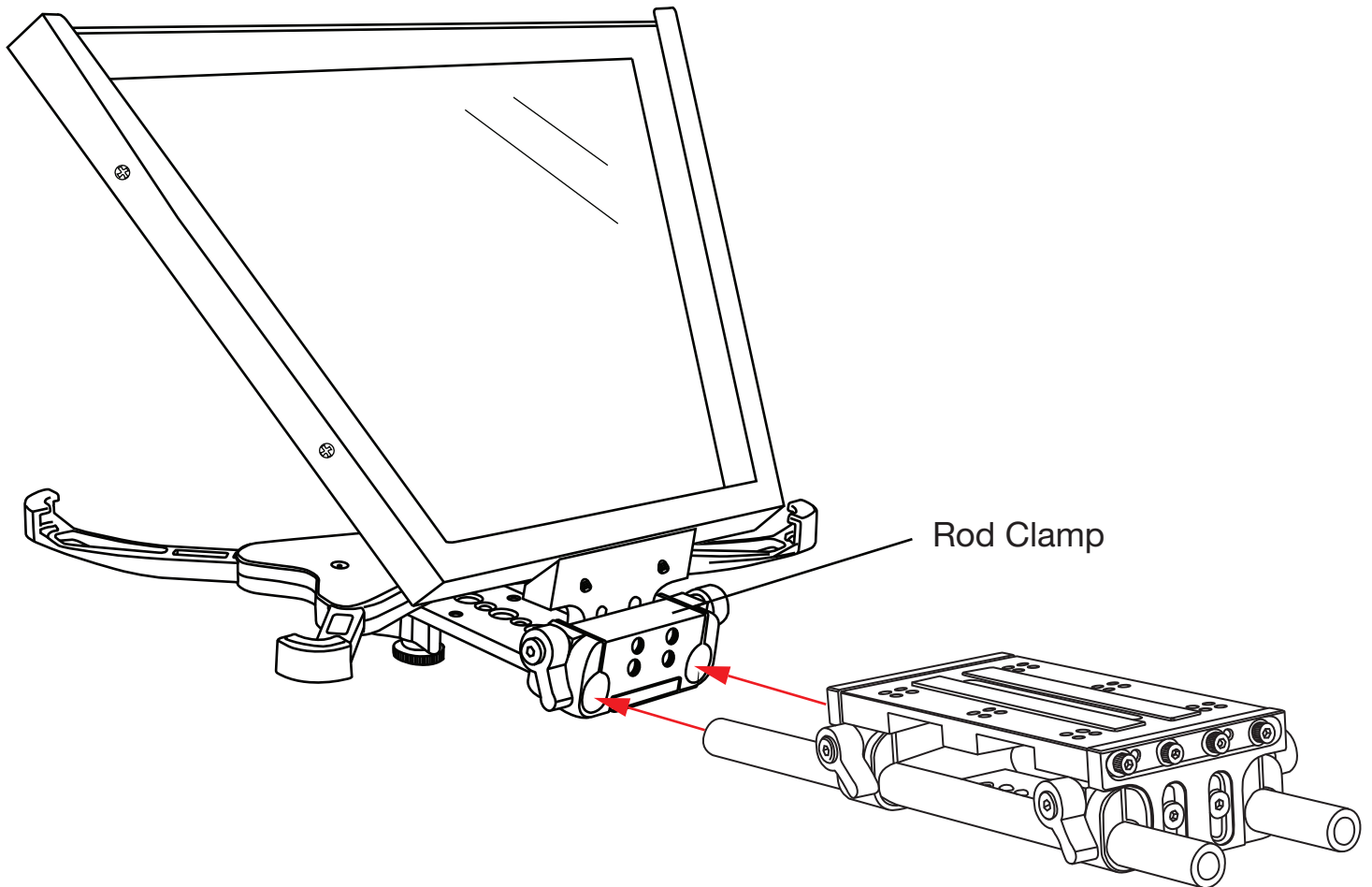
NOTE: Each side of a piece of 30/70 teleprompting glass has a different amount of reflectivity. If the glass is not installed in the proper orientation then the user may experience a “double image” or “ghosting” effect on the image being reflected on the teleprompter. To eliminate this, the glass must simply be removed from the frame and flipped.

** Glass with more reflectivity side faces out.



Elite iPad Teleprompter Upgrade Kit QUICKSTART GUIDE

5. Secure your 15mm rod based system to the Rod Clamp.



Elite iPad Teleprompter Upgrade Kit QUICKSTART GUIDE

6. Apply Velcro to Glass Frame border. Attach Hood.

