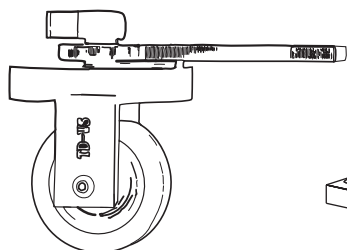
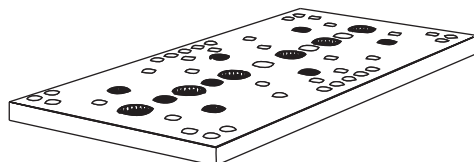


# ELE-TTD (Table Top Dolly)

## QUICKSTART GUIDE



Wheel Part



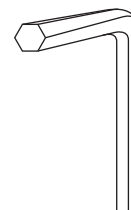
ELE-DBLPT



D-Ring



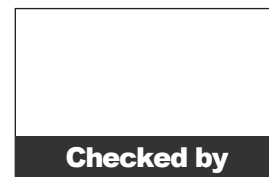
Socket Head  
Screw



Hex Key

## Whats included

- 3 x Wheel Assembly
  - Adjustment Disk (ELE-TD-AD)
  - Wheel Support (ELE-TD-WS)
  - Handle Arm (ELE-HDLE)
  - Friction FF Wheel
  - 1/4-20 Thumb Screw Nut (Ikan-TS)
  - Countersink Alignment Screw
- Double Cheese Plate (ELE-DBLT)
- D-Ring Screw (DRS-01)
- 6 x 4mm Socket Head Screw 10mm
- Hex Key



Checked by

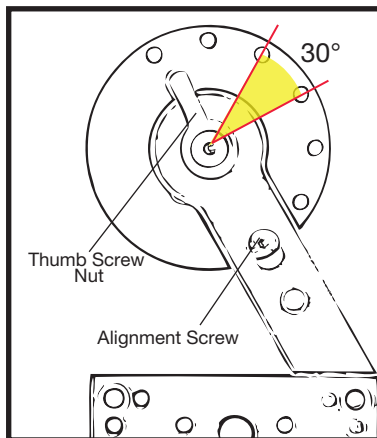
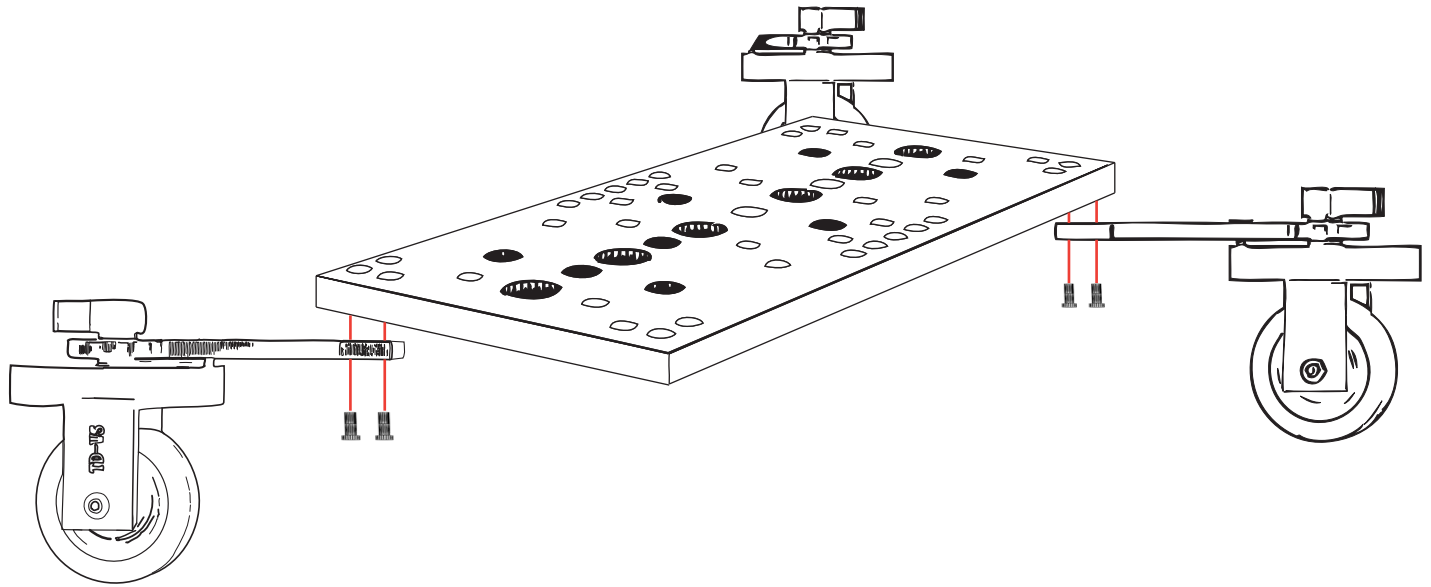
ikan

[www.ikancorp.com](http://www.ikancorp.com)

713-272-8822

# ELE-TTD (Table Top Dolly)

## QUICKSTART GUIDE



Each of the three wheels can individually rotate a full 360 degrees. In addition, each individual wheel has 7 preset adjustment slots in 30 degree increments.

### Steps:

- 1) Loosen Thumb Screw Nut
- 2) Remove Alignment Screw
- 3) Rotate Wheel Support to desired angle
- 4) Reattach Alignment Screw and tighten Thumb Screw Nut

### CONDITIONS OF WARRANTY SERVICE

- Free service for one year from the day of purchase if the problem is caused by manufacturing errors.
- The components and maintenance service fee will be charged if the warranty period has expired.

Free Service will not be Provided in the Following Situations: (\*\* Even if the product is still within the warranty period.)

- Damage caused by abuse or misuse, dismantling, or changes to the product not made by the company.
- Damage caused by natural disaster, abnormal voltage, and environmental factors etc.

# ikan

[www.ikancorp.com](http://www.ikancorp.com)

713-272-8822