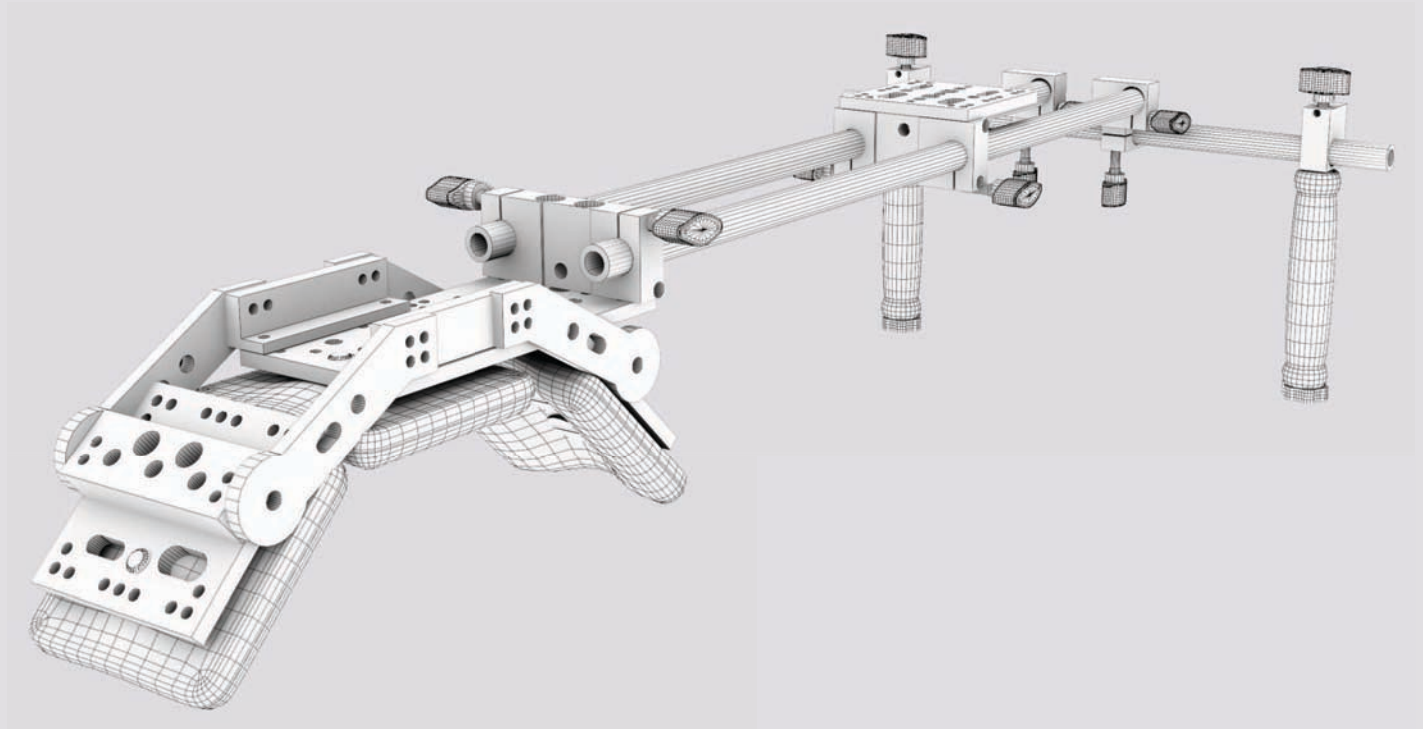
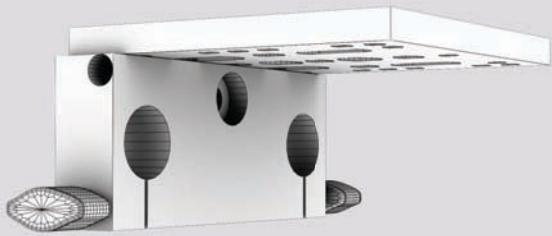


# ELE-SMD

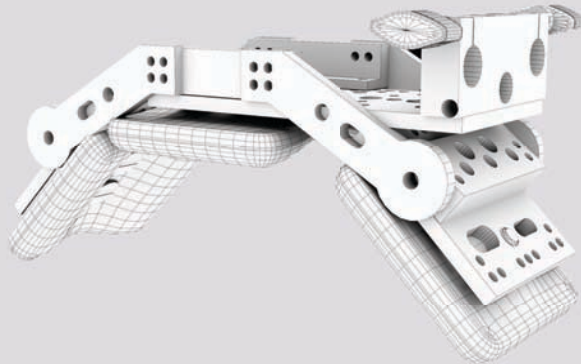
## Shoulder Mount Deluxe QUICKSTART GUIDE



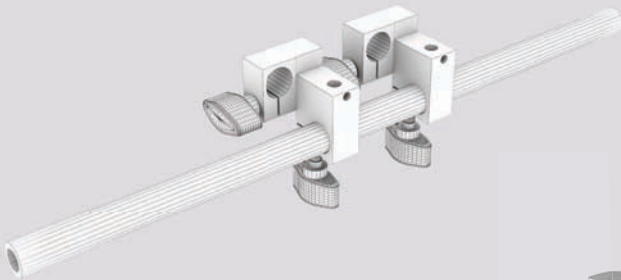
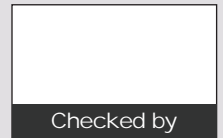
### What's included



☐ 1 x ELE-PT & ELE-15RM



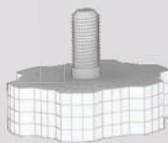
☐ 1 x ELE-DBLPT, ELE-PT, ELE-UP(3), ELE-15RM, ELE-90-M(2), ELE-HDLE(4), & CHES-JR.



☐ 1 x ELE-15R12, ELE-90-15RDA(2) & ELE-15RDA(2)



☐ 1 x ELE-15R18 (pair)



☐ 1 x Rossette Screw



☐ 2 x ELE-15RDA & ELE-GB-F

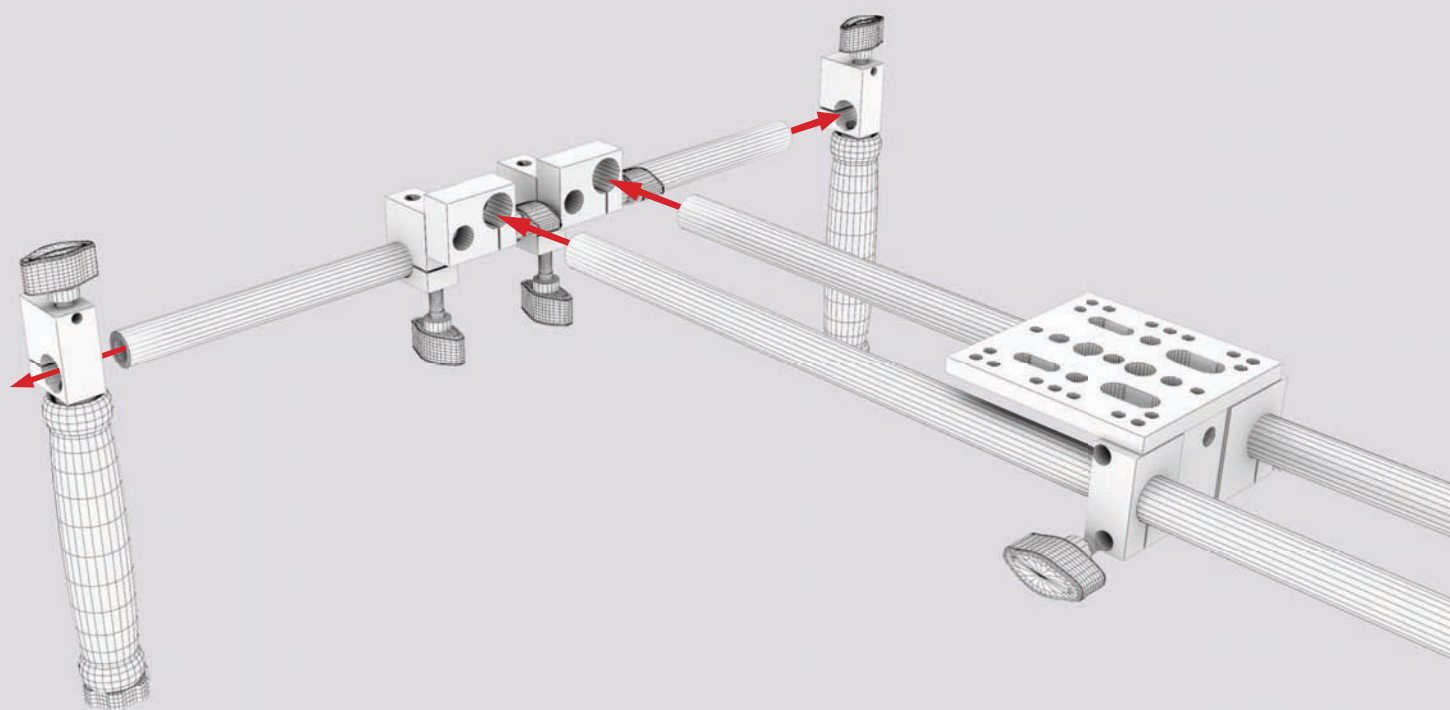
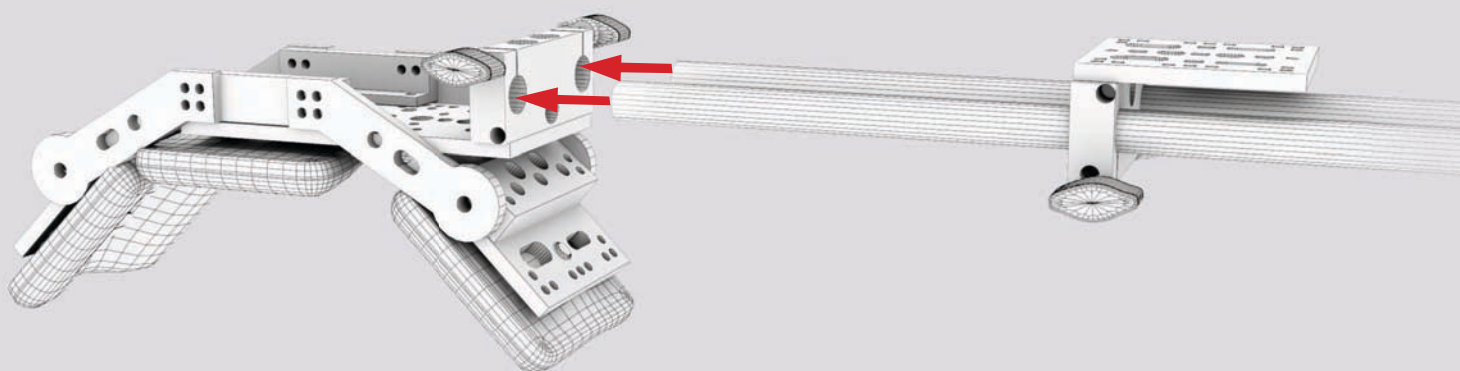
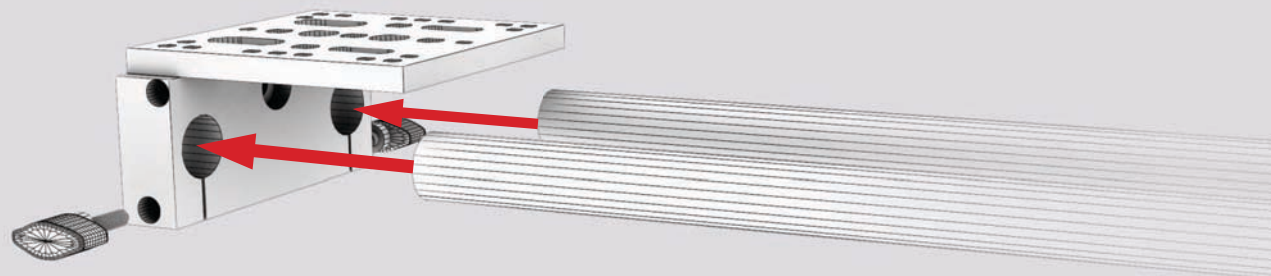
ikan

[www.ikancorp.com](http://www.ikancorp.com)

713-272-8822

**ELE-SMD**

**Shoulder Mount Deluxe QUICKSTART GUIDE**



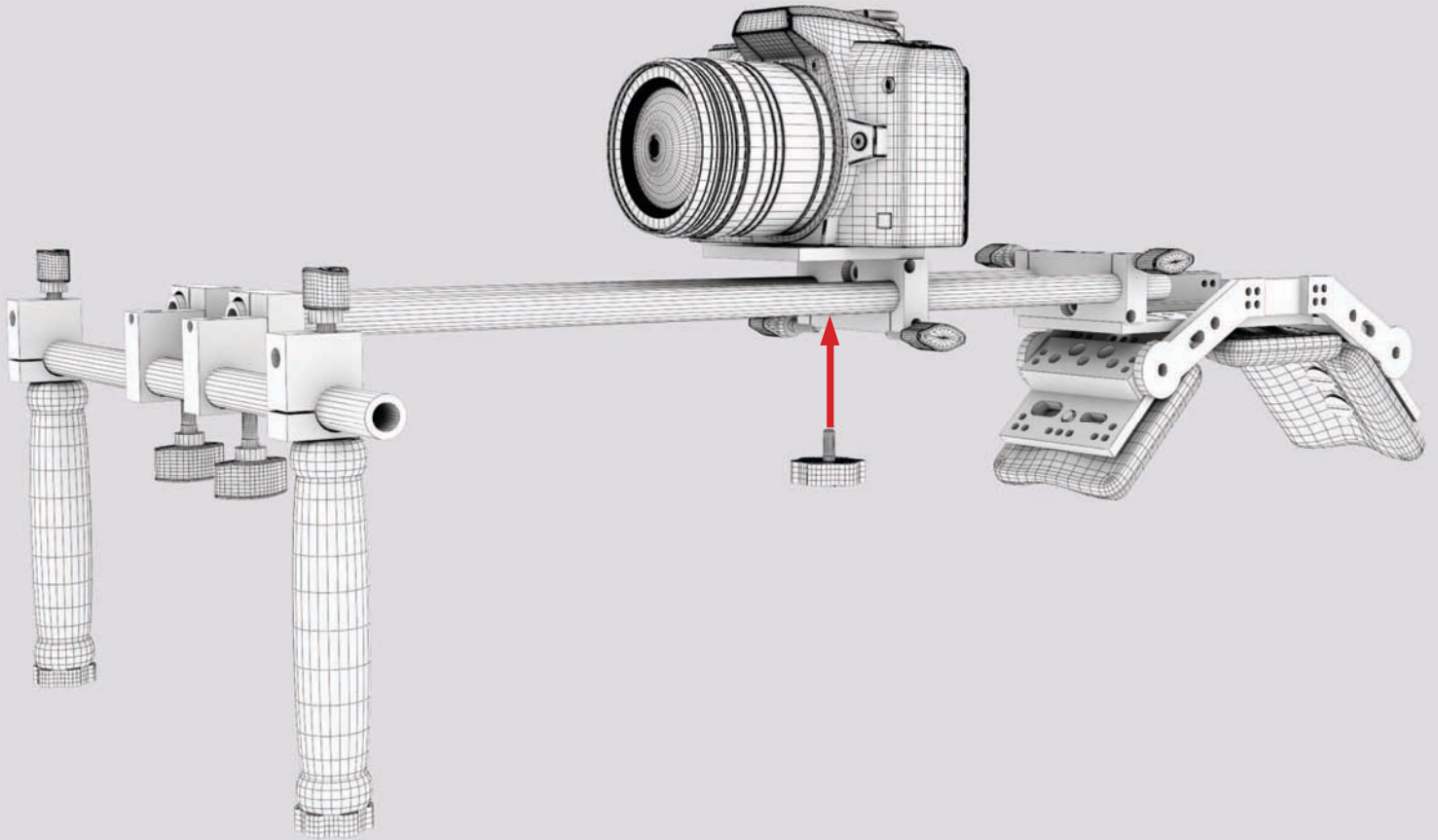
ikan

[www.ikancorp.com](http://www.ikancorp.com)

713-272-8822

# ELE-SMD

## Shoulder Mount Deluxe QUICKSTART GUIDE



### CONDITIONS OF WARRANTY SERVICE

- Free service for one year from the day of purchase if the problem is caused by manufacturing errors.
- The components and maintenance service fee will be charged if the warranty period has expired.

Free Service will not be Provided in the Following Situations: (\*\* Even if the product is still within the warranty period.)

- Damage caused by abuse or misuse, dismantling, or changes to the product not made by the company.
- Damage caused by natural disaster, abnormal voltage, and environmental factors etc.