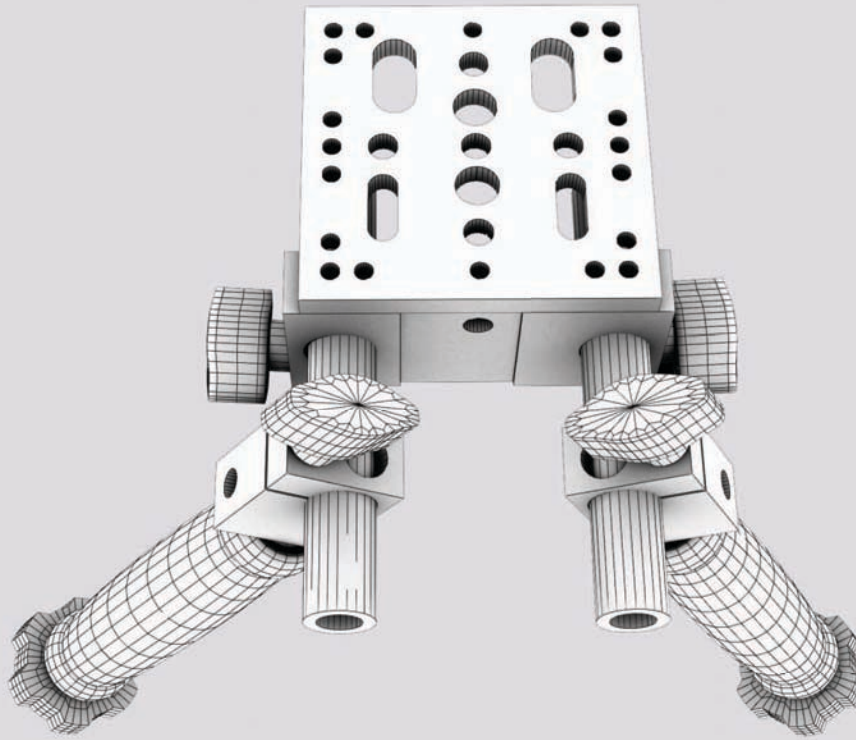


ELE-FGL

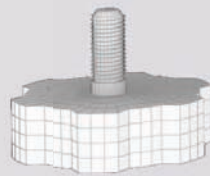
(Fingerling) QUICKSTART GUIDE



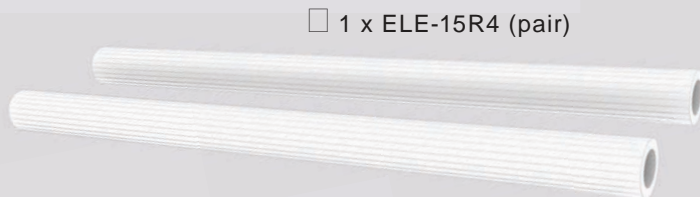
What's included



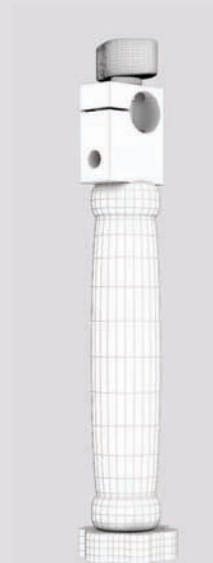
1 x ELE-PT & ELE-15RM



1 x Rossette Screw



1 x ELE-15R4 (pair)

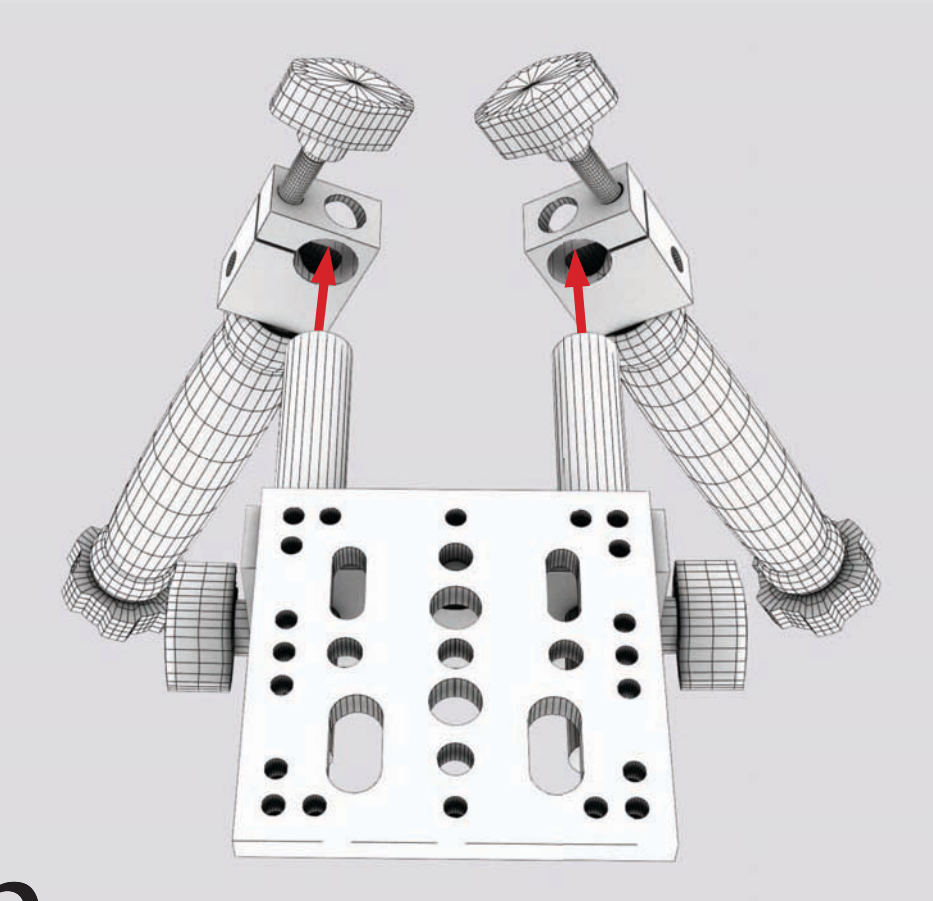
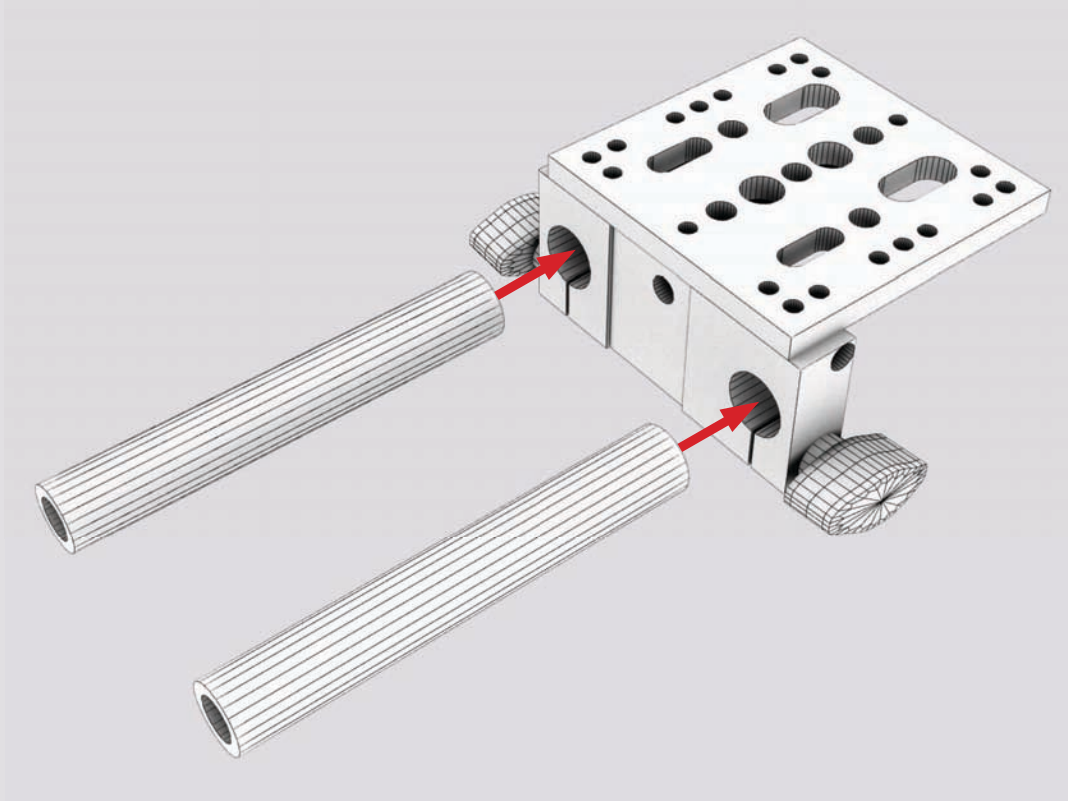


2 x ELE-15RDA & ELE-GB-F

Checked by

ELE-FGL

(Fingerling) QUICKSTART GUIDE



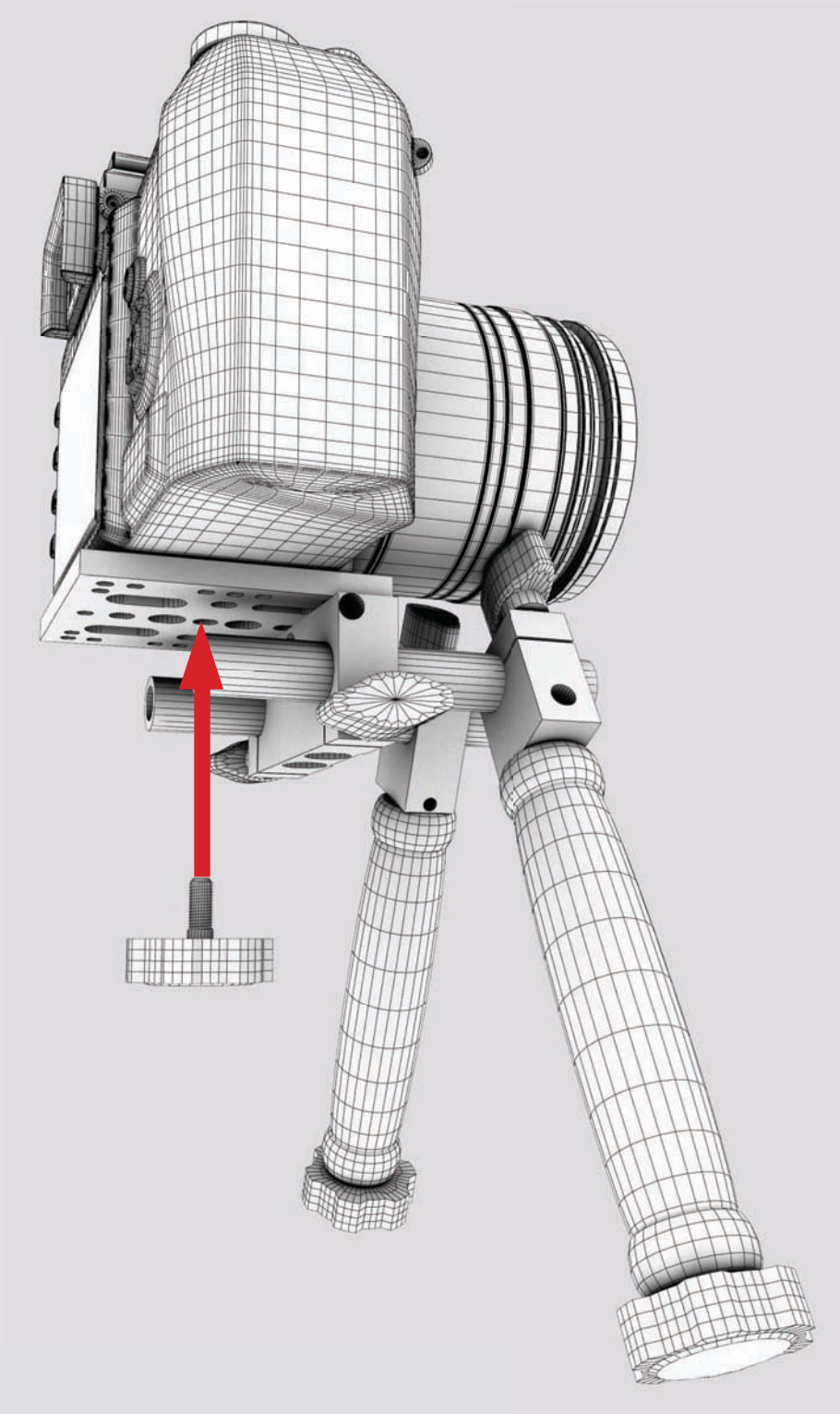
ikan

www.ikancorp.com

713-272-8822

ELE-FGL

(Fingerling) QUICKSTART GUIDE



CONDITIONS OF WARRANTY SERVICE

- Free service for one year from the day of purchase if the problem is caused by manufacturing errors.
- The components and maintenance service fee will be charged if the warranty period has expired.

Free Service will not be Provided in the Following Situations: (** Even if the product is still within the warranty period.)

- Damage caused by abuse or misuse, dismantling, or changes to the product not made by the company.
- Damage caused by natural disaster, abnormal voltage, and environmental factors etc.