

INTRODUCTION

Thank you for purchasing the ikan Multi-K. The Multi-K is extremely easy to use and will quickly become an integral part of your production kit. For more information on this and many other innovative ikan products, please visit our website: www.ikancorp.com.

PACKAGE CHECK LIST

- Multi-K Light
- Camera shoe mount
- AC Adapter

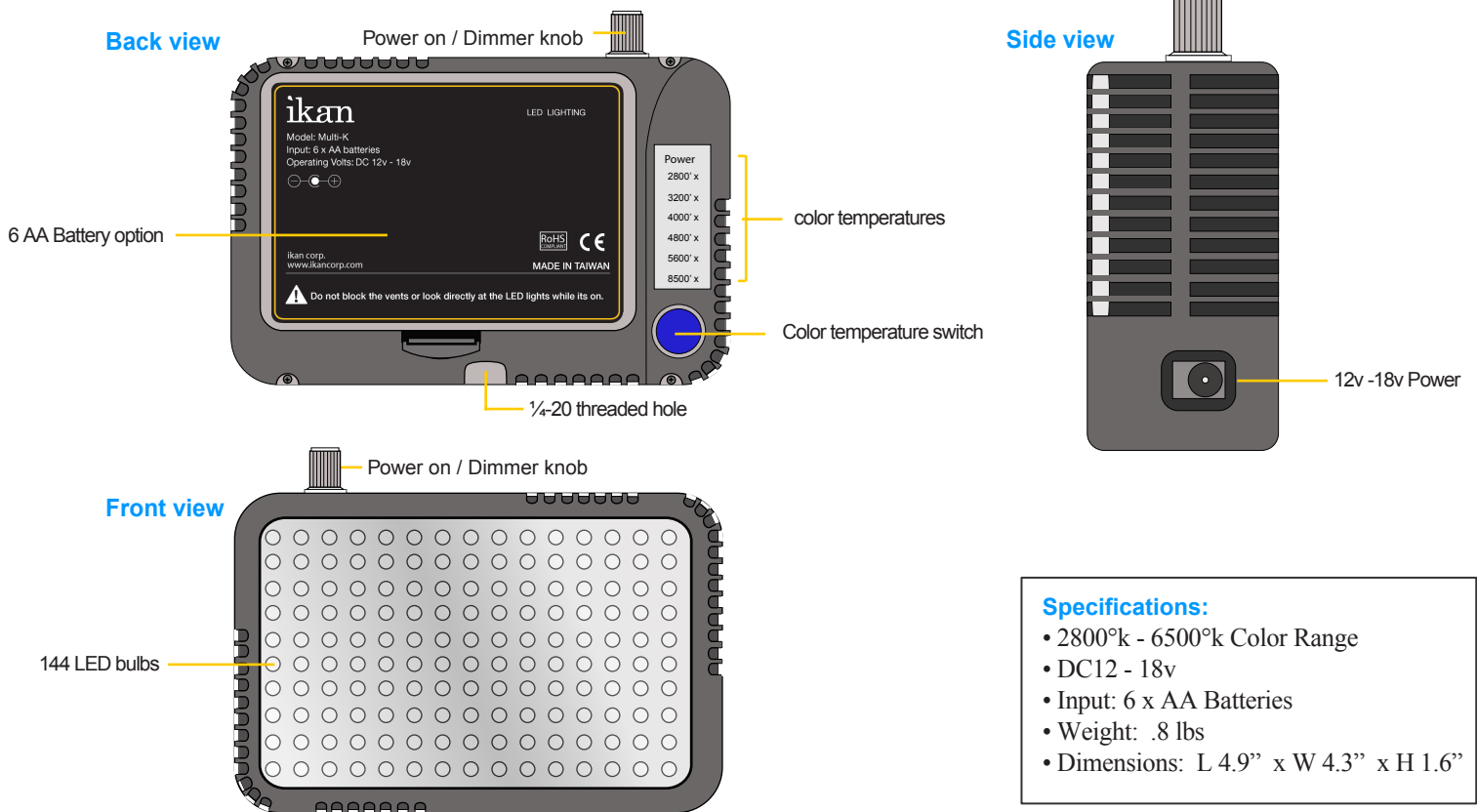


GETTING STARTED

1. Power on the light using the Main Power switch
2. Control the amount of light with the Dimmer Knob clock-wise until you hear a “click”.
3. Turn the light off by twisting the Dimmer Knob counter clock-wise until you hear a “click”.
4. The Multi-K can also be powered by the included AC adapter.
5. Adjust to desired color temperature

ADJUSTING THE BRIGHTNESS

The Dimmer Knob on the top of the light allows you to adjust the intensity of the light. Adjust the intensity of the light by turning the Dimmer Knob clock-wise to increase the intensity and counter clock-wise to reduce it.



CONDITIONS OF WARRANTY SERVICE

- Free service for one year from the day of purchase if the problem is caused by manufacturing errors.
- The components and maintenance service fee will be charged if the warranty period has expired.

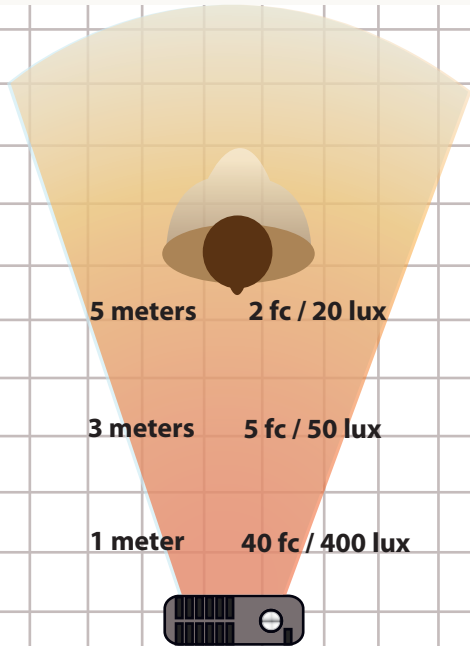
Free Service will not be Provided in the Following Situations: (* Even if the product is still within the warranty period.)

- Damage caused by abuse or misuse, dismantling, or changes to the product not made by the company.
- Damage caused by natural disaster, abnormal voltage, and environmental factors etc.

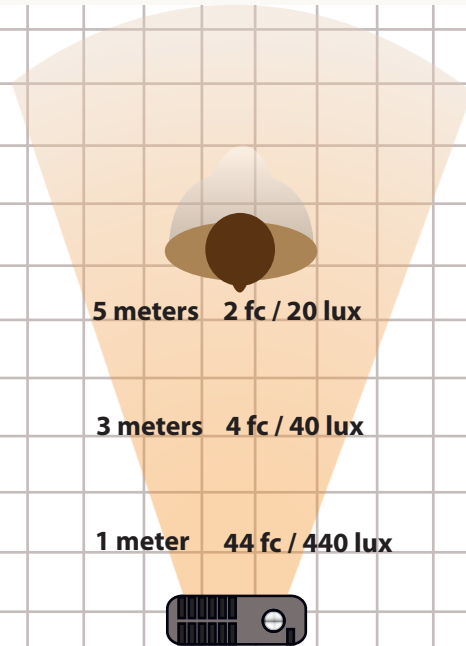
The ID 500 lux drop off

The right amount of light

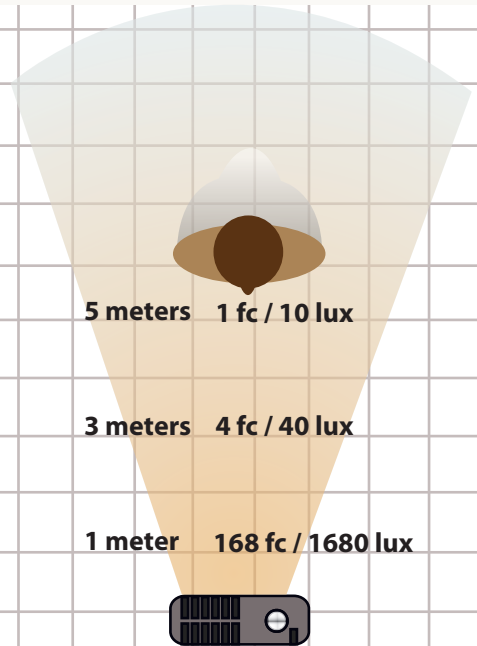
2800 °K



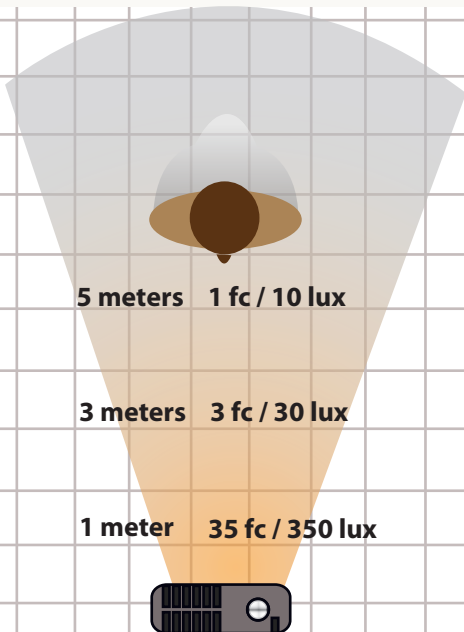
3200 °K



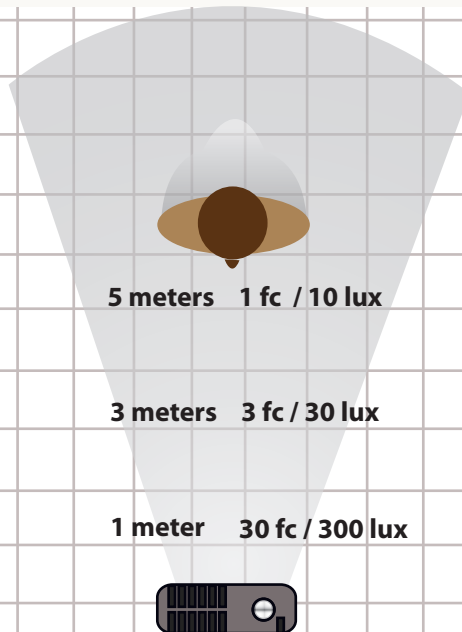
4000 °K



4800 °K



5600 °K



6500 °K

