

# iLED-RL

## Rod Mount LED Ring Light QUICKSTART GUIDE

---



Checked by

---

### CONDITIONS OF WARRANTY SERVICE

- Free service for one year from the day of purchase if the problem is caused by manufacturing errors.
- The components and maintenance service fee will be charged if the warranty period has expired.

Free Service will not be Provided in the Following Situations: (\* Even if the product is still within the warranty period.)

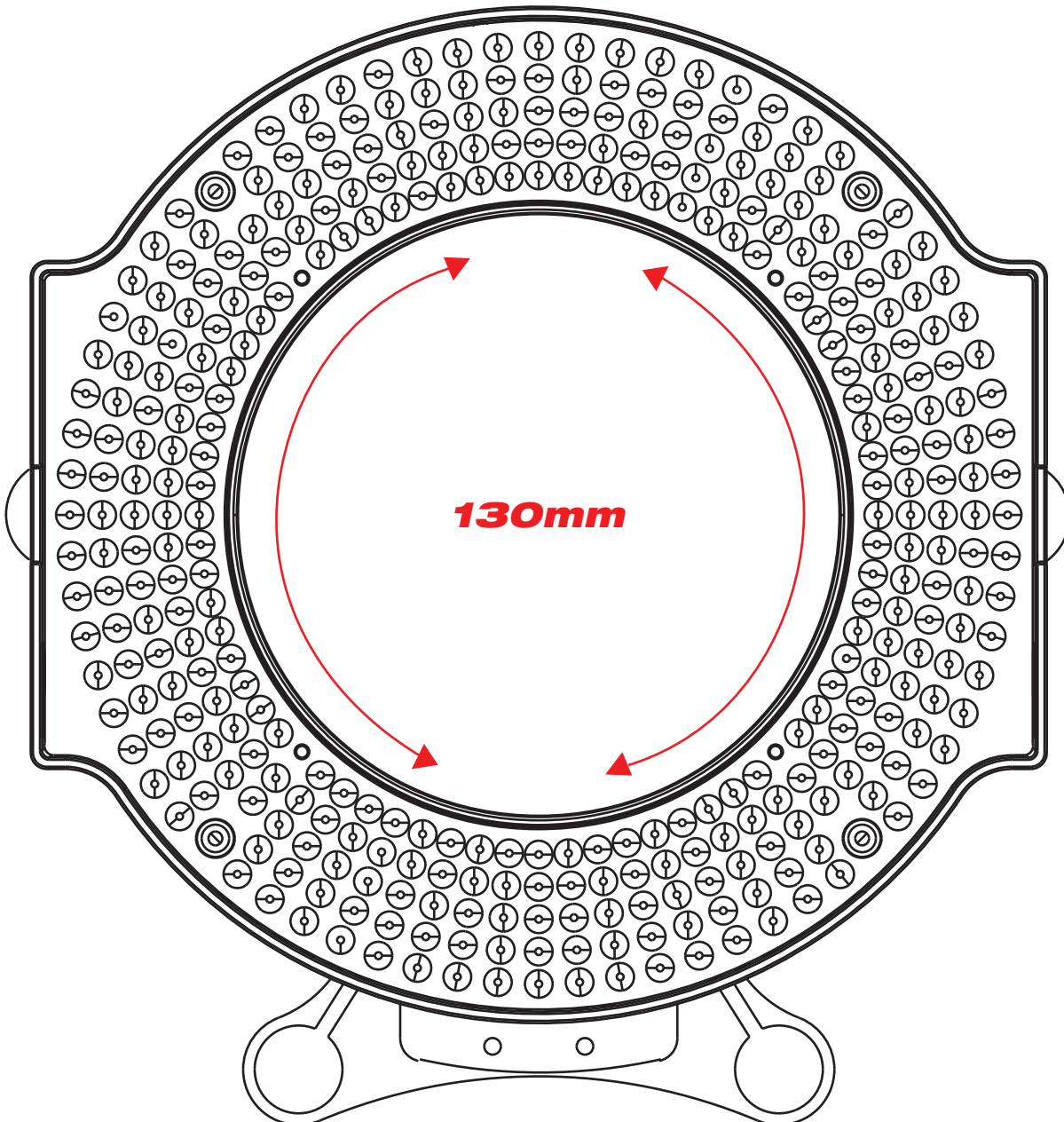
- Damage caused by abuse or misuse, dismantling, or changes to the product not made by the company.
- Damage caused by natural disaster, abnormal voltage, and environmental factors etc.

# **WHAT'S INCLUDED:**

- 1 x iLED Light Fixture
- 1 x 15mm & 19mm Rod Mount
- 2 x F550 Sony L Batteries
- 1 x Dual Battery Charger
- 1 x AC Power Supply
- 4 x Hex Screws

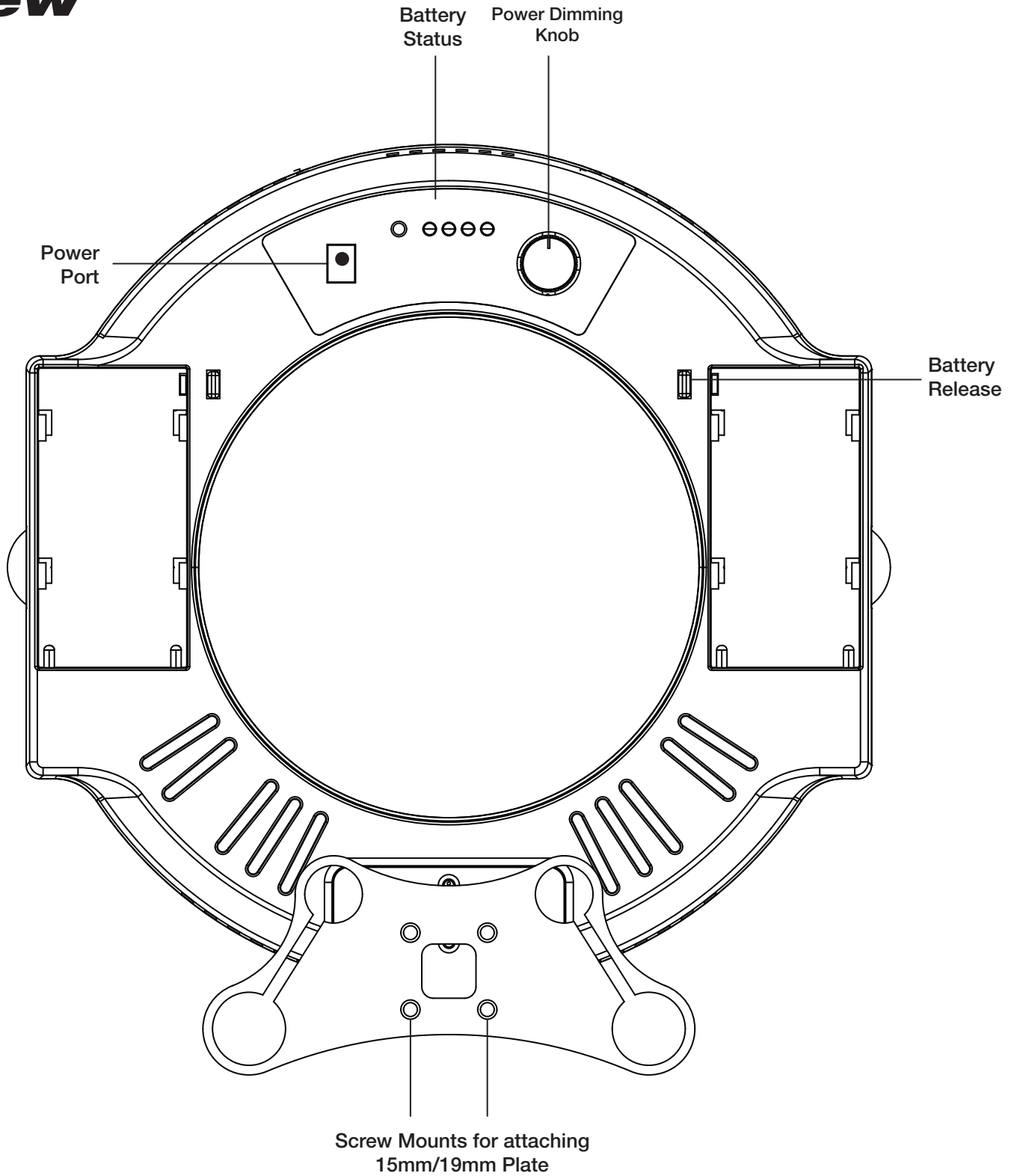


# Front View

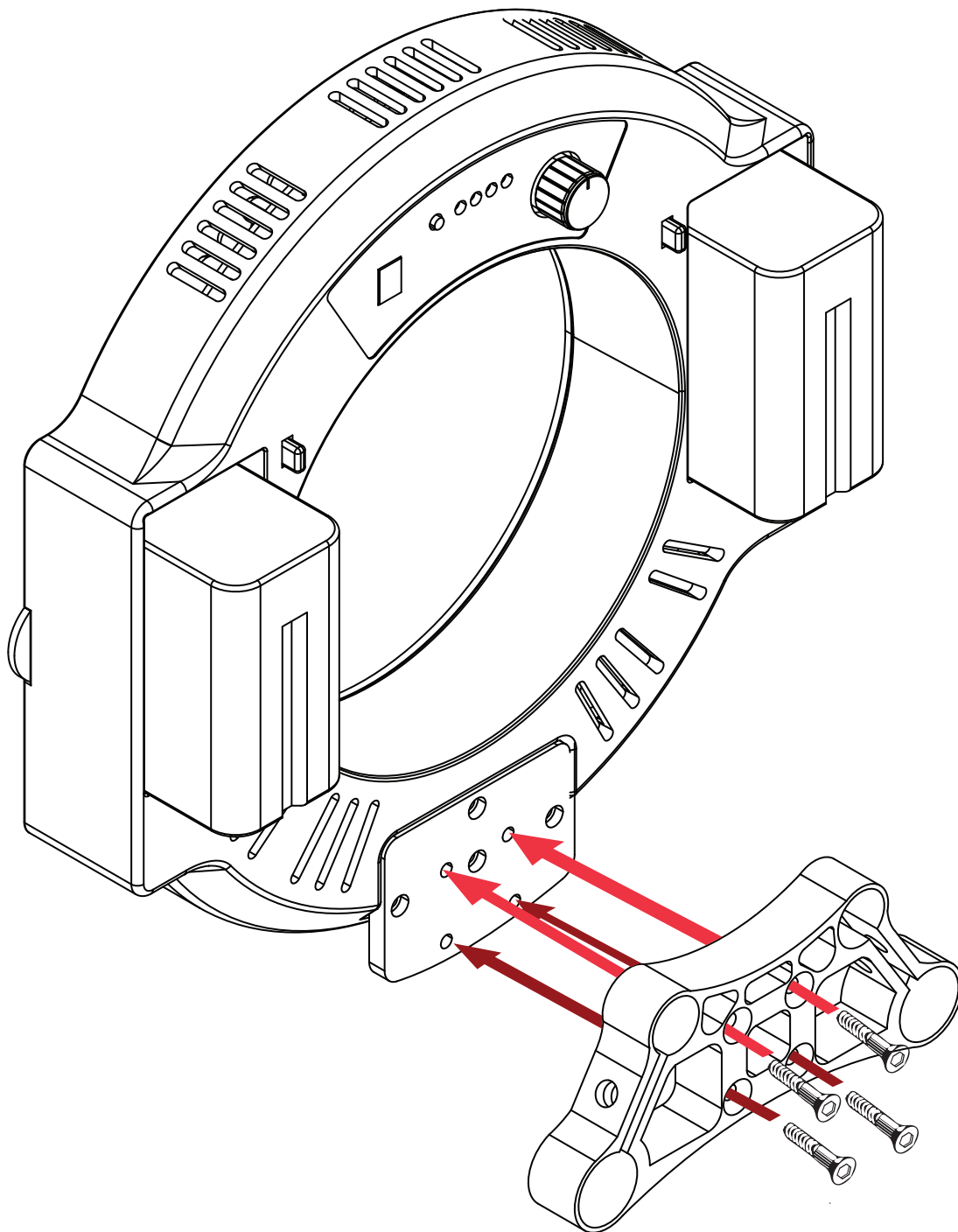


Insert screws through the 15mm/19mm Rod Mount and screw into the place on the ring light.

# Back View

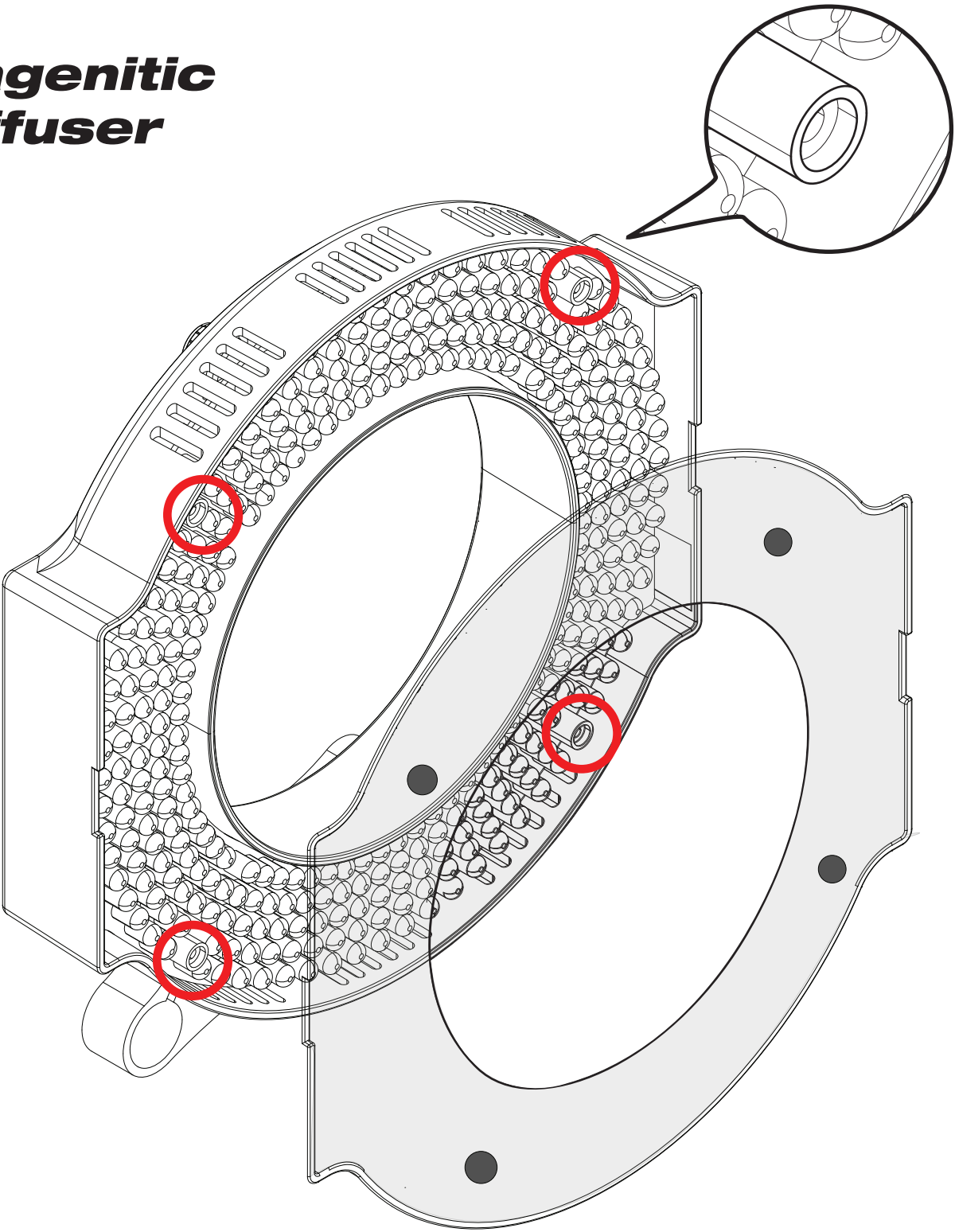


# **Attaching the ROD MOUNT**



Insert Screws through the 15/19mm  
Rod Mount and Screw into the plate  
on the ring light

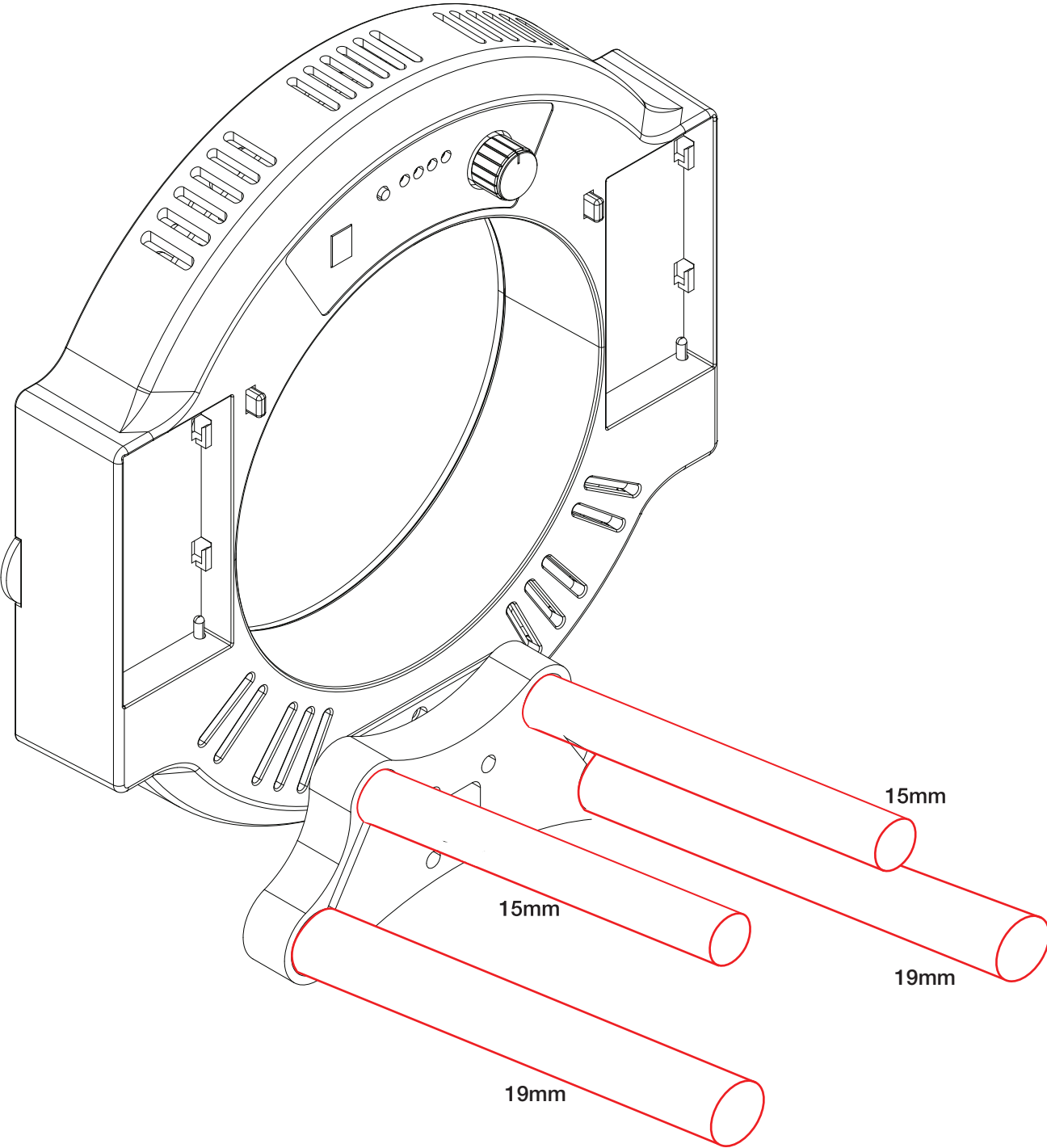
# **Magenitic Diffuser**



Magnetic Diffuser attaches to the front of the fixture



# Rod System



15mm or 19mm Rods can be used with the ring light



#### **CONDITIONS OF WARRANTY SERVICE**

- Free service for one year from the day of purchase if the problem is caused by manufacturing errors.
- The components and maintenance service fee will be charged if the warranty period has expired.

Free Service will not be Provided in the Following Situations: (\* Even if the product is still within the warranty period.)

- Damage caused by abuse or misuse, dismantling, or changes to the product not made by the company.
- Damage caused by natural disaster, abnormal voltage, and environmental factors etc.