

# WS-F200

White Star 6" Fresnel 200 Watt Light

## QUICK START GUIDE



### What's Included

- 1 x Light Fixture
- 2 x Cork Washers
- 2 x Metal Grip Washers
- 2 x Capture Nuts
- 1 x Yoke
- 1 x Barn Door
- 1 x Power Cord
- 2 x Tightening Knobs

<b>CHECKED BY</b>

ikan

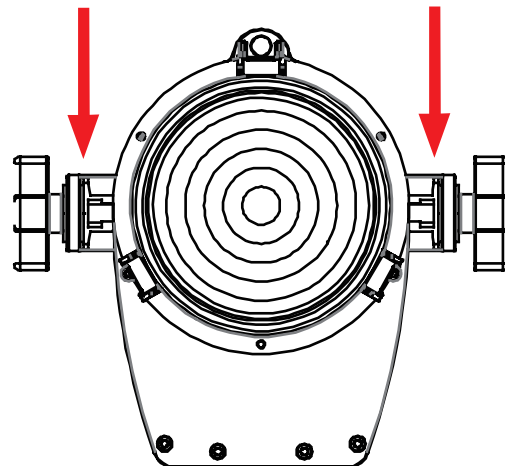
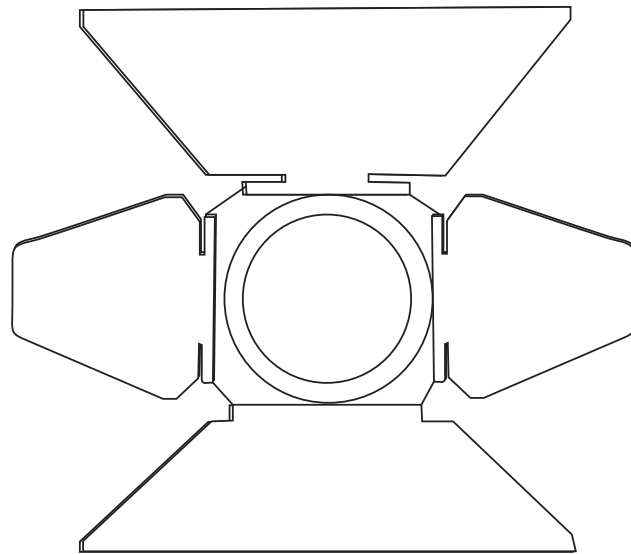
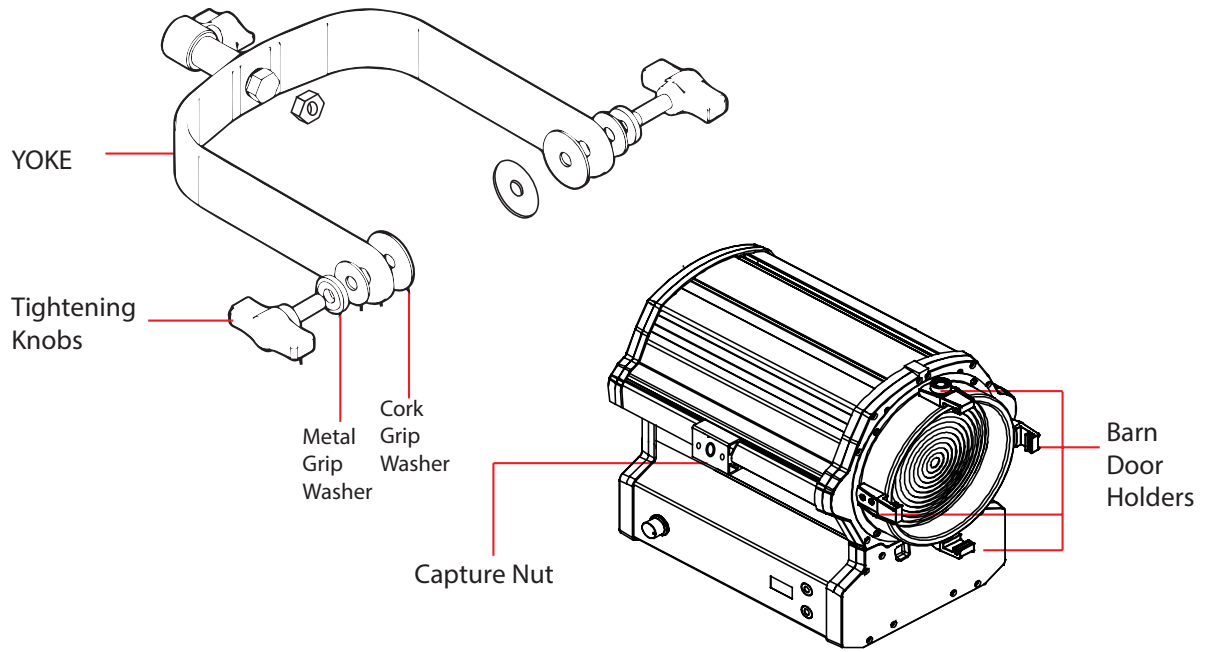
[www.ikancorp.com](http://www.ikancorp.com)

[support@ikancorp.com](mailto:support@ikancorp.com)

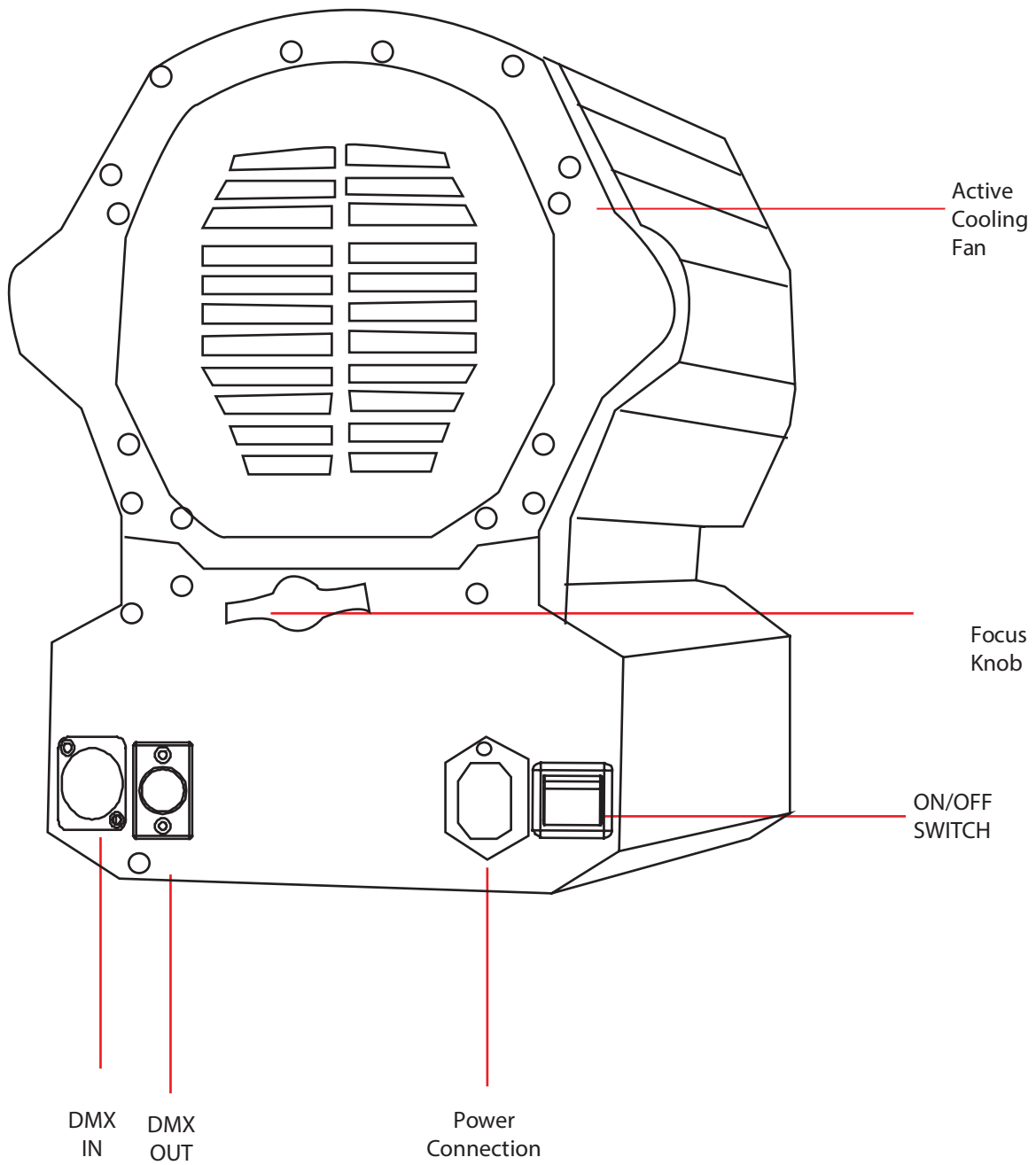
713.272.8822

© 2015 ikan Corporation. All rights Reserved

# WS-F200



# WS-F200



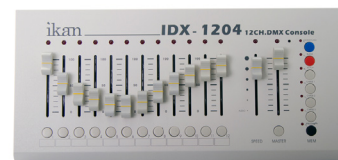
## Specifications

Product Specs	
Beam Angle	15°-50°
Build Material	Aluminum
Control	DMX512 in and out / Toggle Button DMX Control
Cooling System	Active Cooling Fan
Dimming	100-0% Onboard Dimming Knob DMX Dimmer
Focusing	Rotating Rear Knob
Head Type	Daylight (5600K)
Lens	6" Glass Fresnel
Light Source	1-200 watt White LED 5600K
Power Supply	6' Power Cable
Rating	AC volts 120v / 50-60 Hz / 150 watts 63-14 Amps
Fixture Size	13" x 10" x 12"
Shipping Weight	15 lbs
Shipping Dimensions	18" x 15" x 17"
Yoke	Cast Aluminum w/ 1.125" pin

## Optional Accessories



**MK350**  
MK350 Spectrometer  
from UPRtek



**IDM-1204**  
12 Channel DMX Console



**KCP-703**  
Stage Clamp w/ 16mm Stud



**SW-04**  
Safety Wire

## Learn More

More dynamic information at official website: [www.ikancorp.com](http://www.ikancorp.com)

## Support

Contact email: [support@ikancorp.com](mailto:support@ikancorp.com)

### CONDITIONS OF WARRANTY SERVICE

- Free service for one year from the day of purchase if the problem is caused by manufacturing errors.
- The components and maintenance service fee will be charged if the warranty period is expired.

Free Service will not be Provided in the Following Situations:(\*Even if the product is still within the warranty period.)

- Damage caused by abuse or misuse, dismantling, or changes to the product not made by the company.
- Damage caused by natural disaster, abnormal voltage, and environmental factors, etc.