

VX9w

QUICKSTART GUIDE

9" Full HD Plus 3G-SDI Monitor w/ Scopes



What's Included

- 1 x VX9w Monitor
- 1 x AC Adapter
- 1 x Table/Stand Mount
- 1 x DV Battery Adapter Plates (Check One)

CHECKED BY

- VX9w-1 Canon 900, Sony L, Panasonic D54
- VX9w-2 Canon E6, Nikon EL15, Panasonic G6

ikan

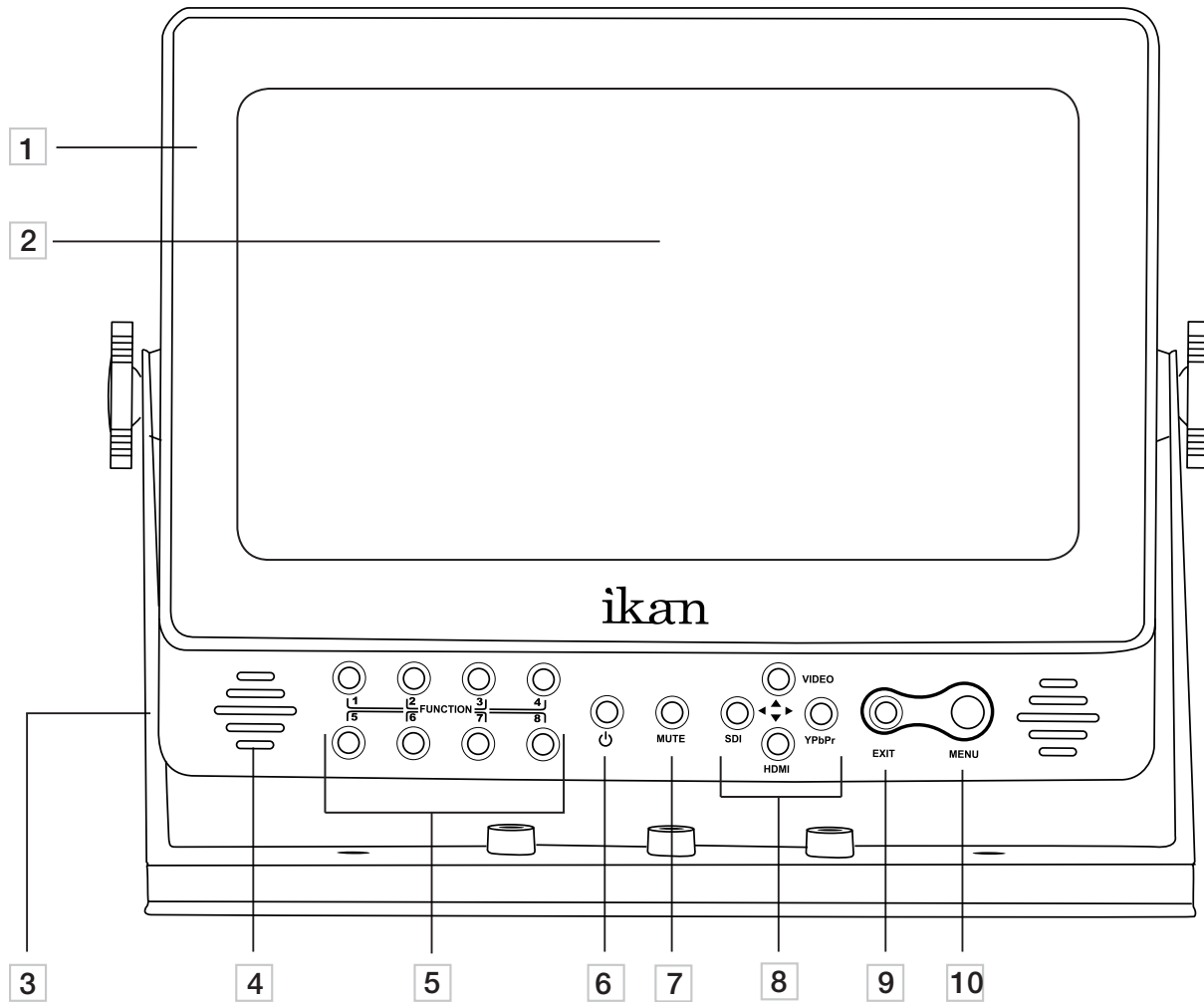
www.ikancorp.com

support@ikancorp.com

713.272.8822

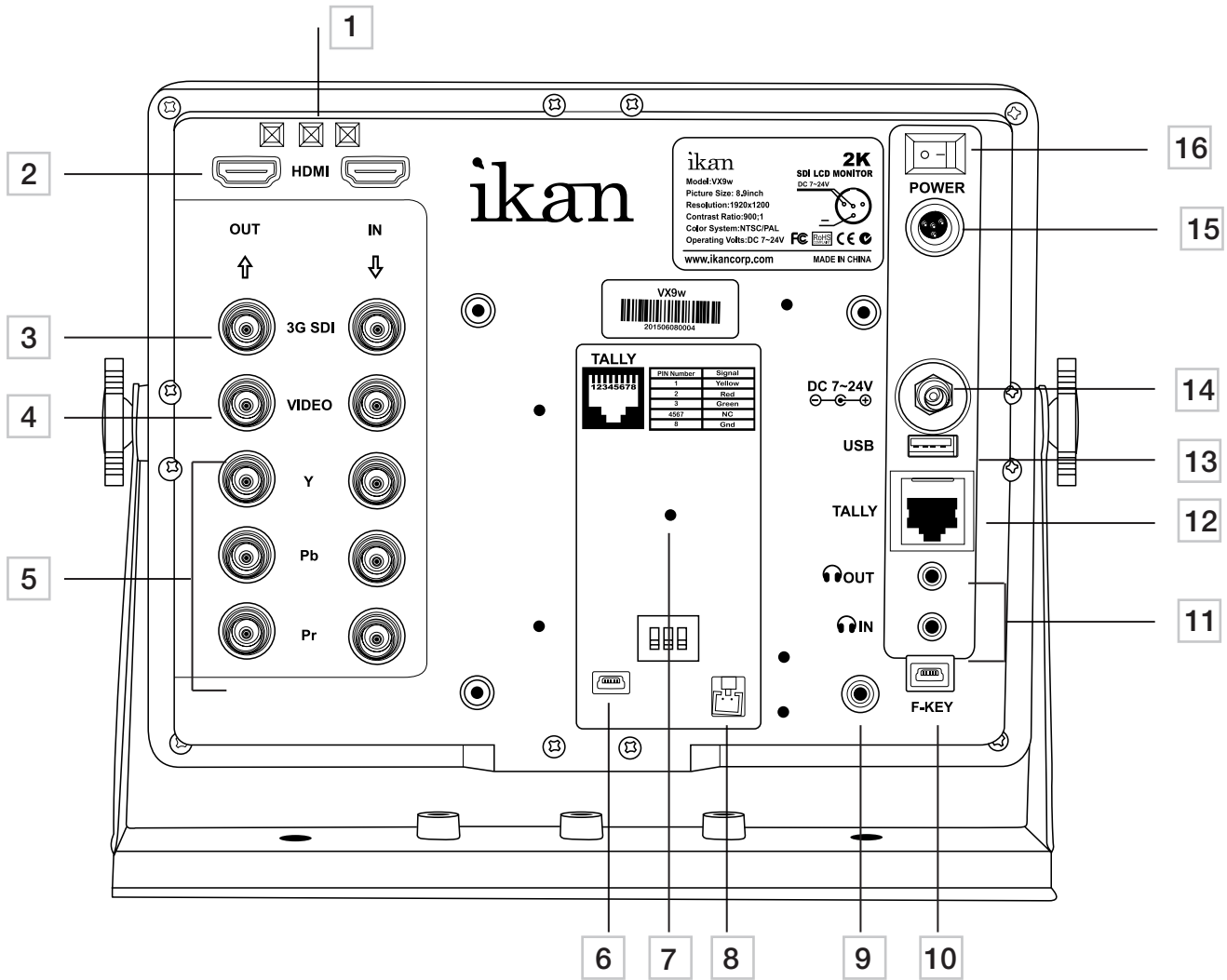
© 2015 ikan Corporation. All rights Reserved

Getting Started



- | | |
|--|---|
| 1 Ultra Durable Gorilla Glass
This will protect the screen from damage. | 6 Soft Power Switch |
| 2 Full HD Plus IPS Panel
Resolution 1920 x 1200. | 7 Mute Button
This will mute any audio coming through the speakers. |
| 3 Table Stand
Doubles as Stand Mount. | 8 Video Input Selector |
| 4 Stereo Speaker | 9 Exit Button
This will exit while inside the menu system. |
| 5 1-8 Function Buttons
Function Key actions are selected in the menu. | 10 Menu button/Control Knob
When pressed it will take you into the menu. Turn the knob to navigate the menu and push to select menu options. |

**User Programmable function buttons. For quick access, the user may program the F1 through F8 buttons to enable frequently accessed monitor features.



- | | |
|---|--|
| <p>1 Tally Lights</p> <p>2 HDMI Terminal
IN: HDMI signal input terminal
OUT: HDMI signal output terminal</p> <p>3 SG-SDI (HD/SD) Terminal (BNC)
IN: SDI input terminal - 3G
OUT: 3G-SDI signal output terminal</p> <p>4 VIDEO Terminal (BNC)
IN: Composite Signal Input Terminal
OUT: Input Signal Through-out Terminal</p> <p>5 YPbPr Terminal (BNC)
IN: Component Signal Input Terminal
OUT: Input Signal Through-out Terminal</p> <p>6 Mini USB Connector
Factory Use Only.</p> <p>7 Battery Plate Slot
Mount ikan BP-2 Style battery plate</p> | <p>8 2-Pin Power Input
For use with Pro battery plate adapter.</p> <p>9 Vesa 100mm Mount Holes
Threaded for M4x.07 Screws. Use to attach Pro Battery Plate Adapter, or for mounting third-party Vesa mounts.</p> <p>10 For Future Use</p> <p>11 3.5mm Audio Input & Output Terminal</p> <p>12 Tally Connector</p> <p>13 USB for Firmware Upgrades</p> <p>14 COAX Power Input
For use with included Power Supply.</p> <p>15 4-Pin Mini XLR Power Input</p> <p>16 Hard Power Switch</p> |
|---|--|

Powering the Monitor

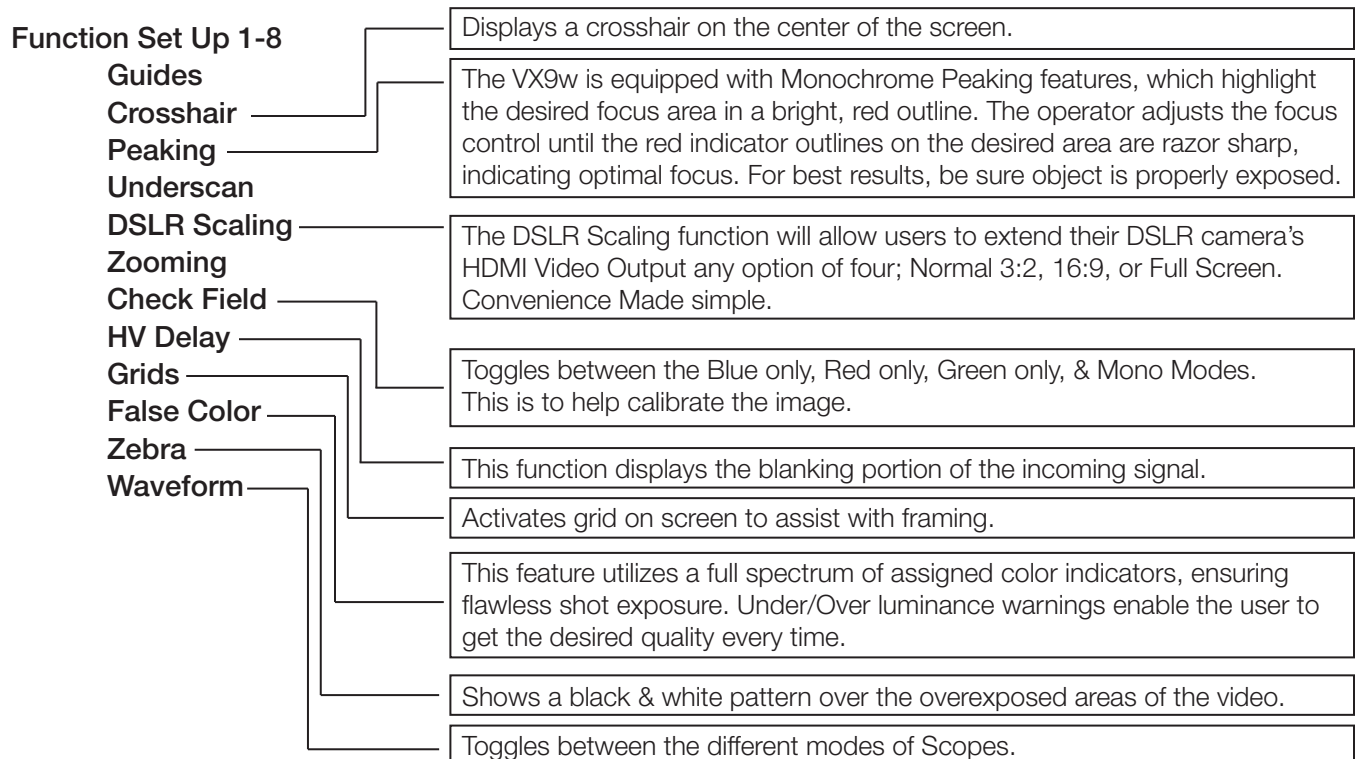
Plug the AC Adapter into the power input jack.

Attach the DV Battery Plate on the slot, and connect DV battery to the plate.

Connect a Pro Battery using the optional Pro Battery plate and then plugging that plate with the power tap cable into the DC-In connector. The pro battery plate kits (PBK17-S or PBK17-A) allow you to go into the field using standard V-Mount or Gold-Mount batteries.

Configuration of Setting Menus

Guides	Toggle between the following: 80%, 90%, 15:9, 4:3, 1.5:1, 2:1, 2.35:1
Crosshair	Activates Crosshair on center of screen.
Grids	Activates grid on the screen to assist with framing.
Video Config	Brightness: 0-100 Contrast: 0-100 Chroma: 0-100 Sharpness: 0-100 Tint: 0-100
Color Temp	5600K, 6500K, 9300K, Manual
Backlight	Allows user to fine tune the intensity of the LCD Panel's backlight.
Aspect	Allows user to change the aspect ratio of the image.
System Config	OSD - Language: Choose between English & Chinese for OSD. OSD - Duration: Choose how long the menu stays active without activity. OSD - Transparency: Choose from low, medium, high, or off. MENU Setup - Allows 5 users to save menu settings. LED Control - Toggle between LED Lights ON/OFF. Sense Keys - Future Use DSLR Auto-Scaling - Monitor Automatically scales videos from DSLRs. System Reset - Reset Settings to factory defaults. SDI Output Control - Bypass means scopes do not output through the loop out connector. Mixed means the scopes do output through the connector.



Specifications

Aspect Ratio	16 x 10	Operating Volts	DC 7v to 24v
Brightness	450 cd/m2	Outputs	3G-SDI, HDMI, Component, Composite
Build Material	Aluminum	Pixel Pitch	0.09975 x 0.09975mm
Color System	PAL/NTSC/SECAM	Power Consumption	8.5 Watt
Contrast Ratio	900:1	Resolution	1920 x 1200
Diagonal	8.9 In.	Response Time	16ms
Dimensions	9.1 x 7.0 x 1.6 In.	Screen Size	8.9 In.
Display Technology	IPS	Viewing Angle	170° Horizontal/170° Vertical
Input Voltage	DC 7v-24v	Weight	3.5 lbs
Inputs	3G-SDI, HDMI, Component, Composite	Shipping Weight	5 lbs
Operating Temperature	0°C~50°C (32°F~122°F)		

Supported Video Signals

3G-SDI	2048x1080psf @ 23.98, 24, 25, 29.97, 30 Hz
	1920x1080p @ 50, 59.94, 60 Hz (4:2:2 YCBCR)
HD-SDI	1280x720p @ 23.98, 24, 25, 29.97, 30, 50, 59.94, 60 Hz (4:4:4 YCBCR)
	1920x1080i @ 50, 59.94, 60 Hz (4:4:4 YCBCR)
	1920x1080psf @ 23.98, 24, 25, 29.97, 30 Hz (4:4:4 YCBCR)
	1920x1080p @ 23.97, 24, 25, 29.94, 30 Hz (4:4:4 YCBCR)
SD-SDI	720x480i @ 60Hz (4:2:2)
	720x576i @ 50Hz (4:2:2)
HDMI	720x480i @ 60 Hz
	720x576i @ 50 Hz
	1280x720p @ 23.97, 24, 25, 29.94, 30, 50, 59.94, 60 Hz
	1920x1080i @ 50, 59.94, 60 Hz
	1920x1080psf @ 24, 25, 29.97, 30 Hz
	1920x1080p @ 23.97, 24, 25, 29.94, 30 Hz
Component	720x480i @ 60 Hz
	720x576i @ 50 Hz
	1280x720p @ 23.97, 24, 25, 29.94, 30, 50, 59.94, 60 Hz
	1920x1080i @ 50, 59.94, 60 Hz
	1920x1080psf @ 24, 25, 29.97, 30 Hz
	1920x1080p @ 23.97, 24, 25, 29.94, 30 Hz
Composite	NTSC-M, NTSC-J, NTSC 4.43
	PAL B/G H I D, PAL M, PAL N
	SECAM

Learn More

More dynamic information at official website: www.ikancorp.com

Support

Contact email: support@ikancorp.com

CONDITIONS OF WARRANTY SERVICE

- Free service for one year from the day of purchase if the problem is caused by manufacturing errors.
- The components and maintenance service fee will be charged if the warranty period is expired.

Free Service will not be Provided in the Following Situations:(*Even if the product is still within the warranty period.)

- Damage caused by abuse or misuse, dismantling, or changes to the product not made by the company.
- Damage caused by natural disaster, abnormal voltage, and environmental factors, etc.