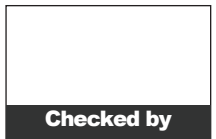


VK7

VK7 HDMI LCD Monitor QUICKSTART GUIDE



What's included

- 1 x VK7 Monitor
- 1 x AC Adapter
- 1 x Camera Shoe Mount
- 1 x DV Battery Plate (Check one) —
 - BP5-S Sony "L" Series
 - BP5-SU Sony "BP-U" Series
 - BP5-C Canon "900" Series
 - BP5-E6 Canon 5D
 - BP5-P Panasonic "D54" Series

CONDITIONS OF WARRANTY SERVICE

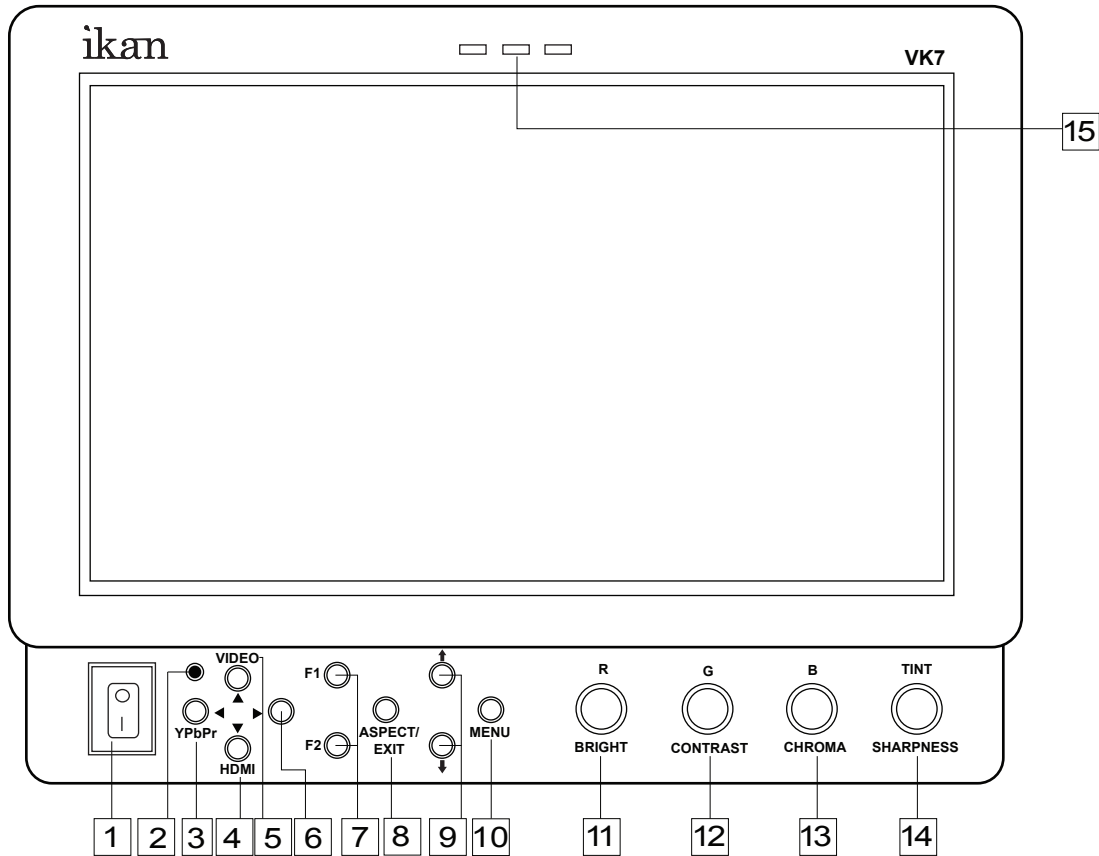
- Free service for one year from the day of purchase if the problem is caused by manufacturing errors.
- The components and maintenance service fee will be charged if the warranty period has expired.

Free Service will not be Provided in the Following Situations: (* Even if the product is still within the warranty period.)

- Damage caused by abuse or misuse, dismantling, or changes to the product not made by the company.
- Damage caused by natural disaster, abnormal voltage, and environmental factors etc.

VK7 HDMI LCD Monitor QUICKSTART GUIDE

Front view

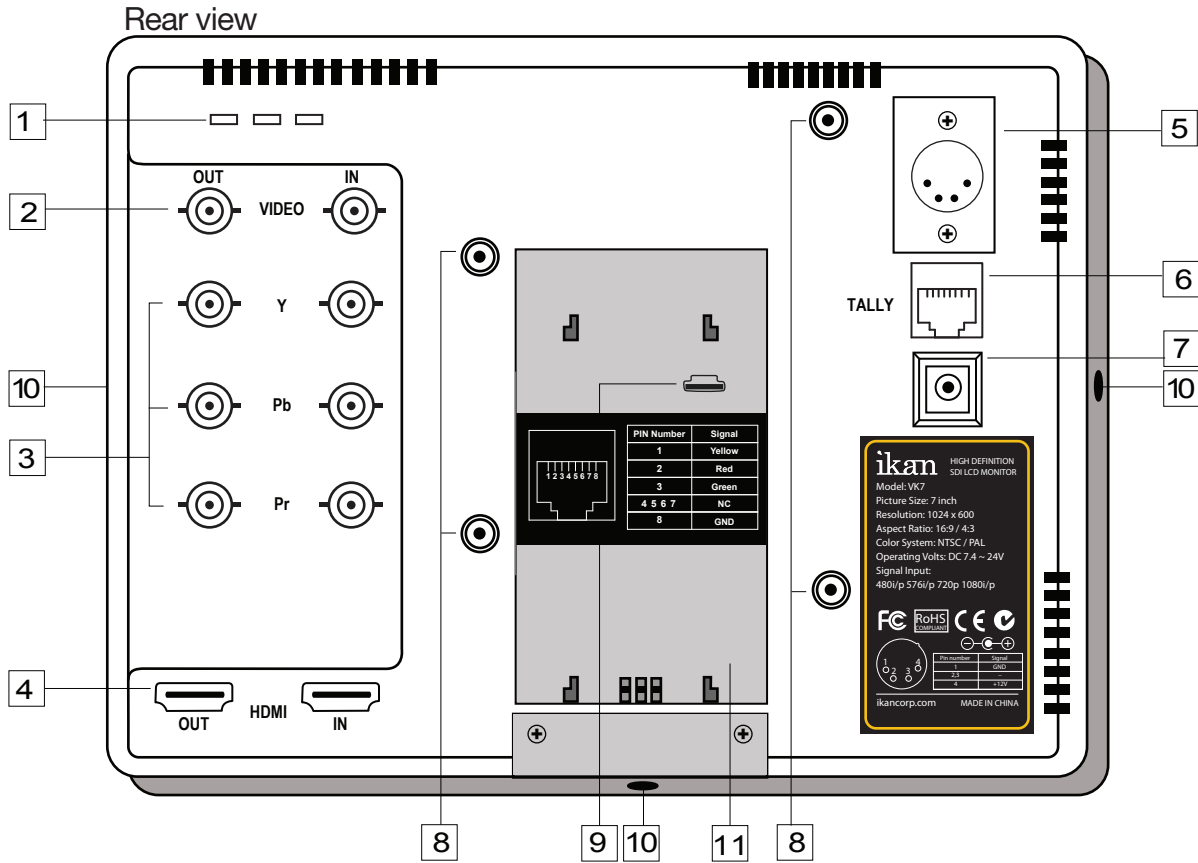


- | | |
|--|--|
| <p>1 Power Switch
Power ON / OFF</p> <p>2 Power Indicator Light
When the power is ON, the LED green lights up</p> <p>3 YPbPr / ◀ Button
Analog Component or RGB input
Toggle left in Pixel-to-Pixel setting mode</p> <p>4 HDMI / ▼ Button
High-Definition Multimedia Interface input
Toggle down in Pixel-to-Pixel setting mode</p> <p>5 VIDEO / ▲ Button
Video input
Toggle up in Pixel-to-Pixel setting mode</p> <p>6 ▶ Button
Toggle right in Pixel-to-Pixel setting mode</p> <p>7 F1 & F2 Buttons
Function key actions are selected in the menu</p> | <p>8 ASPECT/EXIT Button
Aspect: 16:9, 4:3, Full
In MENU, it is to exit the menu</p> <p>9 ↑ and ↓ Buttons
Toggle up and down in MENU setting mode</p> <p>10 MENU Button
Access to the main menu.
In MENU, push button to select menu setting</p> <p>11 BRIGHT/R Knob
Adjust brightness 0 - 100 (50)
Adjust red channel</p> <p>12 CONTRAST/G Knob
Adjust contrast 0 - 100 (50)
Adjust green channel</p> <p>13 CHROMA/B Knob
Adjust chroma 0 - 100 (50)
Adjust blue channel</p> <p>14 TINT/SHARPNESS Knob
Adjust tint 0 - 100 (50)
Adjust sharpness 0 - 100 (10)</p> <p>15 TALLY Indicator Lights</p> |
|--|--|

User programmable function buttons. For quick access, the user may program the F1 and F2 buttons to enable frequently accessed monitor features.

VK7

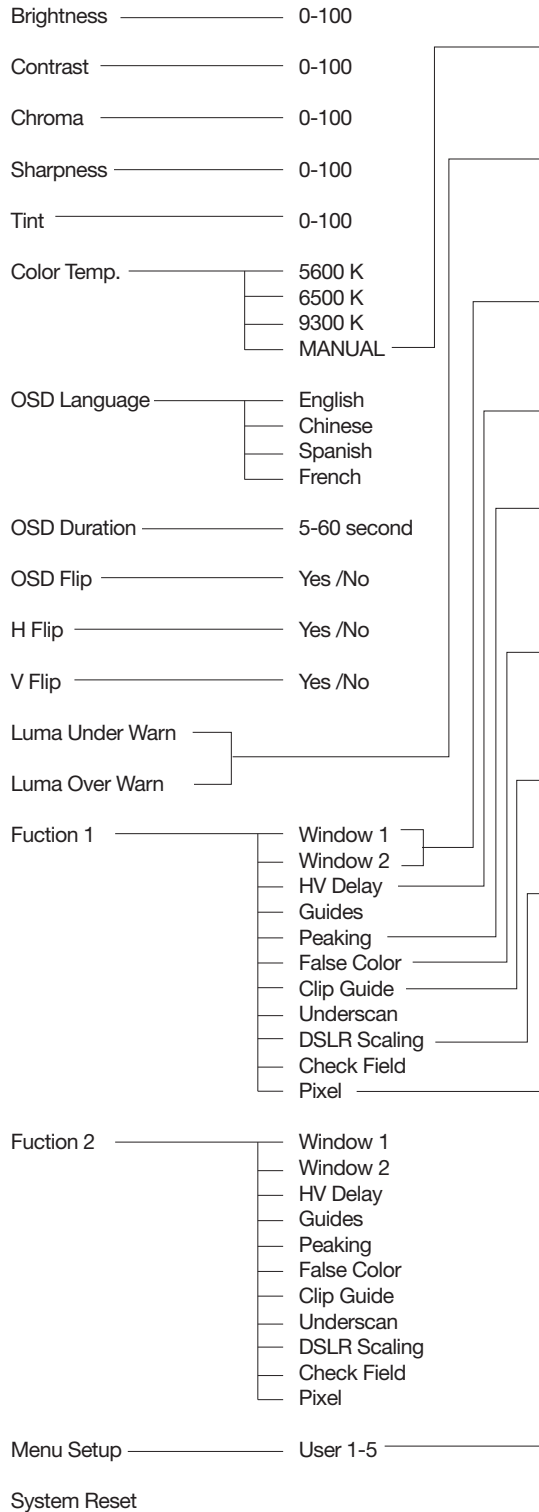
VK7 HDMI LCD Monitor QUICKSTART GUIDE



- | | |
|--|--|
| <p>1 TALLY Indicator Lights</p> <p>2 VIDEO terminal (BNC)
IN : Composite signal input terminal
OUT : Input signal through-out terminal</p> <p>3 YPbPr terminal (BNC)
IN : Component signal input terminal
OUT: : Input signal through-out terminal</p> <p>4 HDMI terminal
IN : HDMI input terminal
OUT: : Input signal through-out terminal</p> <p>5 DC 12V-24V power terminal
XLR DC Connection</p> <p>6 TALLY Input Connector
RJ45 Connection</p> <p>7 DC 7-24V power terminal
Standard DC Connection</p> | <p>8 VESA 100mm Mount Holes
Threaded for M4x.07 screws. Use to attach pro battery plate adapter or for mounting third party vesa mounts.</p> <p>9 USB terminal
For factory service use only</p> <p>10 1/4-20 Threaded insert (on three sides of monitor)
Mounting Monitor</p> <p>11 DV Battery Plate Slot
Mounting ikan DV battery plate</p> |
|--|--|

VK7 HDMI LCD Monitor QUICKSTART GUIDE

CONFIGURATION OF SETTING MENUS



The MANUAL function allows you to change the values of Red, Green, and Blue (RGB).

As an additional tool associated with the VK7's False Color feature, ikan's exclusive Adjustable Under Exposure and Over Exposed Warning feature gives the operator full control of the VK7 False Color brightness values. By setting the preferred IRE exposure limits, the operator is warned when the image exposure is exceeding or falling under the preset IRE limit, providing customizable, full image exposure control.

This function displays a side by side comparison of the incoming video signal. Pushing the F1/2 button one time will enter the mode. Each time the F1/2 button is pushed it will freeze the current frame on the right hand side of the display while the left continues to display the live signal. Pressing the exit button will exit the window mode. Use Window 1 for 16:9 signals and Window 2 for 4:3 signals.

This function displays the blanking portion of the incoming signal.

The VK7 is equipped with Monochrome Peaking features which highlight the desired focus area in a bright, red outline. The operator adjusts the focus control until the red indicator outlines on the desired area are razor sharp, indicating optimal focus. For the best results, be sure the subject is properly exposed.

The False Color feature utilizes a full spectrum of assigned color indicators, ensuring flawless shot exposure. As the camera Iris is adjusted, the subject of the image will change color based on specific brightness values indicating optimal exposure. See included chart for color assignments.

The VK7 offers adjustable upper Clip Guide levels to accurately display overexposed images in any shooting condition. The operator simply assigns the upper IRE to their preference and any exposure over the set IRE limit will flash in a vivid purple, indicating only the over exposed area.

The DSLR Scaling function will allow users to extend their DSLR camera's HDMI video output any option of four – Normal, 3:2, 16:9 or Full Screen – convenience made simple.

The LCD panel in this display has a native display of 1024 x 600 pixels. A signal of any other resolution is scaled to fit this native resolution. There may be time when it is desired to view the incoming signal without scaling. Enabling Pixel to Pixel mode turns off the scaling and displays a 1024x600 pixel window of the original image. Each pixel of the panel displays one pixel of the original image. The user may use the arrow buttons (buttons 3-6) on the monitor face to move the window left, right, up and down to see the desired portion of the image.

This function recalls user defined values settings. The user setting will remain in memory indefinitely and can be erased by using the reset option in the main menu.

VK7

VK7 HDMI LCD Monitor QUICKSTART GUIDE

FEATURES

- 1024 x 600 resolution
- Looping HDMI, Component, and Composite I/O
- False Color - Adjustable Under Luminance & Over Luminance Warning
- Clip Guide - Adjustable Threshold
- Peaking Red outline
- Under scan
- Color Temperature Presets (9300K/6500K/5600K)
- Guides (4: 3 & 16:9 Framing Safe Area)
- Check Field (Blue gun, red, green, mono)
- Side-By-Side Freeze Frame
- H/V Delay
- Aspect Ratio (FULL / 16: 9 / 4: 3)
- 5 user-defined group
- RGB Adjust
- Image Mirror/Flip
- Resolution support - 480i/p ; 576i/p ; 720p24hz 25hz 30hz 50hz 60hz 24hzsf 25hzsf; 1080i/p 24hz 25hz 30hz 50hz 60hz 24hzsf 25hzsf
- Tally system
- DSLR scaling
- Moveable pixel-to-pixel

SPECIFICATIONS

Screen Size:	Diagonal 7" LCD
Resolution:	1024 x 600
LCD Brightness:	350 NIT
Viewing angles:	140(H) 110 (V)
Operating Volts:	DC 7 to 24V
Power Consumption:	7 Watt
Video Inputs:	HDMI, Component, Composite
Video Outputs:	HDMI, Component, Composite
Dimension:	5.5"H x 7.2"W x 1.2"D
Weight:	1.2 lbs