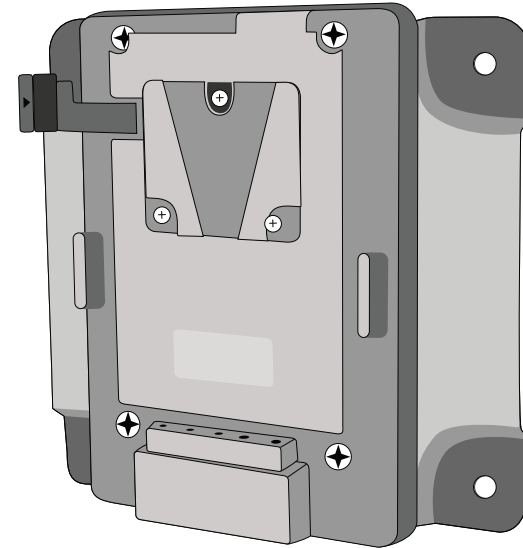
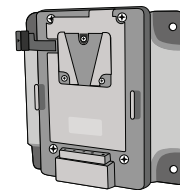


# V17PBK-S

## (V17 Pro Battery Kit) QUICKSTART GUIDE



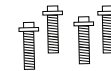
### What's included



Pro Battery Plate



DMX to Power Tab Cable



4 x M4X.07 20mm Bolt



Hex Key



### CONDITIONS OF WARRANTY SERVICE

- Free service for one year from the day of purchase if the problem is caused by manufacturing errors.
- The components and maintenance service fee will be charged if the warranty period has expired.

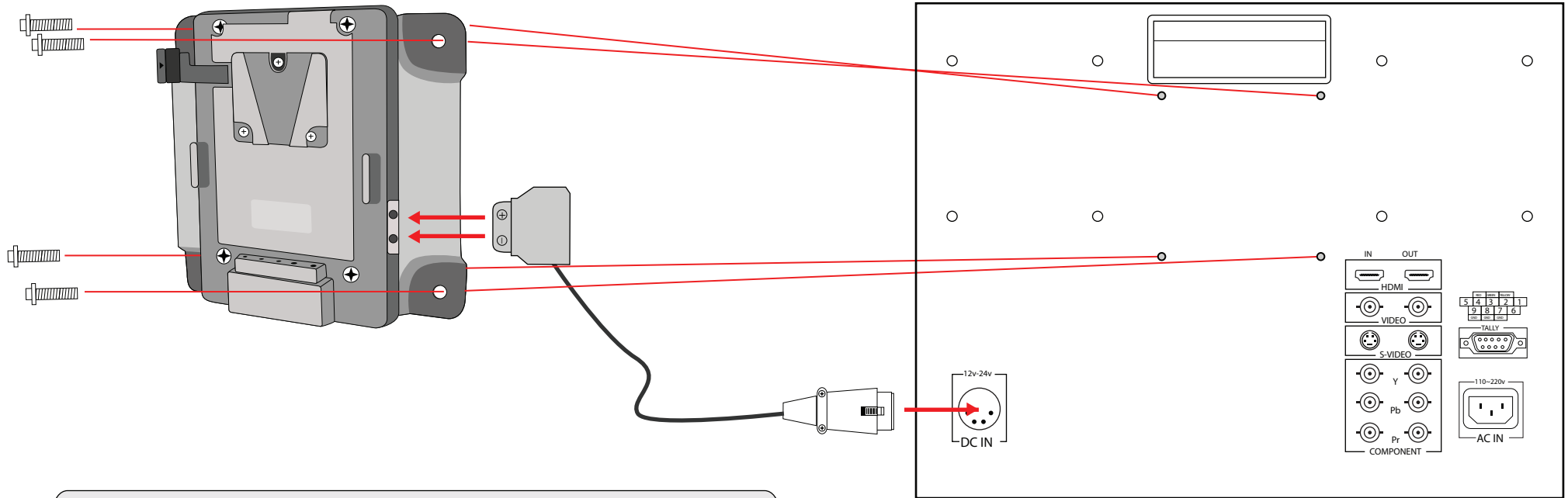
Free Service will not be Provided in the Following Situations: (\* Even if the product is still within the warranty period.)

- Damage caused by abuse or misuse, dismantling, or changes to the product not made by the company.
- Damage caused by natural disaster, abnormal voltage, and environmental factors etc.

# V17PBK-S

## (V17 Pro Battery Kit) QUICKSTART GUIDE

Connect the DMX to Power Tab Cable to the V17 monitor.



**Battery Plate**    **Connector**

**NOTE:**  
Please make sure to insert the 'D-tap Connector' correctly into the battery plate to insure the proper polarity ("D" shape of the D-tap cable to the "D" shape of the battery adapter [See diagram]). Failure to do so may result in damage to the battery plate and/or to the product or products connected to the battery plate. The ikan Corporation takes no responsibility for damage to any product occurring as a result of the incorrect insertion of the D-Tap Connector to the battery plate.

\* Please note that due to varying manufacturing tolerances and differing manufacturer's charging circuitry, it is recommend that ikan professional batteries only be used with ikan professional chargers/plates.