

# SW50-3PT-KIT

QUICKSTART GUIDE

Stryder 50W Daylight Fresnel 3-Point Kit



## What's Included

- 1 x Kit Bag
- 3 x 30 Degree Lens Adapter
- 3 x 50 Watt Light Fixture
- 3 x Barn Doors
- 3 x Compact Stands
- 3 x Power Supply
- 3 x Soft Carrying Case
- 3 x Yoke

CHECKED BY

ikan

[www.ikancorp.com](http://www.ikancorp.com)

[support@ikancorp.com](mailto:support@ikancorp.com)

713.272.8822

© 2017 ikan Corporation. All rights Reserved

## Getting started:

Thank you for buying the Stryder 50W daylight fresnel 3-point kit from Ikan. Carefully read the instructions and guide before operating the products. The guide includes important product usage and maintenance information.

All the content of this manual is based on up-to-date information; technical data is subject to change without notice.

## Safety Instructions:

1. (WARNING: YOU RISK GETTING ELECTROCUTED IF YOU DON'T FOLLOW THESE INSTRUCTIONS.) Connect the power cable to the SW50 LED Light before plugging it into the power source.
2. Don't drag cables with excessive force. Any repairs on the products should be performed by Ikan technicians. When dealing with the power cable, handle with care. Applying excessive force on the power connector can cause the power supply to short or stop working.
3. Make sure that the power is off before connecting and changing the fixture head or disconnecting your cable from the power source. We recommend using Ikan customized connecting cables and connectors to avoid electrical shock.
4. The voltage shouldn't exceed the value in the technical specifications. If the voltage is greater than or less than the regulated values, it could damage the product.

## Overview:

1. A 4-inch diameter Fresnel lens provides even, well-distributed light at a 60° beam angle.
2. The Fresnel Spot adaptor allows the beam to be reduced to a 30° spot.
3. Ultra-low noise and active cooling technology contribute to excellent thermal stability.
4. The bright LCD readout is easy to view, enabling the smooth adjustment of functions.
5. AC/DC power supply (110-220VAC / 15VDC)

## Instructions:

The LED Fresnel housing of metal with a lightweight plastic body. It's easy to transport the fixture for any shoot. The SW50 structure is illustrated as follows:

## Appearance & Structure of the Fixture

**5/8 Receiver:** Connects the lamp to stands

**30° beam adapter:** Allows the light to move from a 60° beam angle to a 30° beam angle

**4-Way Barn Doors:** Removable four way barn doors for adjusting light

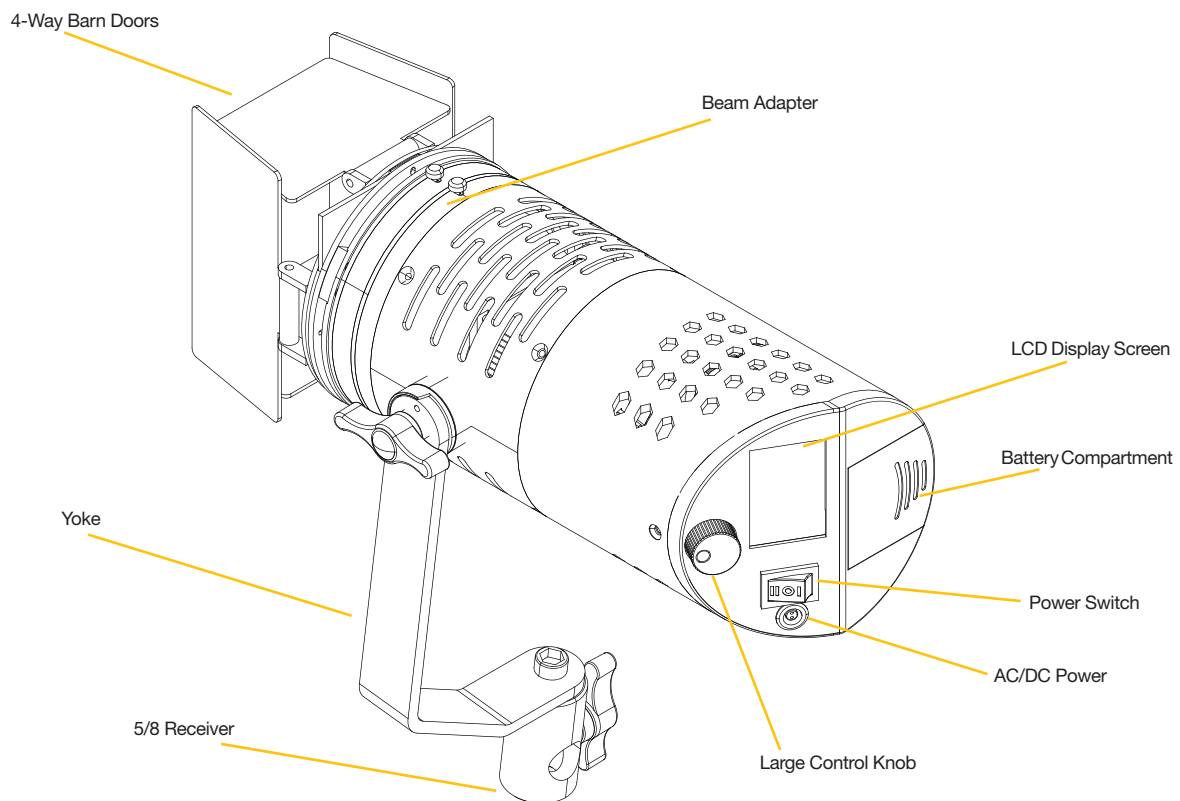
**Power switch:** Turn power to DC or BATT

**LCD Display Screen:** Displays Brightness and Battery Life

**Large Control Knob:** Allows for brightness adjustment

**Half Yoke:** Allows the light to be placed on a stand or underslung and attached to any mounting point

**AC/DC Power Connector (15VDC):** To attach the power connector for AC/DC Power.



## Installation & Power Supply

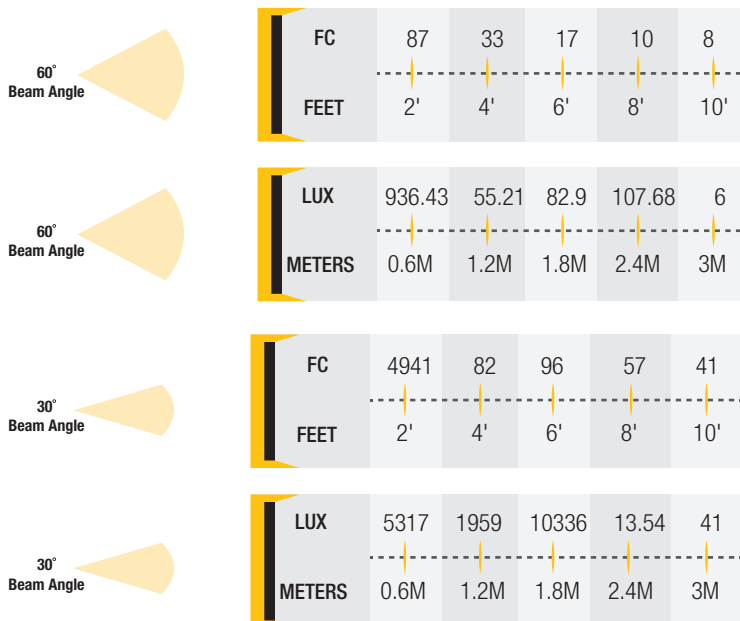
1. Make sure that the power is off before installation.
2. Place the light on the Ikan stands, release the tension knob on the 5/8" receiver, adjust the light in the desired direction, and then tighten the tension knob on the 5/8" receiver.
3. When connecting the power cords, plug the DC power cords into the socket on the rear panel (*as shown in the drawing*). Flip the power switch to DC to power up the light while plugged up to an electrical outlet.
4. When using the 18650 batteries, place the batteries into the slots following the minus and plus directions to orient the batteries correctly. Slide the battery door back into place and confirm that it is locked. Flip the power switch to BATT to power up the light. (*Note: When using the battery option, the light is only equivalent to 30 watts.*)

**Batteries NOT INCLUDED with SW50 Light Fixture**

# Specifications

Fixture Specifications	
Beam Angle	60° with adapter 30°
Build Material	Plastic & Metal
Control	Knob Control
Cooling System	Active Cooling Fan
Dimming	On-Board dimming knob 100%-0%
Fixture Size	9 x 4 x 12 in.
Fixture Weight	4 lbs
Head Type	5600K
Lens	4 in. Fresnel
Light Source	50 Watt Daylight LED
Power Supply	Input: 100-240VAC Output: 15VDC
Yoke	Cast Aluminum with 5/8" Baby Pin Receiver

## Photometrics



## Optional Accessories

- KCP-703** Stage Clamp with 16mm Stud
- CV600** Digital LED Light Meter w/ Exposure
- SW-04** Safety Wire
- CP-STND** Compact Light Stand Version 3
- PWRGP-01** Power Grip

## **Learn More**

More dynamic information at official website: [www.ikancorp.com](http://www.ikancorp.com)

## **Support**

Contact email: [support@ikancorp.com](mailto:support@ikancorp.com)

### **CONDITIONS OF WARRANTY SERVICE**

- Free service for one year from the day of purchase if the problem is caused by manufacturing errors.
- The components and maintenance service fee will be charged if the warranty period is expired.

Free Service will not be Provided in the Following Situations:(\*Even if the product is still within the warranty period.)

- Damage caused by abuse or misuse, dismantling, or changes to the product not made by the company.
- Damage caused by natural disaster, abnormal voltage, and environmental factors, etc.