

INTRODUCTION

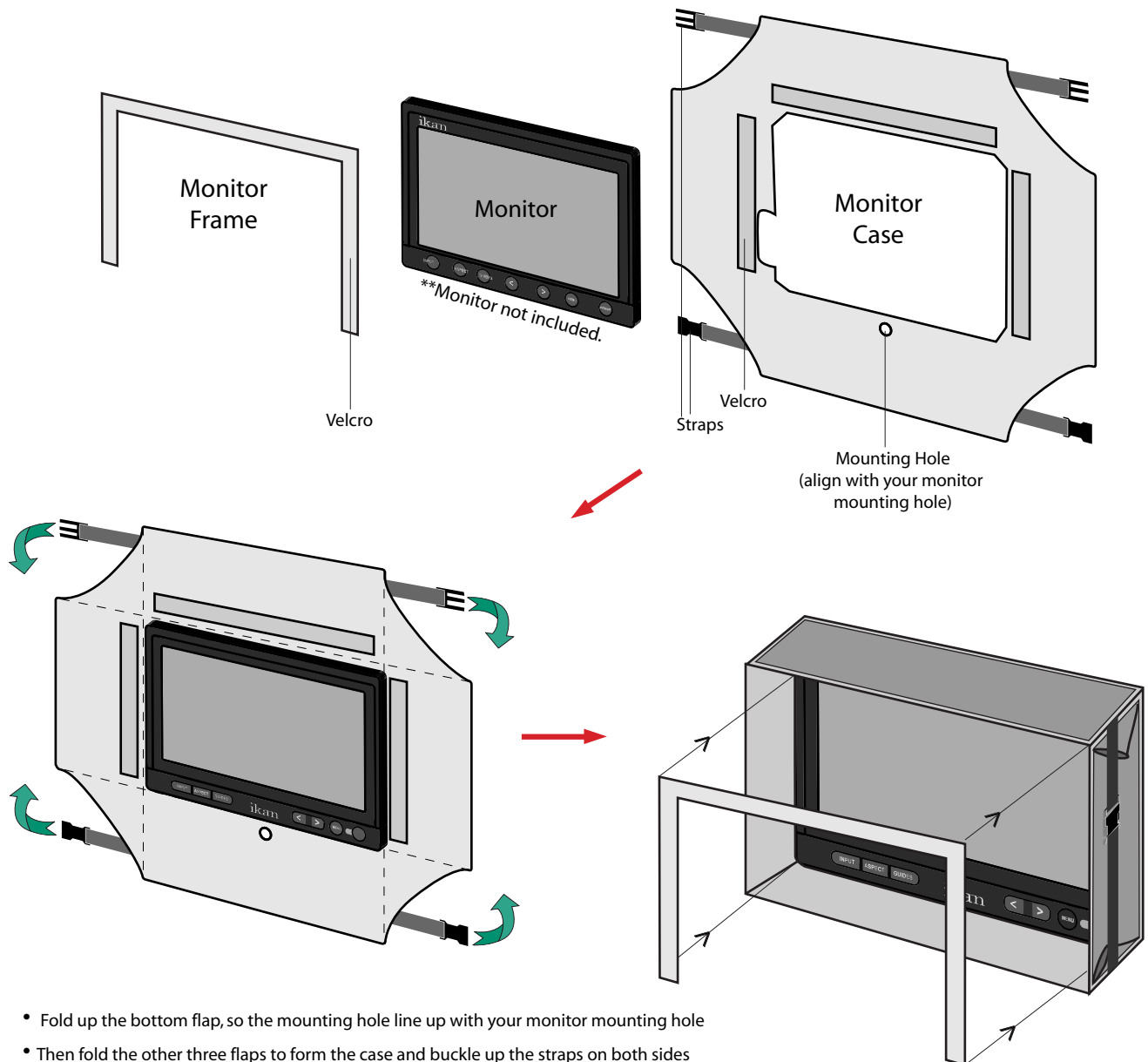
Thank you for purchasing the ikan SH56 Sunhood. The SH56 Sunhood is extremely easy to use and will quickly become an integral part of your production kit. For more information on this and many other innovative ikan products, please visit our website: www.ikancorp.com.

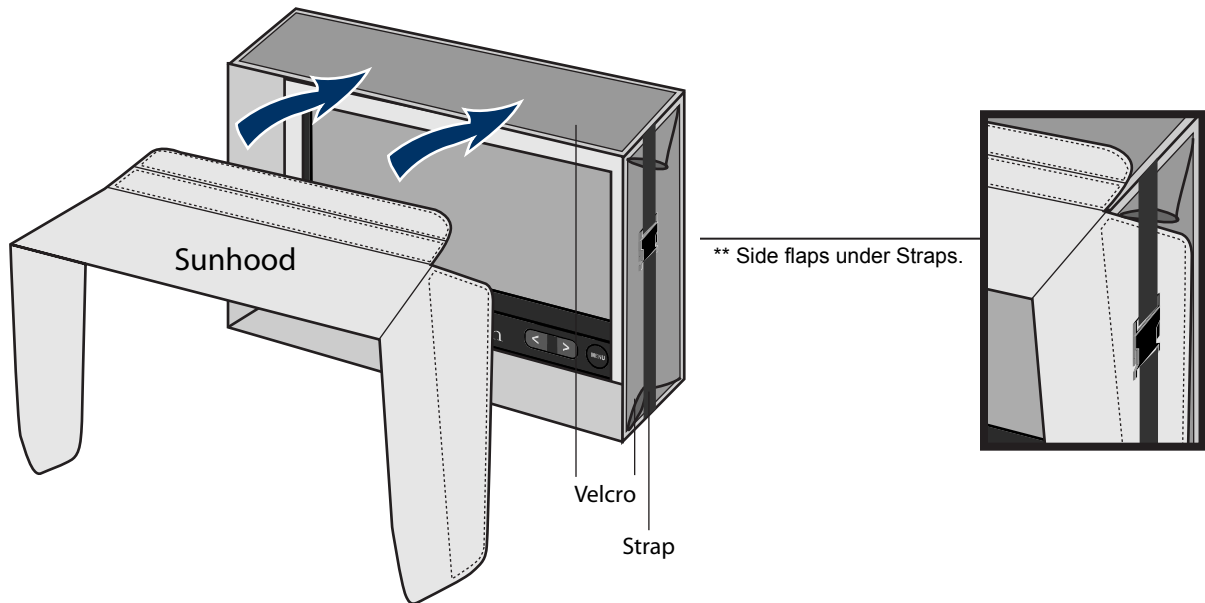
PACKAGE CHECK LIST

- Sunhood Pouch
- Monitor Case
- Monitor Frame
- Sunhood

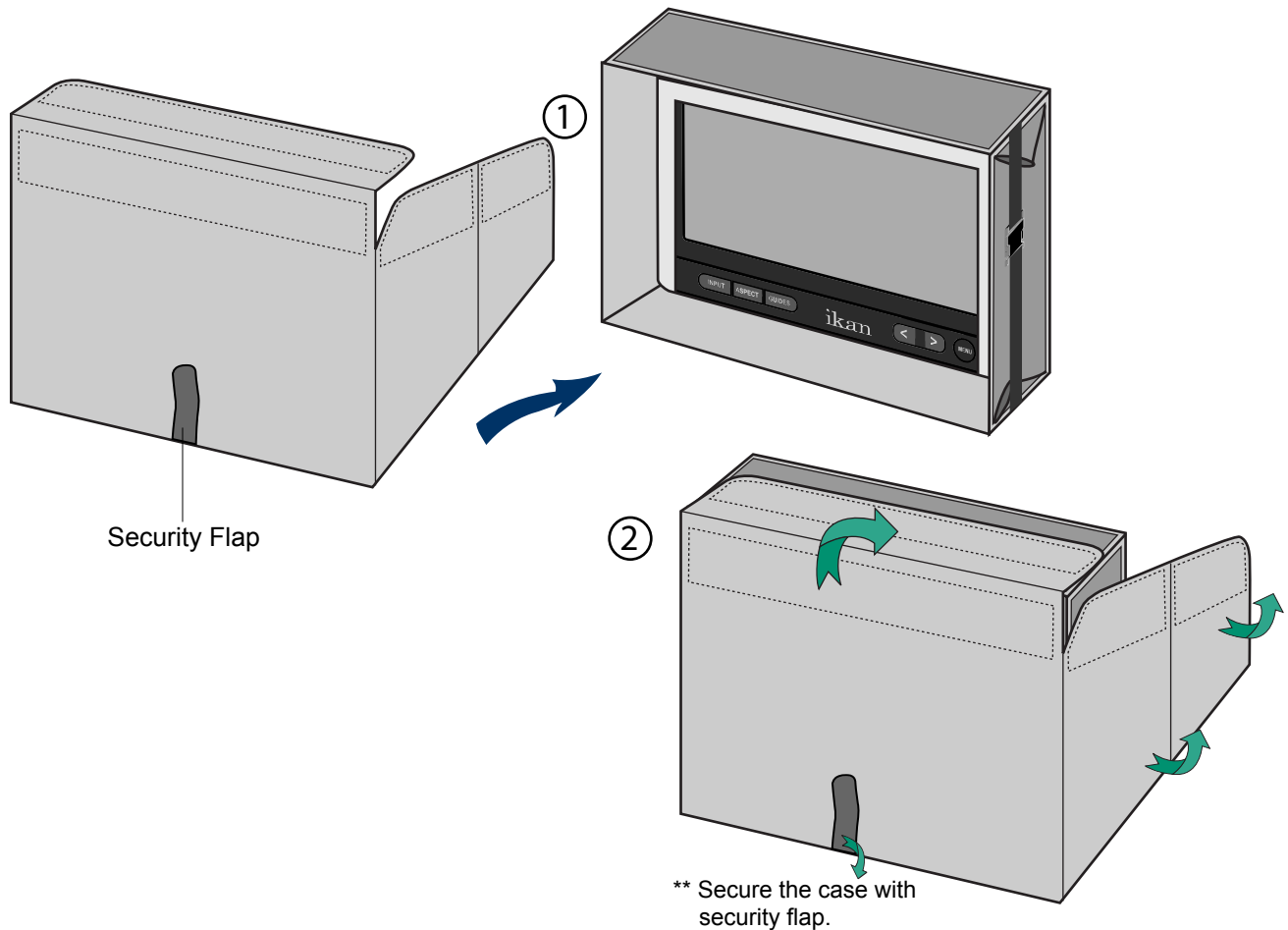


ASSEMBLY INSTRUCTION





Used As Monitor Case



CONDITIONS OF WARRANTY SERVICE

- Free service for one year from the day of purchase if the problem is caused by manufacturing errors.
- The components and maintenance service fee will be charged if the warranty period has expired.

Free Service will not be Provided in the Following Situations: (* Even if the product is still within the warranty period.)

- Damage caused by abuse or misuse, dismantling, or changes to the product not made by the company.
- Damage caused by natural disaster, abnormal voltage, and environmental factors etc.