

Rayden Bi-Color DMX Flat Panel Light



RBX5

Rayden Bi-Color LED Half x 1 Soft Light with DMX

RBX10

Rayden Bi-Color LED 1 x 1 Soft Light with DMX

What's Included

- 1 x 15V Power supply
- 1 x Yoke Mount

CHECKED BY

General Information

Thank you for buying the ikan Rayden Bi-Color DMX512 LED Lights. This fixture has been designed to perform reliably for years when the guidelines in this booklet are followed. Please read and understand the instructions in this manual carefully and thoroughly before attempting to operate this unit. These instructions contain important information regarding safety during use and maintenance.

Every fixture has been thoroughly tested. Carefully check the shipping carton for damage that may have occurred during shipping. If the carton appears to be damaged, carefully inspect your unit for damage and be sure all accessories necessary to operate the unit have arrived intact. In the event damage has been found or parts are missing, please contact our customer support team for further instructions. Please do not return this unit to your dealer without first contacting customer support at the number listed below. Please do not discard the shipping carton in the trash. Please recycle whenever possible.

Safety Instructions:

This fixture is an extremely sophisticated piece of electronic equipment. To guarantee a smooth operation, it is important to follow the guidelines in this manual. The manufacturer of this device will not accept responsibility for damages resulting from the misuse of this fixture due to the disregard of the information printed in this manual.

This device falls under PROTECTION CLASS 1. It's essential this device be grounded properly. Only qualified personnel should perform all electrical connections.

INDOOR USE ONLY! **DO NOT EXPOSE FIXTURE TO RAIN AND/OR MOISTURE!!** **DO NOT PLUG FIXTURE INTO A DIMMER PACK!**

For proper operation, follow the Installation guidelines described in this manual. Only qualified and certified personnel should perform installation of this fixture and only the original rigging parts (yoke) included with this fixture should be used for installation. Any modifications will void the original manufacturer's warranty and increase the risk of damage and/or personal injury. Never look directly into the light source of this fixture to prevent risk of injury to your retina, which may induce blindness.

Always disconnect from main power source before performing any type of service and/or cleaning procedure. Only handle the power supply by the plug end, never pull out the plug by tugging the wire portion of the cord.

Do not operate this fixture if the power cord has become frayed, crimped and/or damaged. If the power cord is damaged, replace it immediately with a new one of similar power rating.

General Guidelines:

NEVER OPEN THIS FIXTURE WHILE IN USE!!

Please make sure there are **NO FLAMMABLE MATERIALS** close to the fixture while operating, to prevent any fire hazard.

The fixture must be installed in a location with adequate ventilation, at least 1.5 feet (.5m) from adjacent surfaces. Be sure no air ventilation slots are blocked.

DO NOT attempt installation and/or operation without knowledge of how to do so.

DO NOT permit operation by persons who are not qualified to operate this type of fixture. Most damages are the result of operations by nonprofessionals.

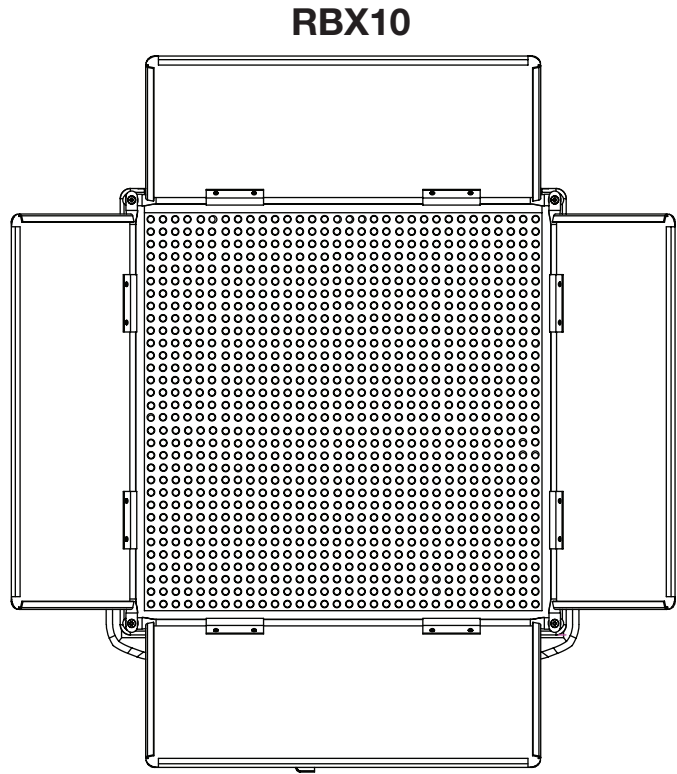
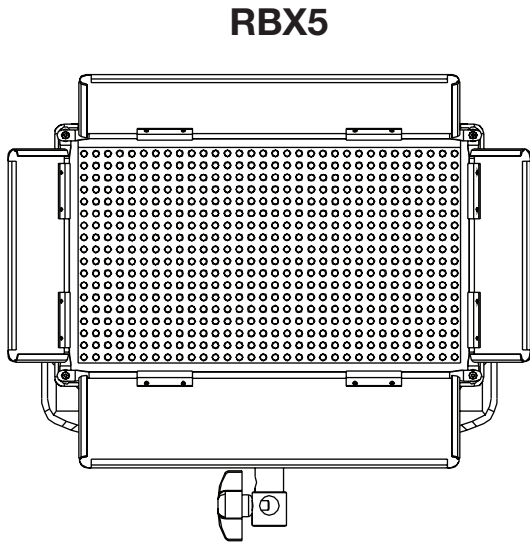
Consistent operational breaks may ensure the fixture will function properly for many years to come.

DO NOT shake fixture and avoid brute force when installing and/or operating the fixture.

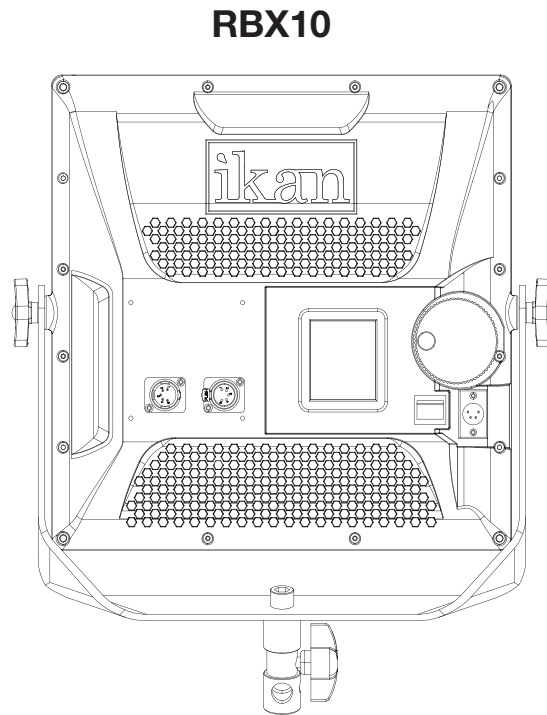
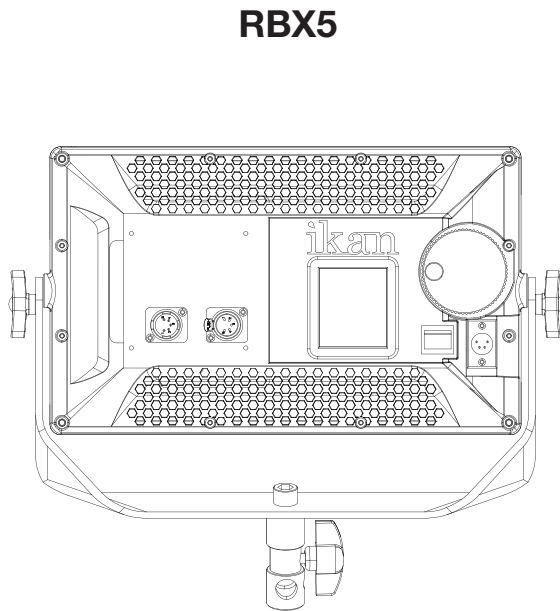
Always install the fixture with an appropriate safety cable. When installing the fixture in a suspended environment, always use correct mounting hardware that can be inserted into the Baby 1/8" or Junior 1-1/8" combo pin adapter.

Use the original packaging and materials to transport the fixture in for service.

Fixture Overview (Front)



Fixture Overview (Back)



Fixture Menu

ON-BOARD SYSTEM MENU

The fixture comes with an easy to navigate system menu. The next section will detail the functions of each command in the system menu.

LCD MENU CONTROL KNOB

The control knob allows for local control as well as control from DMX board. The local control gives the user adjustment from 10%-100% in brightness. On Bi-Color fixtures, the local knob gives the user the ability to switch from 5600K-3200K just by pressing down on the large yellow dial. The user can also adjust the DMX channels 1 thru 512 by pressing down again on the large yellow dial.

DMX Channel

The DMX512 channel selection can be made from the back of the fixture using the large yellow knob to dial in the correct DMX number. When a DMX signal is detected on the fixture, all other controls are closed down and only DMX channel control can be selected on the rear of the fixture.

Depending on the DMX channel selected a bi-color light will require two channels for use on the DMX board. 100% will be the 5600K color output. 0% will be the 3200K color output. The middle position will be 4600K color output. Example:

Channel	Brightness	Color
5 & 6	Channel 5	Channel 6

Cleaning & Maintenance

CAUTION!
DISCONNECT POWER BEFORE CLEANING OR MAINTENANCE!

CLEANING

Frequent cleaning is recommended to insure proper function, optimized light output, and an extended life. The frequency of cleaning depends on the environment in which the fixture operates: damp, smoky, or particularly dirty environments can cause greater accumulation of dirt on the fixture.

Never use alcohol, solvents, or ammonia-based cleaners.

MAINTENANCE

Regular inspections are recommended to insure proper function and extended life. There are no user serviceable parts inside this fixture. Please refer all other service issues to an authorized ikan service technician. Should you need any spare parts, please order genuine parts from your local ikan dealer.

Please refer to the following points during routine inspections:

Be sure all screws and fasteners are securely tightened at all times. Loose screws may fall out during normal operation resulting in damage or injury as larger parts could fall. Check for any deformations on the housing, rigging hardware and rigging points (ceiling, suspension, trussing). Deformations in the housing could allow for dust to enter into the fixture. Damaged rigging points or unsecured rigging could cause the fixture to fall and seriously injure a person(s). Electric power supplies and cables must not show any damage or fraying.

Never remove the ground prong from the power cable.

Specifications

RBX5 Fixture Specifications	
Light Source	608 0.06 watt LEDs
Head Type	Bi-Color 5600K-3200K
Lens	45°
Beam Angle	50°
Control / Dimming	Knob Control
Build Material	Heavy Duty Resin Plastic
Cooling System	Passive Cooling
Yoke	Baby 5/8" -- Junior 1 1/8" Combo Pin
Fixture Size	14 x 8 x 3 in.
Fixture Weight	4 lbs

RBX10 Fixture Specifications	
Light Source	1184 0.06 watt LEDs
Head Type	Bi-Color 5600K-3200K
Lens	45°
Beam Angle	50°
Control / Dimming	Knob Control
Build Material	Heavy Duty Resin Plastic
Cooling System	Passive Cooling
Yoke	Baby 5/8" -- Junior 1 1/8" Combo Pin
Fixture Size	14 x 14 x 3 in.
Fixture Weight	6 lbs

RBX5 Electrical Specifications	
Power Supply	Input: 110-220VAC Output: 15VDC
Power Consumption	36.4W; 14-18VDC

RBX10 Electrical Specifications	
Power Supply	Input: 110-220VAC Output: 15VDC
Power Consumption	71W; 14-18VDC

Optional Accessories

Some other products that work well with the Rayden DMX Lights available from Ikan include:

CV600	Digital LED Light Meter with Exposure & Spectrometer
CP-STND-V3	Compact Light Stand Version 3
KCP-703	Stage Clamp with 16mm Stud
PWRGP-01	Power Grip
ROLLR-STND10	2-Stage Roller Stand 10ft 6in
SW-04	Safety Wire
IDX-096	96 Channel DMX Console

Learn More

More dynamic information at official website: www.ikancorp.com

Support

Contact email: support@ikancorp.com

Ikan: and all affiliated companies hereby disclaim any and all liabilities for property, equipment, building, and electrical damages, injuries to any persons, and direct or indirect economic loss associated with the use or reliance of any information contained within this document, and/or as a result of the improper, unsafe, insufficient and negligent assembly, installation, rigging, and operation of this product.

CONDITIONS OF WARRANTY SERVICE

- Free service for one year from the day of purchase if the problem is caused by manufacturing errors.
- The components and maintenance service fee will be charged if the warranty period is expired.

Free Service will not be Provided in the Following Situations:(*Even if the product is still within the warranty period.)

- Damage caused by abuse or misuse, dismantling, or changes to the product not made by the company.
- Damage caused by natural disaster, abnormal voltage, and environmental factors, etc.