

# RS-F200

Red Star 6" LED Tungsten Fresnel 200 Watt Light

## QUICK START GUIDE



### What's Included

- 1 x Light Fixture
- 2 x Cork Washers
- 2 x Metal Grip Washers
- 1 x Yoke
- 1 x Barn Door
- 1 x Power Cord
- 2 x Tightening Knobs

|                   |
|-------------------|
|                   |
| <b>CHECKED BY</b> |

ikan

[www.ikancorp.com](http://www.ikancorp.com)

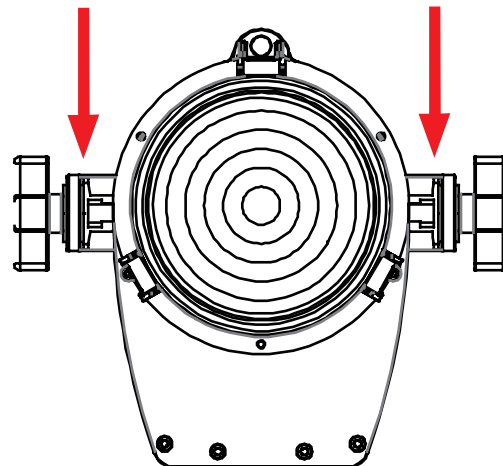
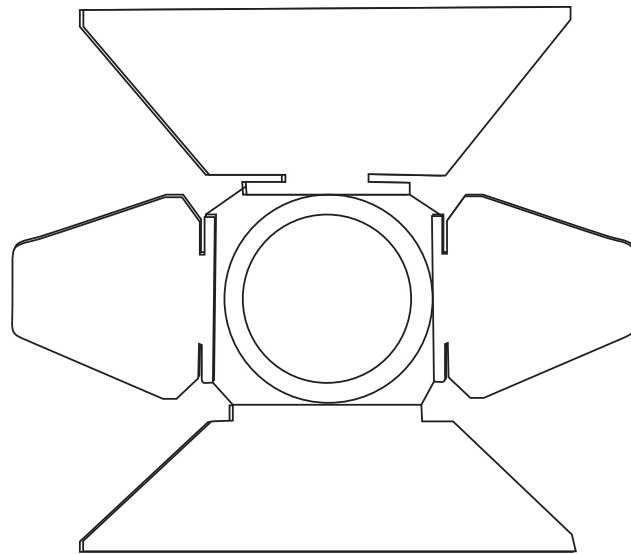
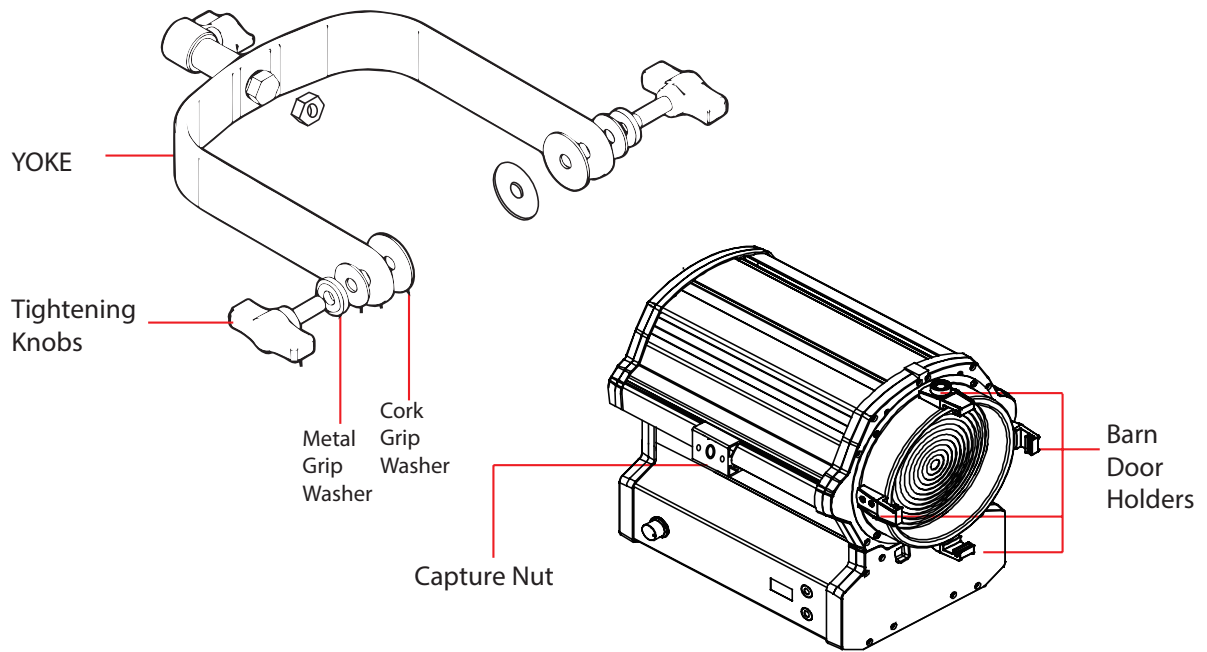
[support@ikancorp.com](mailto:support@ikancorp.com)

713.272.8822

© 2015 ikan Corporation. All rights Reserved

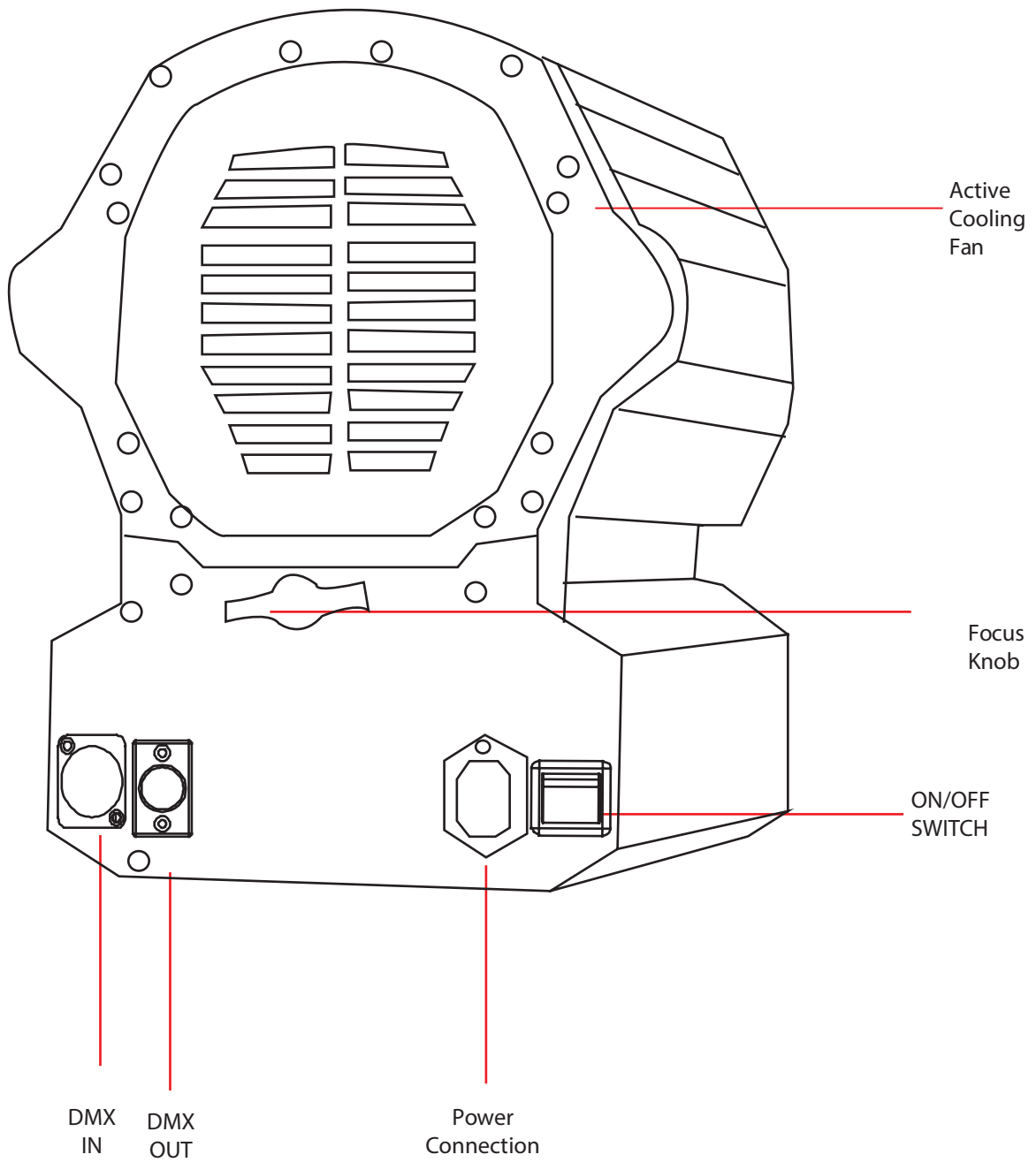
# RS-F200

## Getting Started



# RS-F200

## Getting Started



## Specifications

| Product Specs       |   |
|---------------------|---|
| Beam Angle          | 15°-50°   |
| Build Material      | Aluminum  |
| Control             | DMX512 in and out / Toggle Button DMX Control   |
| Cooling System      | Active Cooling Fan                              |
| Dimming             | 100-0% Onboard Dimming Knob DMX Dimmer          |
| Focusing            | Rotating Rear Knob                              |
| Head Type           | Tungsten (3200K)                                |
| Lens                | 6" Glass Fresnel                                |
| Light Source        | 1-200 watt Tungsten LED 5600K                   |
| Power Supply        | 6' Power Cable                                  |
| Rating              | AC volts 120v / 50-60 Hz / 150 watts 63-14 Amps |
| Fixture Size        | 13" x 10" x 12"                                 |
| Shipping Weight     | 15 lbs  |
| Shipping Dimensions | 18" x 15" x 17"                                 |
| Yoke                | Cast Aluminum w/ 1.125" pin                     |

## Optional Accessories



**MK350**  
MK350 Spectrometer  
from UPRtek



**IDM-1204**  
12 Channel DMX Console



**KCP-703**  
Stage Clamp w/ 16mm Stud



**SW-04**  
Safety Wire

## Learn More

More dynamic information at official website: [www.ikancorp.com](http://www.ikancorp.com)

## Support

Contact email: [support@ikancorp.com](mailto:support@ikancorp.com)

### CONDITIONS OF WARRANTY SERVICE

- Free service for one year from the day of purchase if the problem is caused by manufacturing errors.
- The components and maintenance service fee will be charged if the warranty period is expired.

Free Service will not be Provided in the Following Situations:(\*Even if the product is still within the warranty period.)

- Damage caused by abuse or misuse, dismantling, or changes to the product not made by the company.
- Damage caused by natural disaster, abnormal voltage, and environmental factors, etc.