

## High Bright Beam Splitter Teleprompter



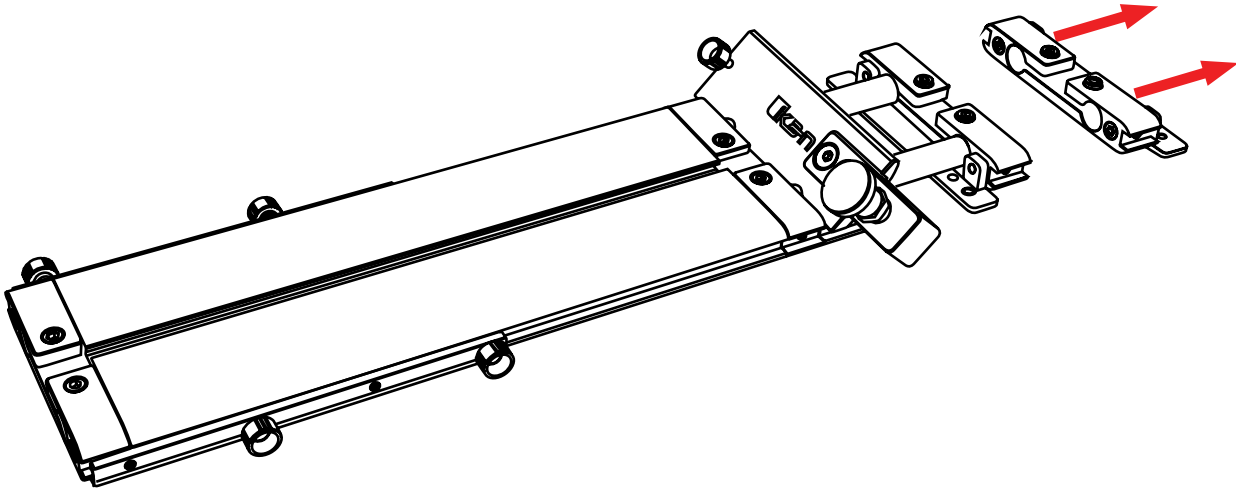
### What's Included

- 1 x Teleprompter Base
- 1 x Bracket with Glass
- 1 x Teleprompter Hood with Boot
- 1 x Monitor
- 1 x AC Adapter with Cord
- 1 x PrompterPro Software
- 1 x Counterweight Set (2 x 2.5 lbs)
- 2 x D-Ring 1/4-20" Screws
- 2 x Hex Keys
- 3 x Different Height Risers

# Assembly Steps

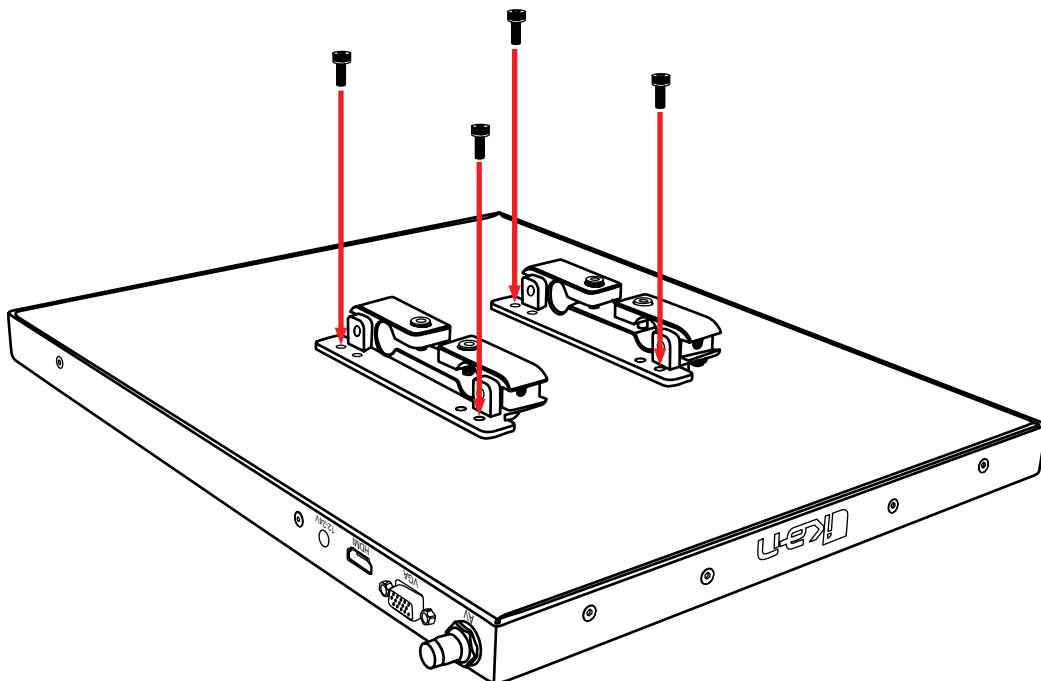
## Step 1

Remove the monitor mounts from the teleprompter base using the included larger 4mm hex key to loosen from the 15mm rods.



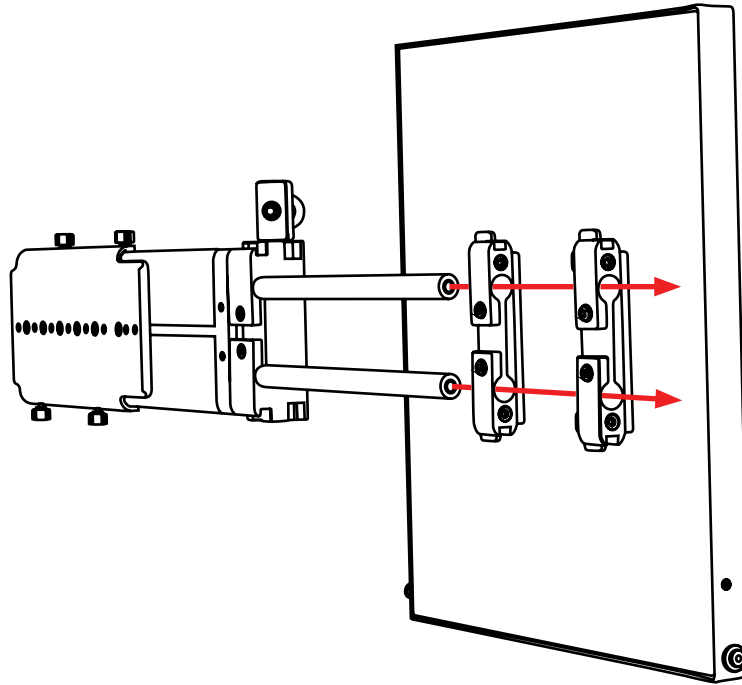
## Step 2

Attach the monitor mounts on the back of the monitor's VESA compatible threads using the 4 included screws and provided 2mm hex key.



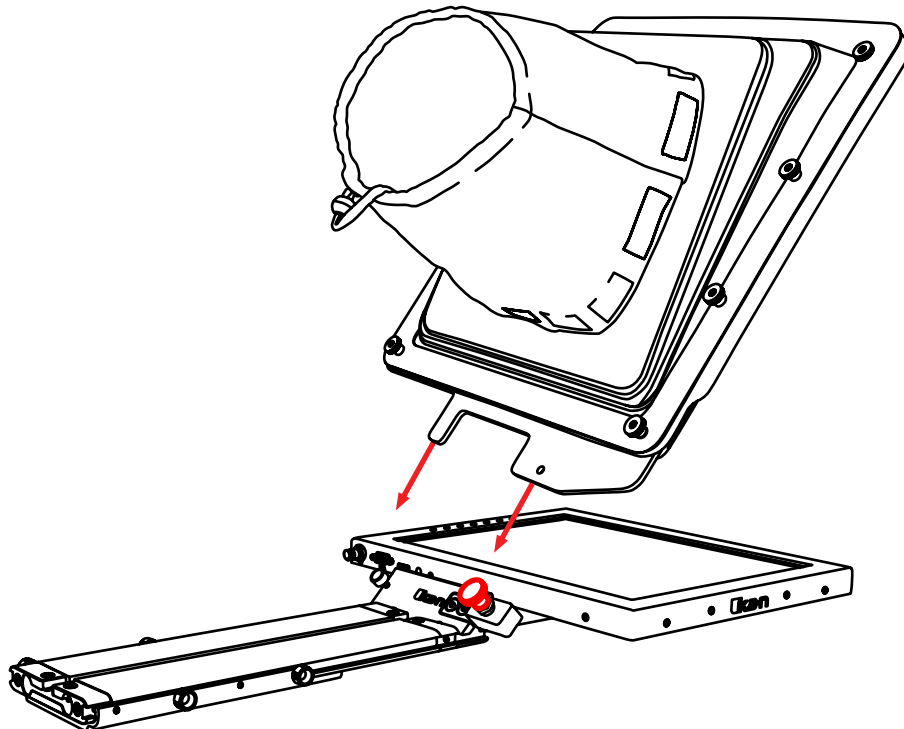
### Step 3

After the monitor mounts are attached, adjust the 15mm rods to accommodate the monitor. Leave about 1 inch of room for the teleprompter bracket. Make sure the 15mm rods go through both set of monitor mounts.



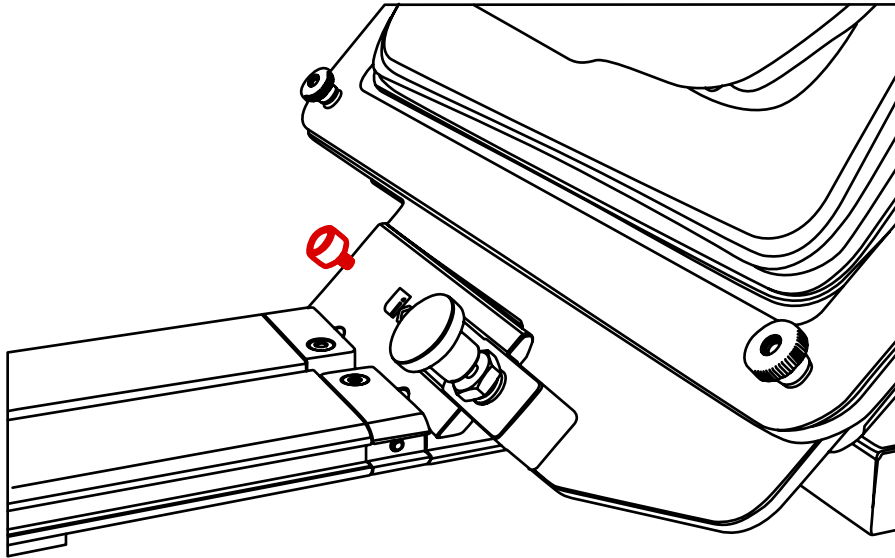
### Step 4

While sliding the teleprompter bracket into the slot of the teleprompter base pull on the red knob to allow the bracket to fully slide in.



## Step 5

Once the bracket is in place, tighten the side screw to lock in place. Double check and make sure all the screws are tightened with the included hex keys.



## Step 6 (optional)

Should the teleprompter be too front heavy, you can attach the included counter weight on the back of the teleprompter base.

# Specifications

## PT4500

Aspect Ratio	4:3
Backlight	LED
Brightness	1000 nits
Build Material	Aluminum
Diagonal	15"
Input Signal	Composite BNC, VGA, HDMI
Input Voltage	DC 12v / 4A
Power Consumption	10W
Reading Range	17'
Resolution	1920 x 1080
Viewing Angle	160° (H) / 170° (V)
Weight	22 lb
Shipping Weight	28 lb
Shipping Dimensions	25 x 20 x 15.5 in

## PT4700

Aspect Ratio	4:3
Backlight	LED
Brightness	1000 nits
Build Material	Aluminum / Steel
Diagonal	17"
Input Signal	Composite BNC, VGA, HDMI
Input Voltage	DC 12v / 4A
Power Consumption	10W
Reading Range	20'
Resolution	1920 x 1080
Viewing Angle	160° (H) / 170° (V)
Weight	23 lb
Shipping Weight	29 lb
Shipping Dimensions	25 x 20 x 15.5 in

## Optional Accessories

- PT4500-G** Replacement Glass for both PT4500 / PT4700
- PT15-HB** 15" High Bright Monitor (for PT4500)
- PT17-HB** 17" High Bright Monitor (for PT4700)
- PT-CASE-V2** Rolling Hard Case for PT4500/PT4700 Teleprompter



## Learn More

More dynamic information at official website: [www.ikancorp.com](http://www.ikancorp.com)

## Support

Contact email: [support@ikancorp.com](mailto:support@ikancorp.com)

---

### CONDITIONS OF WARRANTY SERVICE

- Free service for one year from the day of purchase if the problem is caused by manufacturing errors.
- The components and maintenance service fee will be charged if the warranty period is expired.

#### **Free Service will not be Provided in the Following Situations:(\*Even if the product is still within the warranty period.)**

- Damage caused by abuse or misuse, dismantling, or changes to the product not made by the company.
- Damage caused by natural disaster, abnormal voltage, and environmental factors, etc.

©2018 ikan Corporation. All rights reserved

