

# PT1200-LS



12" Portable Teleprompter for Light Stand

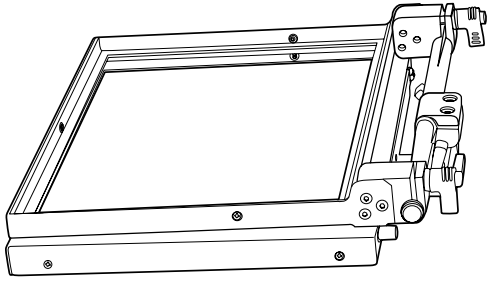


## What's Included

- 1 x AC Power Supply
- 1 x Magnetic Glass Frame / Monitor Assembly
- 1 x Magnetic Hood
- 1 x PrompterPro Software
- 1 x Monitor



## What's Included



Glass Frame / Monitor Assembly



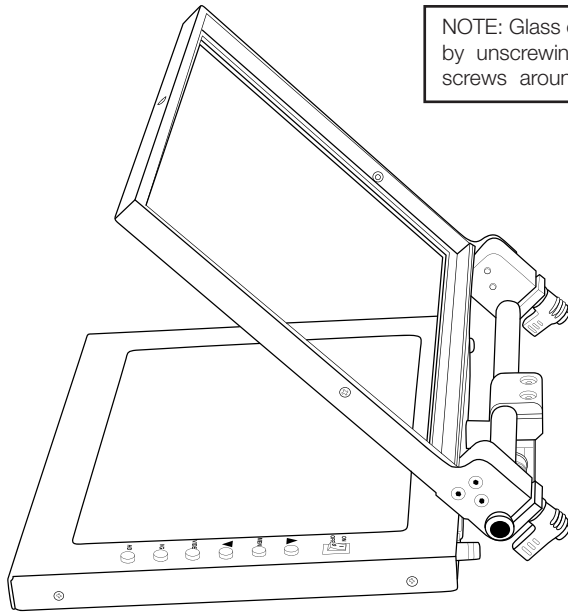
Magnetic Sunhood



PrompterPro Software

Custom cut foam for hard case

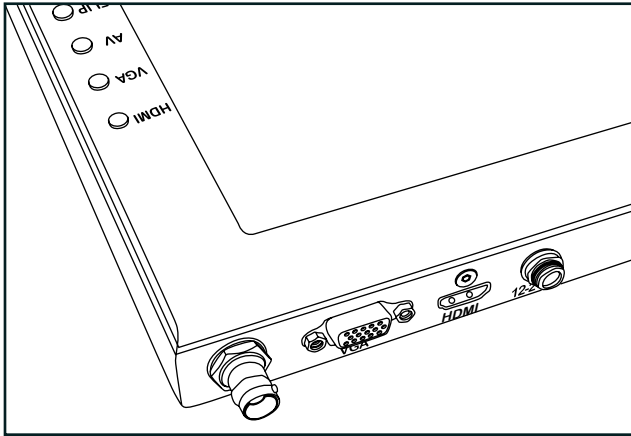
## Getting Started



NOTE: Glass can be removed by unscrewing the three (3) screws around glass frame.

- Tighten & loosen thumb screw to adjust glass frame.
- The ideal angle is 45 Degrees.

## Monitor Ports



- BNC – AV Composite Input
- VGA – Video Graphics Array DE15 Connection
- HDMI – High-Definition Multimedia Interface Input Connection
- Power Port – 12-24v Input

## Monitor Menu Settings

### Video Config

- Contrast (White Level)
- Brightness (Black Level)
- Tint (Chroma Hue)
- Chroma (Chroma Saturation)
- Sharpness (Detail)
- RGB Setup – Manually configure RGB
- Return

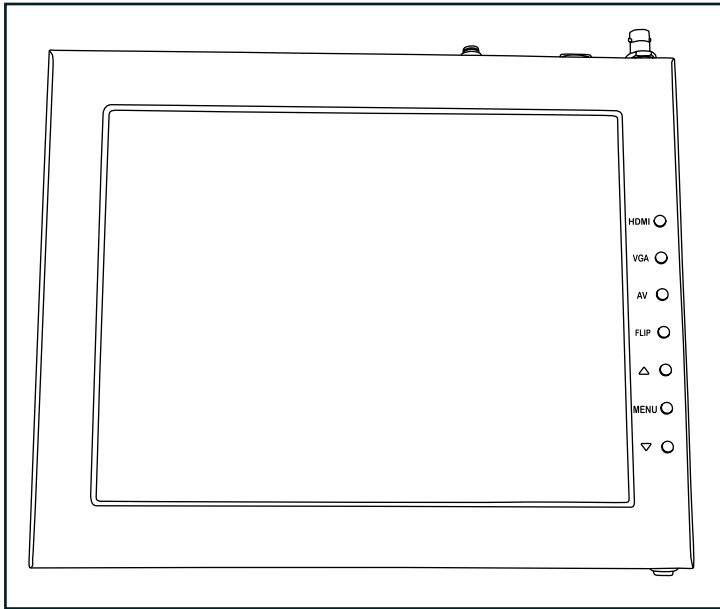
### System Config

- Menu Duration – Set duration of how long menu stays on screen
- Video Ratio – Set screen aspect ratio 16:9 or 4:3 (4:3 is native resolution, 16:9 will create black bars)
- Flip-H – Assign toggle button to flip image horizontally
- Flip-V – Assign toggle button to flip image vertically
- Reset – Factory reset
- Return

### PC Setup (Only available for VGA)

- H-Position – Adjust horizontal position
- V-Position – Adjust vertical position
- Auto – Monitor automatically adjust position
- Return

### Exit



- HDMI – Switch HDMI input
- VGA – Switch to VGA input
- AV – Switch to composite BNC input
- Flip – Toggle image flip  
(Can be set to horizontal, vertical, or both via menu)
- Up Arrow – Toggle up to adjust setting
- Menu – Access to monitor settings
- Down Arrow – Toggle down to adjust setting



- Attach magnetic hood to glass frame.

- Make sure adjustable thumb screws are tight.

### **DON'T THROW AWAY THE FOAM INSERT!**

- The PT1200 comes packaged in high-quality, custom-cut foam. It is sized perfectly to fit inside an SKB iSeries 1914-8 water-proof case.

## Specifications

Fixture Specifications	
Aspect Ratio	4:3
Brightness	350 cd/m2
Build Material	Aluminum / Steel
Contrast Ratio	500:1
Diagonal	12 in.
Dimensions	22 x 10.5 x 12 in
Input Signal	Composite BNC, VGA, HDMI
Reading Range	20 ft
Resolution	1024 x 768
Weight	10.5 lbs
Viewing Angle	Horizontal: 160° Vertical: 140°
Shipping Dimensions	7 x 16 x 20 in.
Shipping Weight	18 lbs

## Learn More

More dynamic information at official website: [www.ikancorp.com](http://www.ikancorp.com)

## Support

Contact email: [support@ikancorp.com](mailto:support@ikancorp.com)

---

### CONDITIONS OF WARRANTY SERVICE

- Free service for one year from the day of purchase if the problem is caused by manufacturing errors.
- The components and maintenance service fee will be charged if the warranty period is expired.

#### **Free Service will not be Provided in the Following Situations:(\*Even if the product is still within the warranty period.)**

- Damage caused by abuse or misuse, dismantling, or changes to the product not made by the company.
- Damage caused by natural disaster, abnormal voltage, and environmental factors, etc.

©2018 ikan Corporation. All rights reserved

