

PT-ELITE-UL-RC

Elite Large Universal Tablet Teleprompter Kit w/ Elite Remote

QUICKSTART GUIDE



What's Included

- 1 x Glass Frame
- 1 x Hood
- 1 x 30/70 Prompter Glass
- 1 x EV2 Adjustable Camcorder Base (Large)
- 1 x Large Tablet Teleprompter Mount
- 1 x HEX Key 3mm
- 1 x HEX Key 1/8 In.
- 2 x D-Ring
- 2 x 4mmx10mm Socket Head Countersink Screw
- 1 x Elite Remote

ikan

www.ikancorp.com

support@ikancorp.com

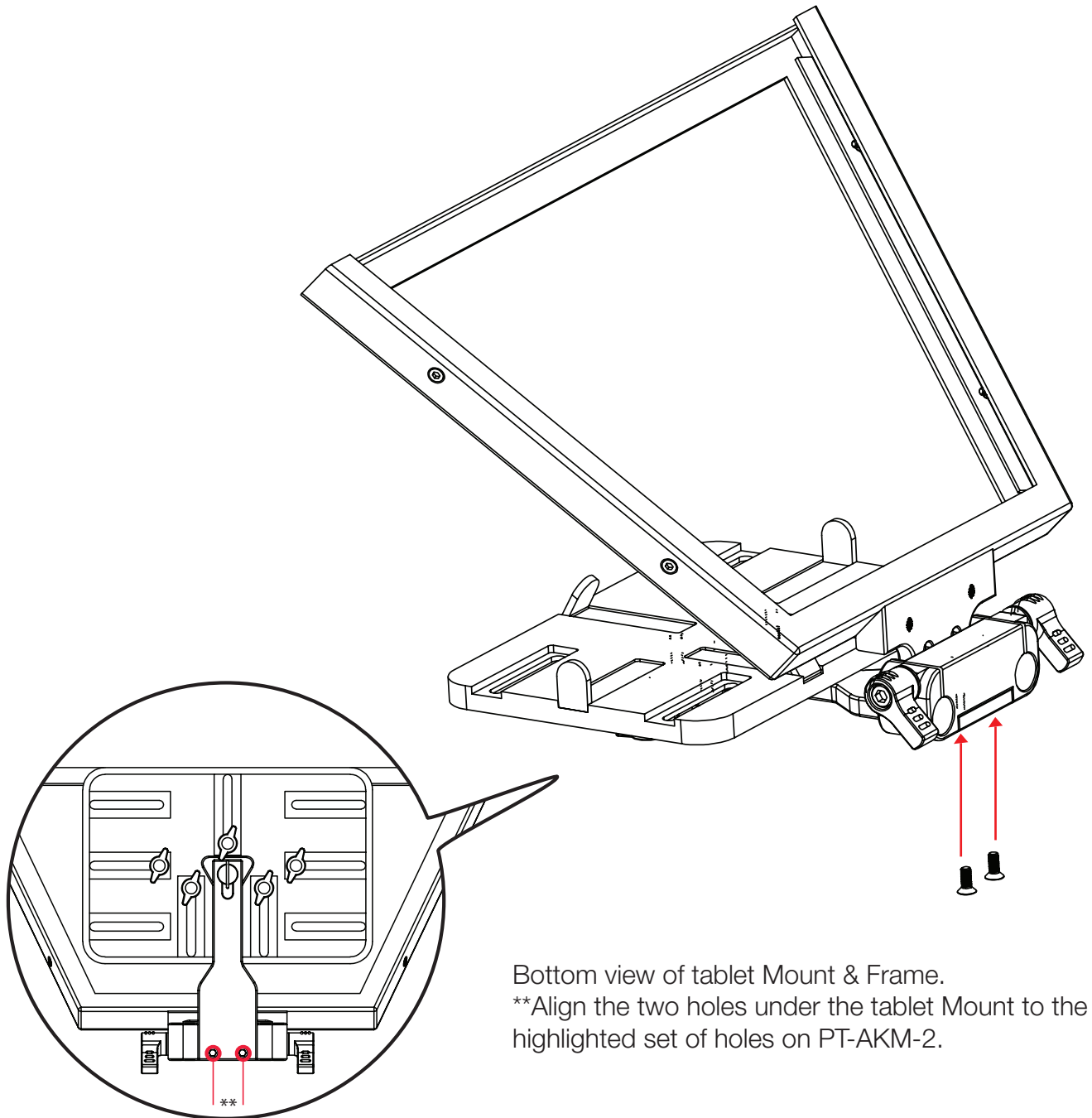
CHECKED BY

713.272.8822

© 2015 ikan Corporation. All rights Reserved

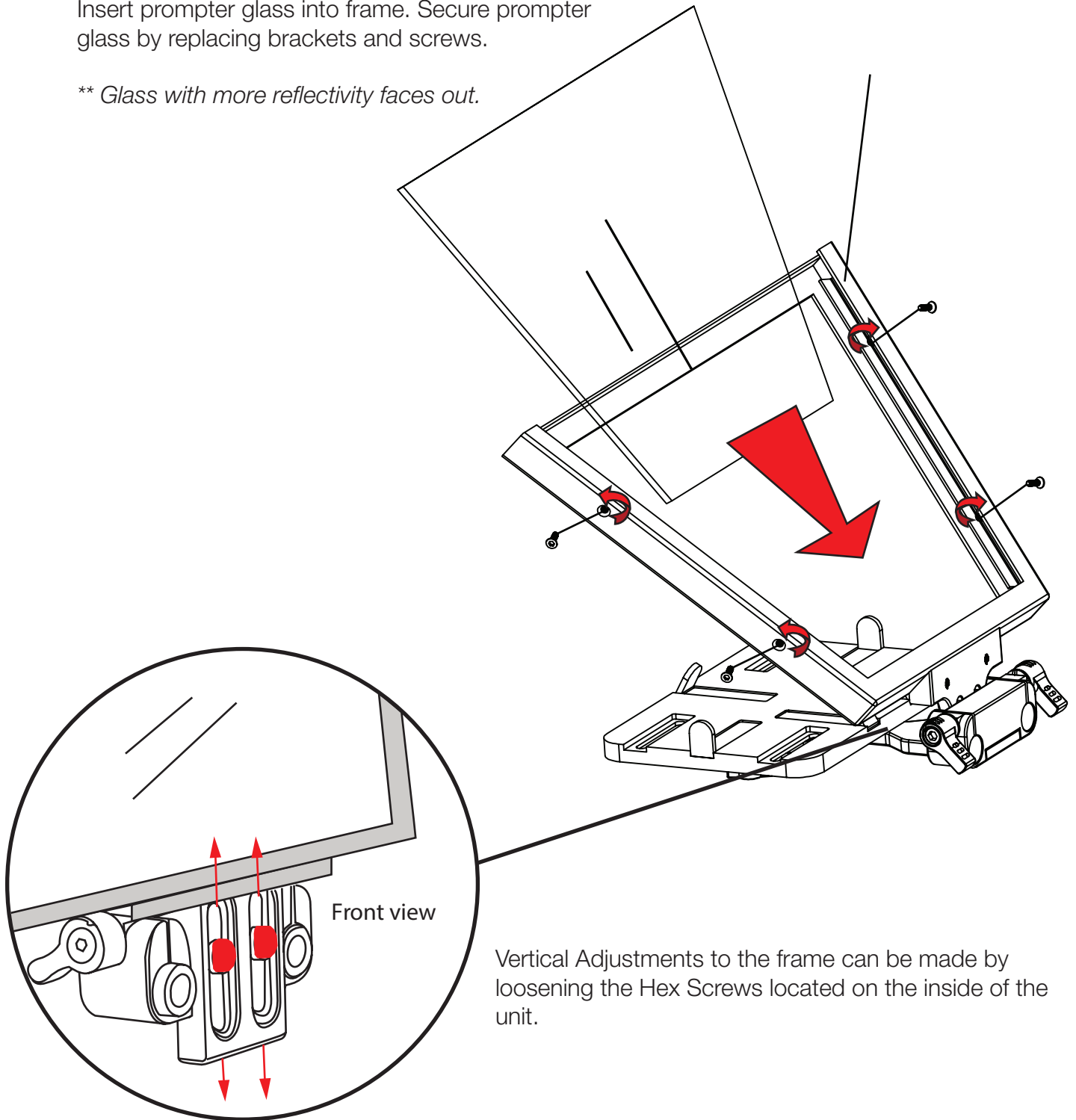
Getting Started

1. Fit Frame to iPad Mount. Secure with 2 x Socket Head Countersink Screw.



2. Remove 4 x Small frame screws and 2 x brackets.
Insert prompter glass into frame. Secure prompter glass by replacing brackets and screws.

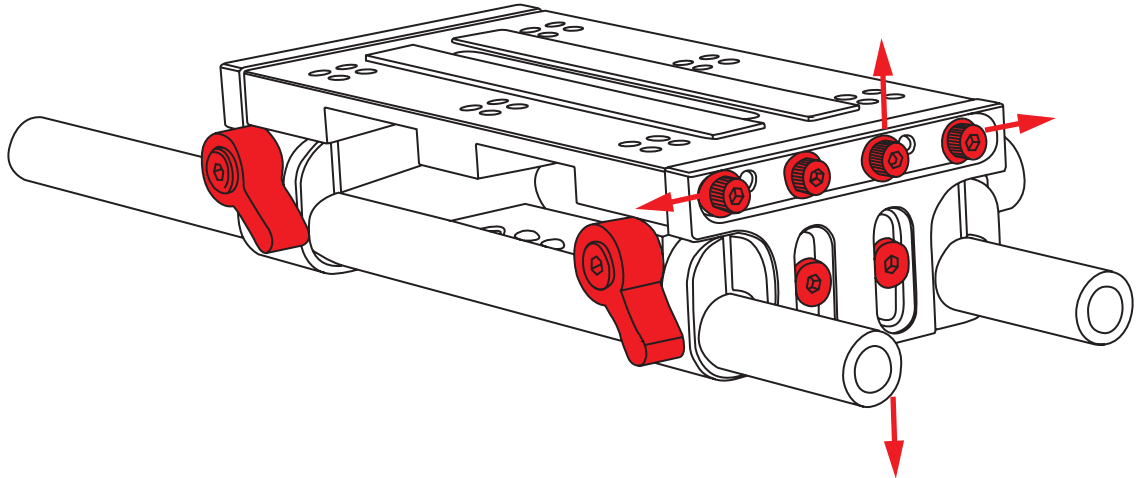
** Glass with more reflectivity faces out.



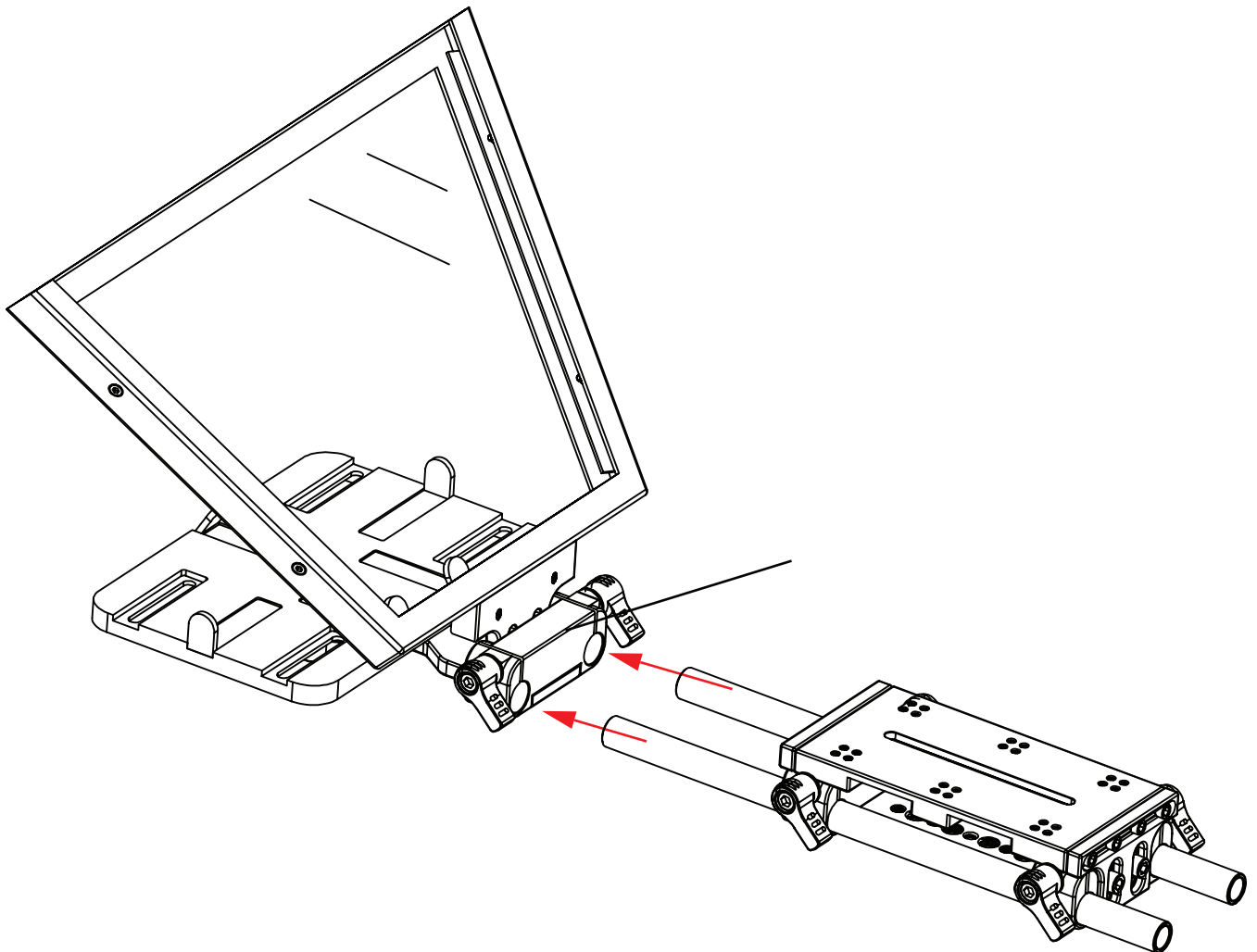
Vertical Adjustments to the frame can be made by loosening the Hex Screws located on the inside of the unit.

Adjustment Points (Adjust to fit your camera size)

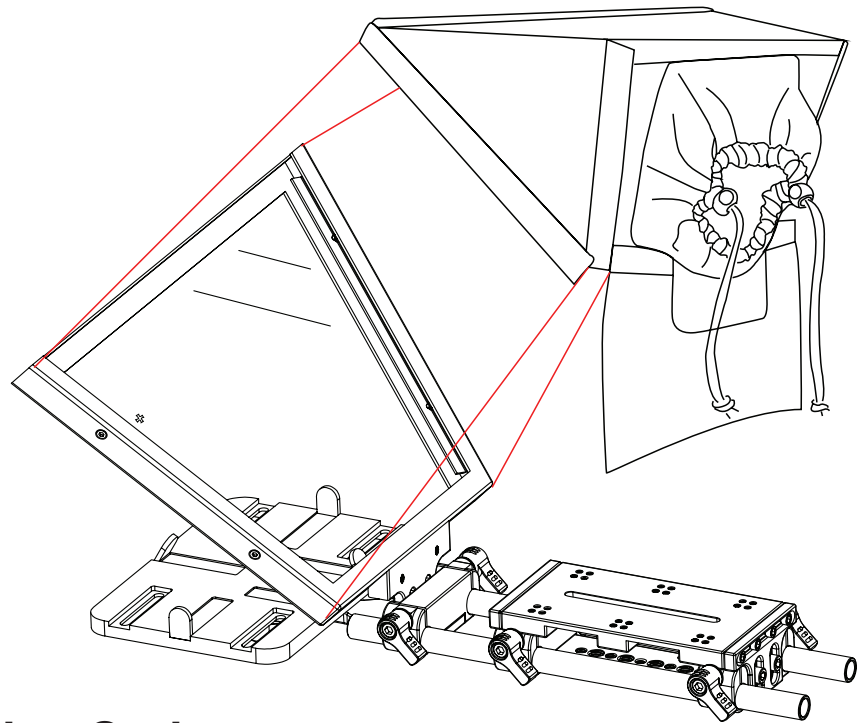
Numerous Adjustment Points allow for precise positioning modifications. Loosen Thumb Screws to move forward/backwards along 12" Rods. Loosen Hex Screws to make vertical and horizontal adjustments.



3. Secure Large Baseplate Rods to Rod Clamp.

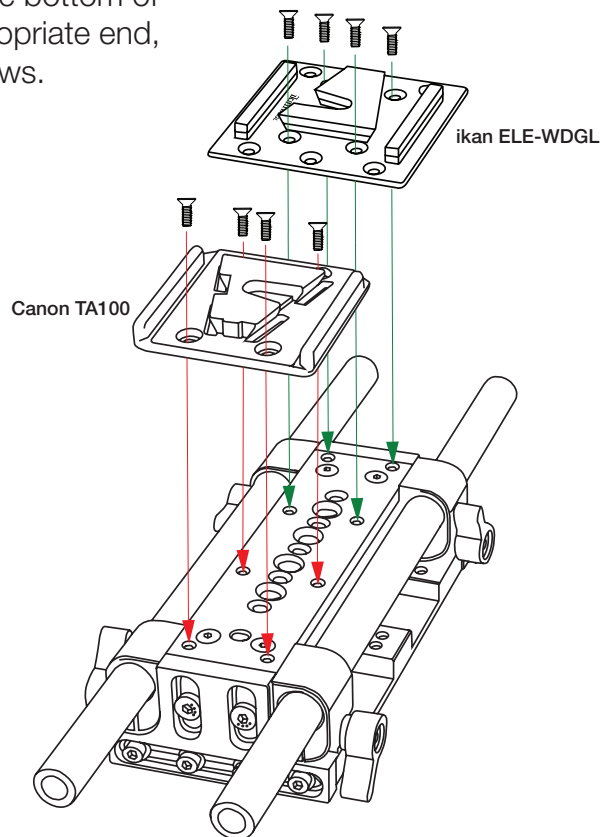


4. Attach the magnetic hood to glass frame.



Quick Release Mounting Options

The ikan Large Baseplate is compatible with both the Canon TA100 & ikan-WDGL Tripod Adapter Systems. Simply mount your Quick Release Plate to the bottom of the Large Baseplate component on the appropriate end, using four (4) Socket Head Countersink Screws.



Learn More

More dynamic information at official website: www.ikancorp.com

Support

Contact email: support@ikancorp.com

CONDITIONS OF WARRANTY SERVICE

- Free service for one year from the day of purchase if the problem is caused by manufacturing errors.
- The components and maintenance service fee will be charged if the warranty period is expired.

Free Service will not be Provided in the Following Situations: (*Even if the product is still within the warranty period.)

- Damage caused by abuse or misuse, dismantling, or changes to the product not made by the company.
- Damage caused by natural disaster, abnormal voltage, and environmental factors, etc.