

PT-ELITE-V2-RC QUICKSTART GUIDE

Elite Universal Tablet & iPad Teleprompter w/ Elite Remote



What's Included

- 1 x Glass Assembly
- 1 x Magnetic Hood
- 2 x 12-Inch Rods
- 1 x Baseplate Assembly
- 1 x Tablet Holder
- 1 x Elite Remote

CHECKED BY

ikan

www.ikancorp.com

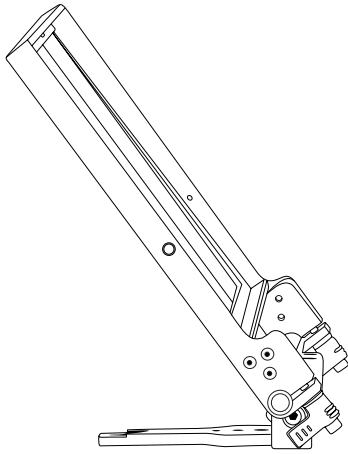
support@ikancorp.com

713.272.8822

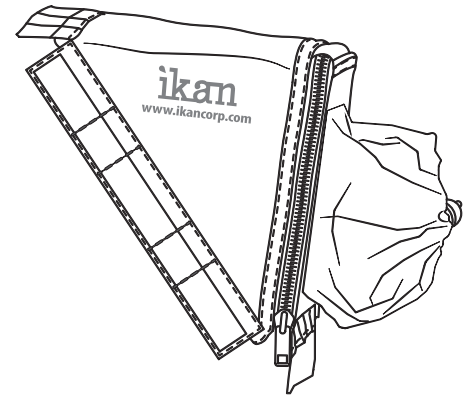
© 2015 ikan Corporation. All rights Reserved

PT-ELITE-V2

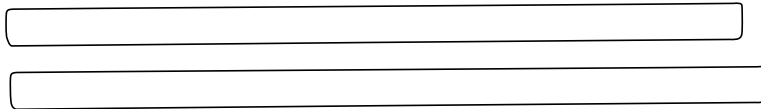
What's Included



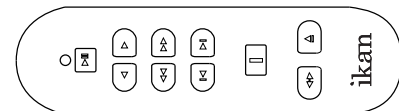
Glass Frame Assembly



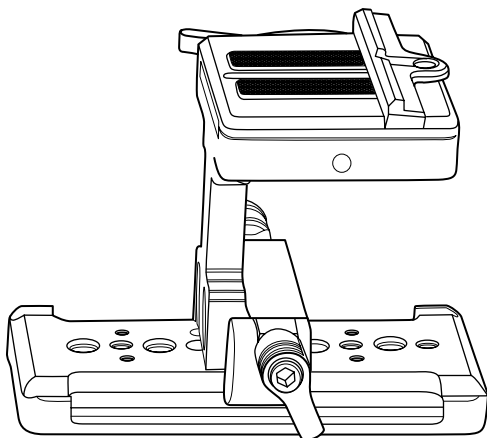
Magnetic Sunhood



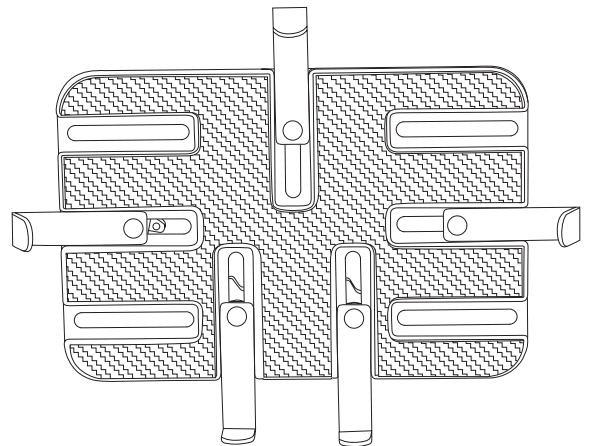
2 x 12-Inch Rods



Elite Remote



Baseplate Assembly

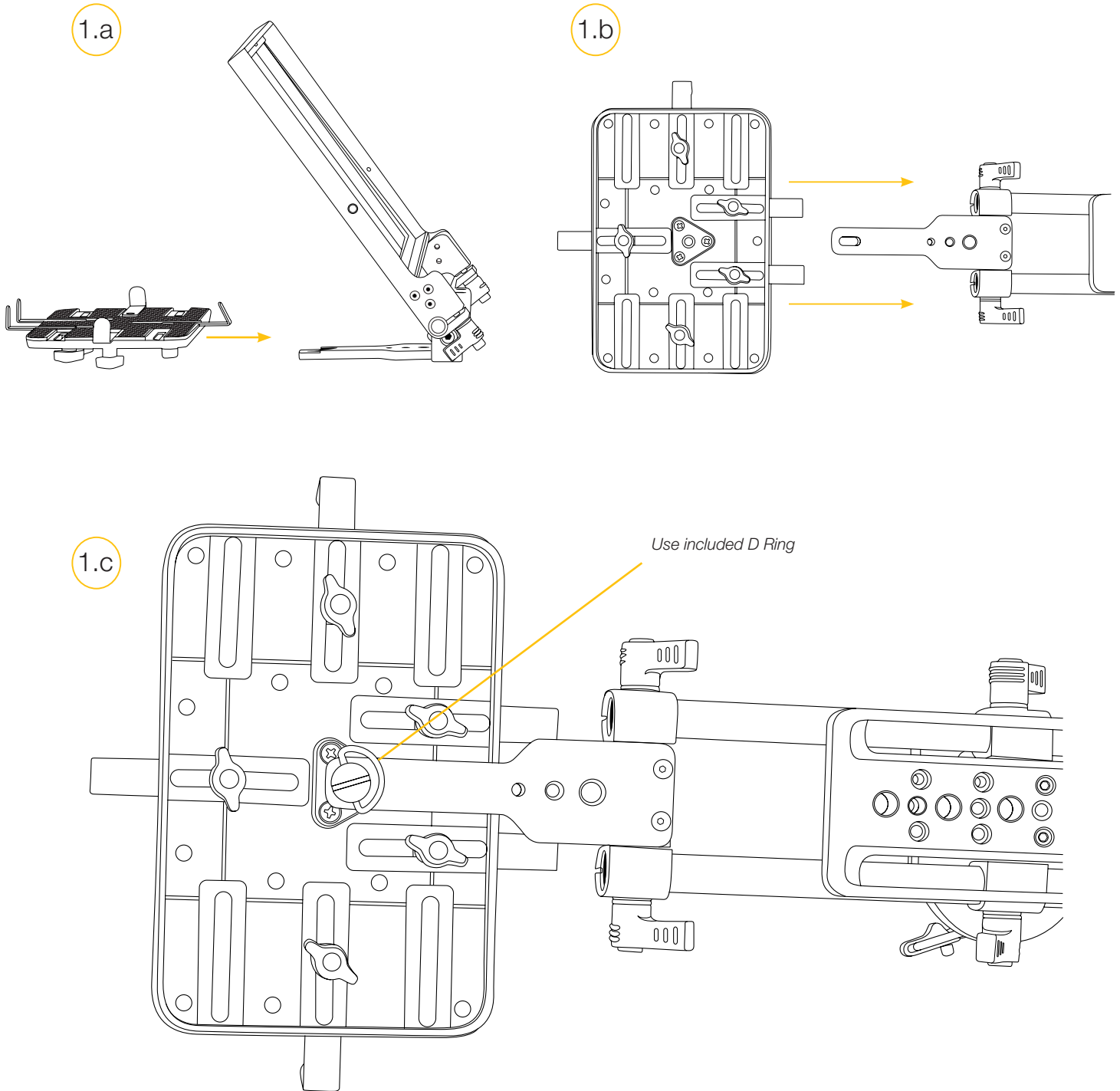


Tablet Holder

PT-ELITE-V2

How to Assemble

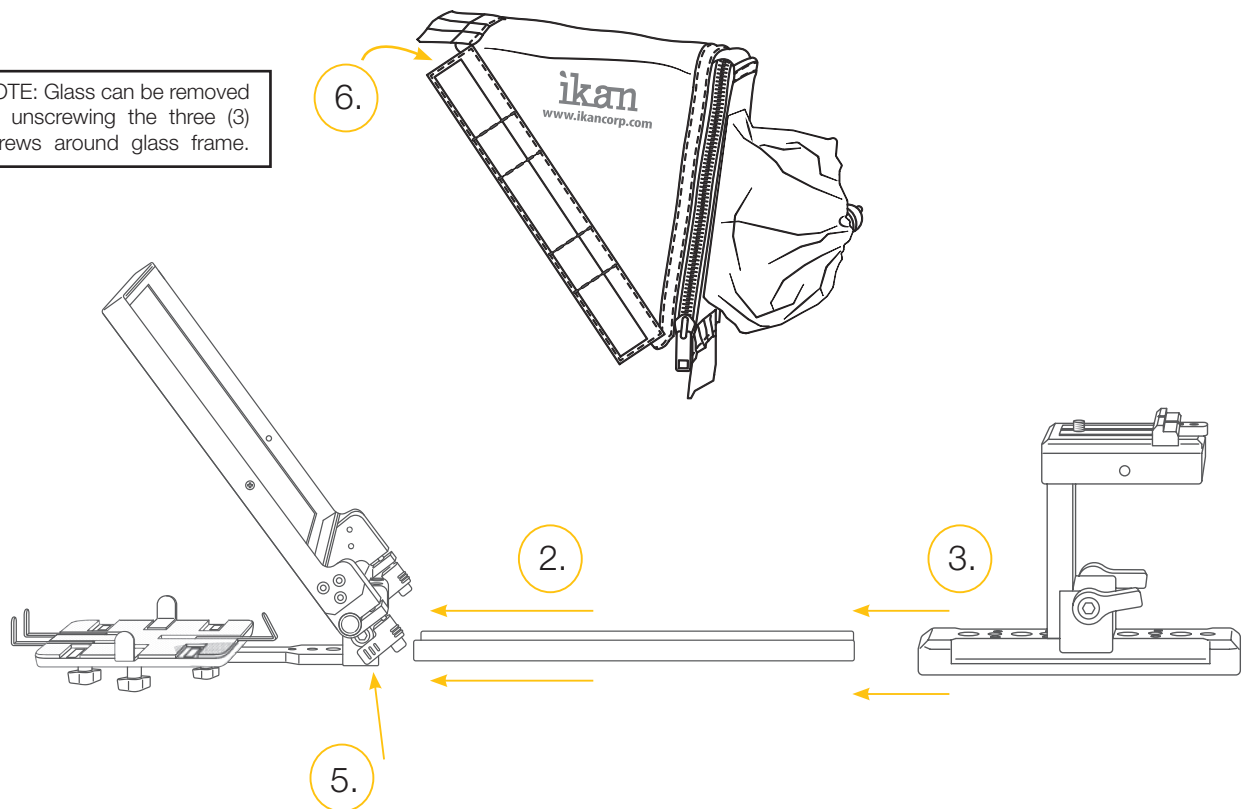
1. Attach tablet mount to glass frame assembly. **Figures 1a, 1b, 1c.**



PT-ELITE-V2

2. Insert rods into rail mount on glass frame assembly.
3. Slide baseplate onto rods.
4. Adjust spacing for your camera.
5. Tighten & loosen thumb screws to adjust glass frame. *Ideal angle is 45 degrees.*

NOTE: Glass can be removed by unscrewing the three (3) screws around glass frame.



6. Attach magnetic hood to glass frame.
7. Remove quick release plate & attach your camera. Reattach.

DO NOT THROW AWAY FOAM INSERT.

8. The PT-ELITE-v2 comes packaged in high quality custom-cut foam. It is sized perfectly to fit inside an SKB-i Series 1914-8 waterproof case.

Software Options

Windows: Choose from PrompterPro from Ikan, or from multiple third party options in the Windows Store or on the Web.

iOS: Choose from multiple 3rd party options on Apple Store

Android: Choose from multiple 3rd party options on Google Play Store

Visit www.ikancorp.com for a list of recommended apps.

Learn More

More dynamic information at official website: www.ikancorp.com

Support

Contact email: support@ikancorp.com

CONDITIONS OF WARRANTY SERVICE

- Free service for one year from the day of purchase if the problem is caused by manufacturing errors.
- The components and maintenance service fee will be charged if the warranty period is expired.

Free Service will not be Provided in the Following Situations:(*Even if the product is still within the warranty period.)

- Damage caused by abuse or misuse, dismantling, or changes to the product not made by the company.
- Damage caused by natural disaster, abnormal voltage, and environmental factors, etc.