

PBK-S-C

Pro Battery Adapter Kit for V-Mount w/ Coax P-Tap QUICKSTART GUIDE



What's included

- M-A Battery Plate
- Pro Adapter Plate
- 4 x M4x.07 x 8mm Metric Socket Head Screw
- Hex Key
- Coax to Power Tap Cable

Checked by

CONDITIONS OF WARRANTY SERVICE

- Free service for one year from the day of purchase if the problem is caused by manufacturing errors.
- The components and maintenance service fee will be charged if the warranty period has expired.

Free Service will not be Provided in the Following Situations: (* Even if the product is still within the warranty period.)

- Damage caused by abuse or misuse, dismantling, or changes to the product not made by the company.
- Damage caused by natural disaster, abnormal voltage, and environmental factors etc.

PBK-S-C

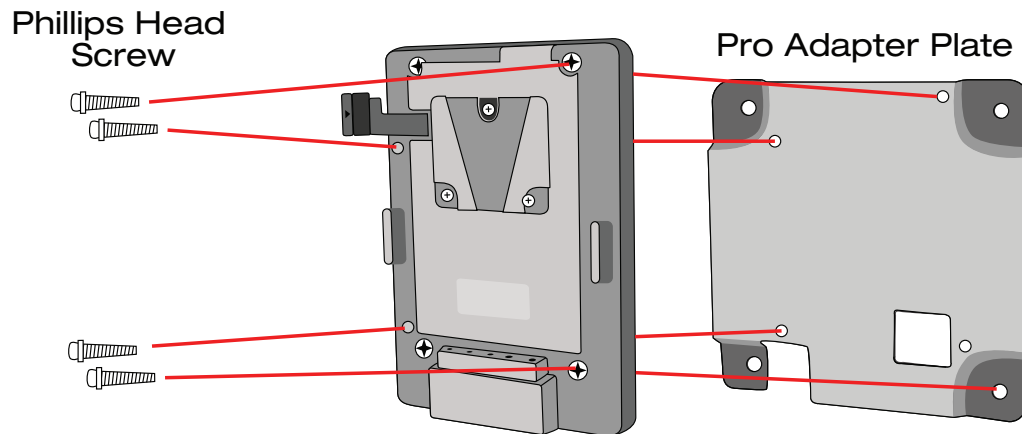
Pro Battery Adapter Kit for V-Mount w/ Coax P-Tap QUICKSTART GUIDE

Connecting the Power Tap Cable

Secure both plates with Phillips Head screws.

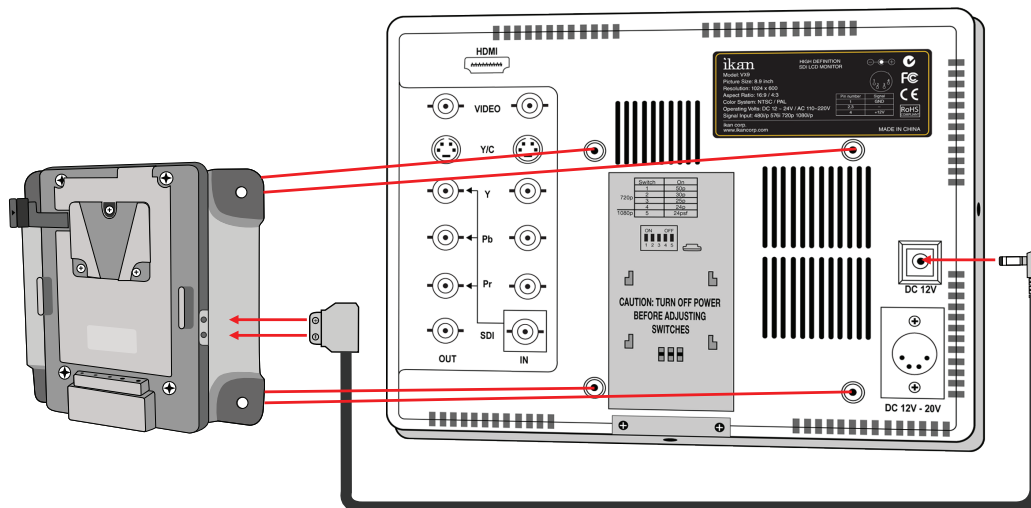
1

M-S Battery Plate



2

Attach the assembled plates to the monitor with M4x.07 x 8mm Metric Socket Head Screws. And, connect the Coax to Power Tap Cable.



Attach the Pro Battery Plate to the VX9 monitor with four M4X.07 20mm Bolts.