



SUPPORT YOUR IMAGE

**NINGBO EIMAGE STUDIO EQUIPMENT CO., LTD**

Address: No.1230 South Cihai Rd, Luotuo Industry zone, Zhenhai, Ningbo, China, 315202

Tel: 86-0574-55681753, 86-0574-55681675

Fax: 0574-86590078

E-mail: sales@eimagevideo.com

Visit [www.eimagevideo.com](http://www.eimagevideo.com) for more information

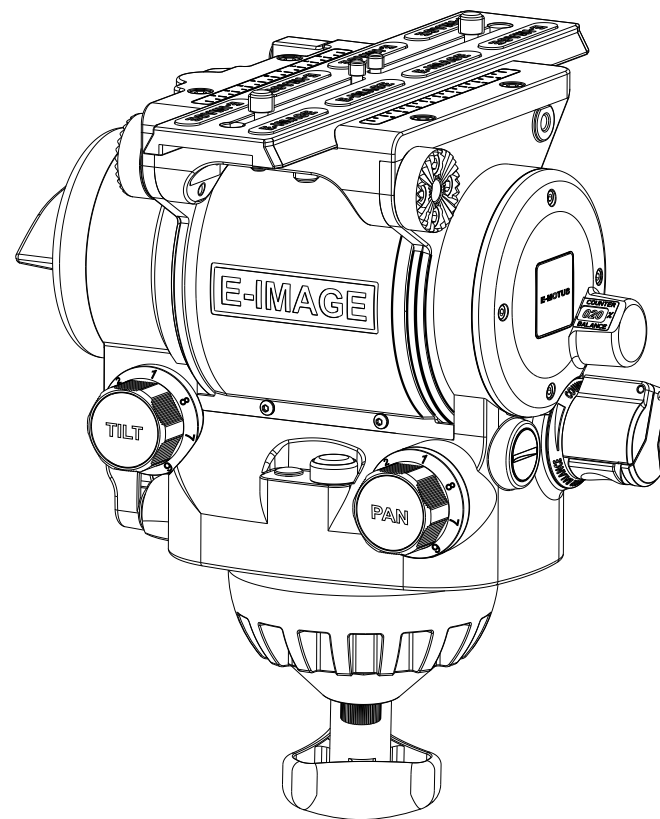


E-IMAGE  
Official QR Code



# E-MOTUS

Built For Demanding Cinema Production



[www.eimagevideo.com](http://www.eimagevideo.com)

# Contents

<b>Safety Instructions</b> .....	1
<b>E-MOTUS Fluid Heads</b> .....	2
In The Box .....	2
MH22/32 100mm Fluid Head .....	3
Technical Data .....	5
Fluid Head Set-up .....	7
Camera Mounting .....	8
Balance Adjustment .....	9
Counterbalance Setting .....	11
Setting Of The Damping .....	12
Pan And Tilt Locks .....	12
Illuminated The Bubble Level .....	13
Removing The Camera .....	13
Battery Replacement .....	13
<b>Video Tripods</b> .....	14
ECT100 .....	14
ECT100M / ECT100L .....	15
Technical Data .....	16
Using .....	17
<b>Daily Maintenance</b> .....	18
<b>Warranty Card</b> .....	19

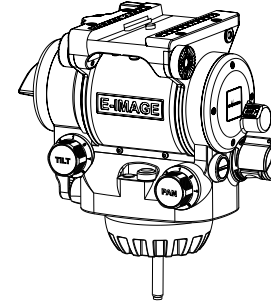
## Safety Instructions

### Thanks for purchasing E-IMAGE E-MOTUS products.

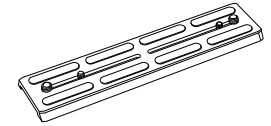
We encourage you to read this manual carefully to familiarize all the details features before operation, some of which maybe new to you. The manual including all safety instructions, operation, maintance. Please make sure that all equipments is operated correctly to avoid any defects or damage, especially the tripods should be steady and the head is locked tightly and levelling.

1. Please don't exceed the max. payload of head.
2. Please lock the tripod leg tightly before mounting camera on.
3. Please make sure the head is locked tightly on the tripod.
4. Please add accessories on the camera before adjusting balance.
5. Please don't leave the camera on fluid head unattended on the fluid head, keep it out of children.
6. Please don't adjust the height of tripod while the camera is on.
7. Please keep the quick release plate locked during using.
8. Please keep the tilt & pan is locked when adding/removing accessories from camera.
9. Please hold the camera securely during adjusting balance, counterbalance, tilt drag and pan drag.
10. Please remove the camera from tripods for transportation.

The product packing comes with the following items. In case that any item is found missing, please contact E-IMAGE or your local selling agent.



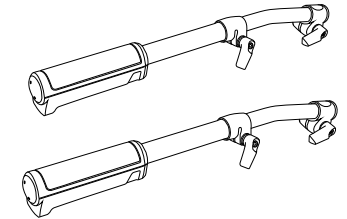
MH22 / MH32 Head x 1 PC



GP4 Quick Release Plate x 1 PC



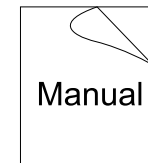
Bowl Locking Knob x 1 PC



GB4 Pan Handle (Left&Right) x 2 PCS

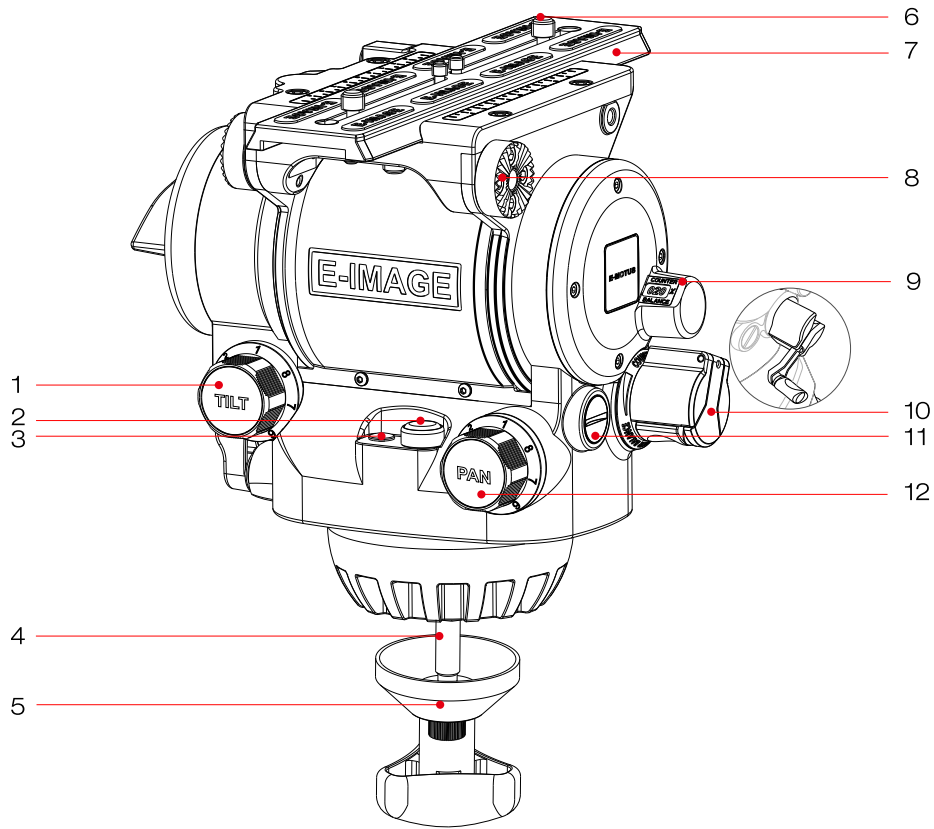


Safety Box x 1 PC



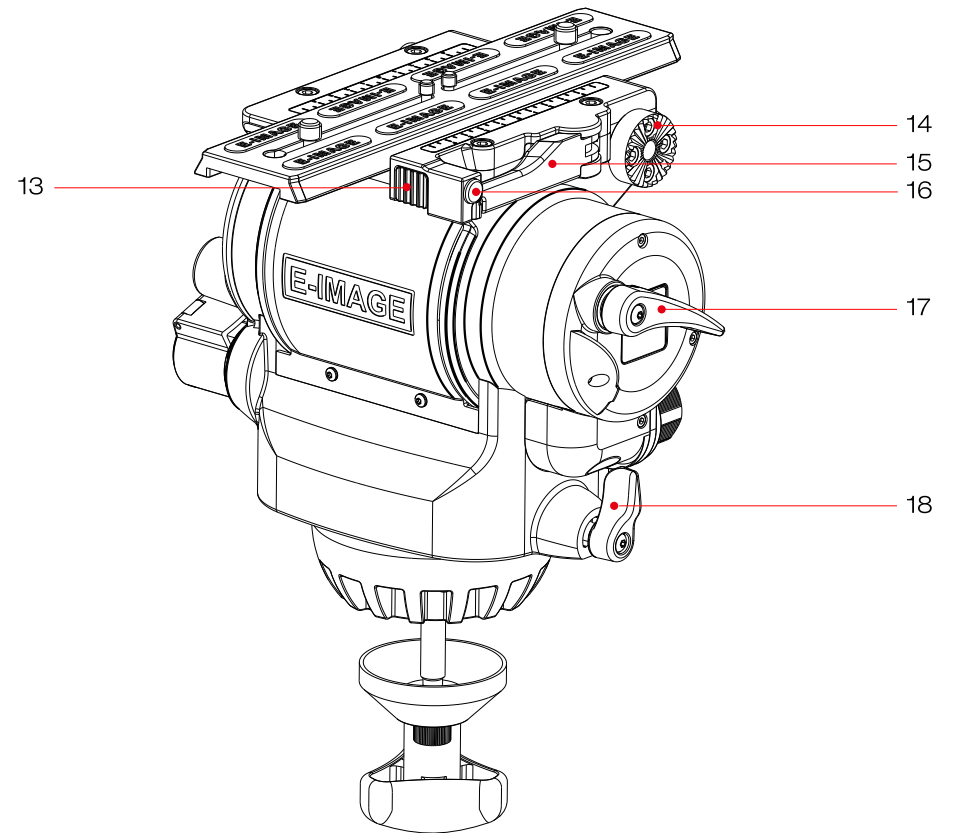
User Guide x 1 PC

For up-to-date product information, please visit [www.eimagevideo.com](http://www.eimagevideo.com) and click on the product page.



- 1. Tilt fluid drag adjustment knob
- 2. Bubble level
- 3. Illuminous button
- 4. Thread steel
- 5. Bowl locking knob
- 6. Camera screws

- 7. Quick release plate
- 8. Handle mounting rosette
- 9. Counterbalance visualized date display
- 10. Counterbalance adjustment knob
- 11. Battery cover
- 12. Pan drag adjustment knob

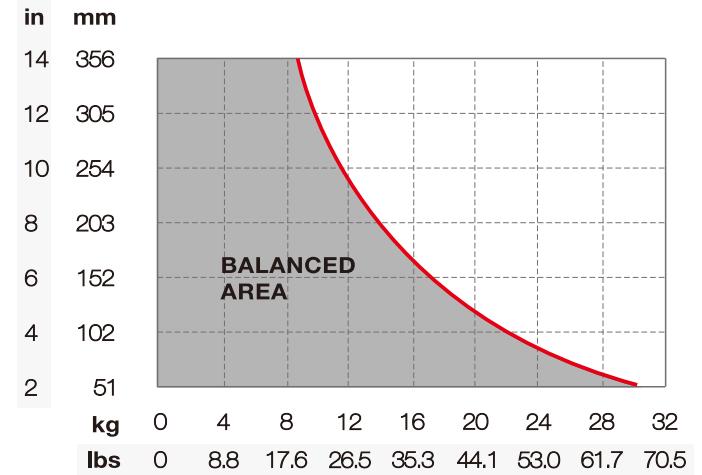


- 13. QR plate insurance button
- 14. Handle mounting rosette
- 15. QR plate release lever

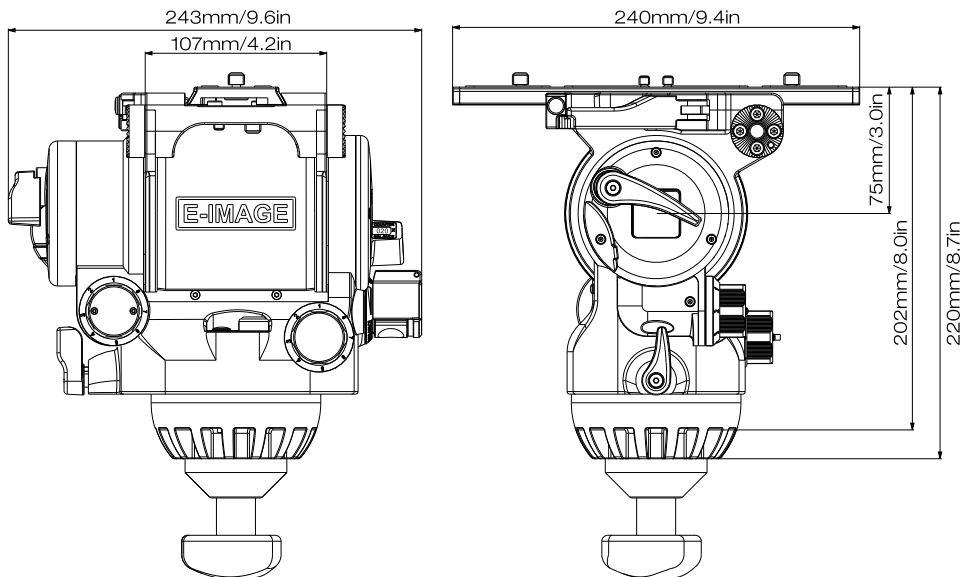
- 16. QR plate safety button
- 17. Tilt locking lever
- 18. Pan locking lever

Model	MH22	MH32
Payload Range @100mm(3.9")C.O.G.	22kg / 48.5lbs	32kg / 70.5lbs
Counterbalance Range	0-22kg (48.5lbs)	0-32kg (70.5lbs)
Grades Of Pan Drag	1-4	1-8
Grades Of Tilt Drag	1-4	1-8
Tilt Range	-67° ~ +90°	-67° ~ +90°
Temperature Range	-40°C ~ +80°C	-40°C ~ +80°C
Bowl Size	100mm	100mm
Sliding Range	120mm / 4.7in	120mm / 4.7in
Pan Handle	GB4 telescopic 425-610mm (16.7-24.0in)	
Net Weight	6.3kg / 13.9lbs	6.7kg / 14.8lbs

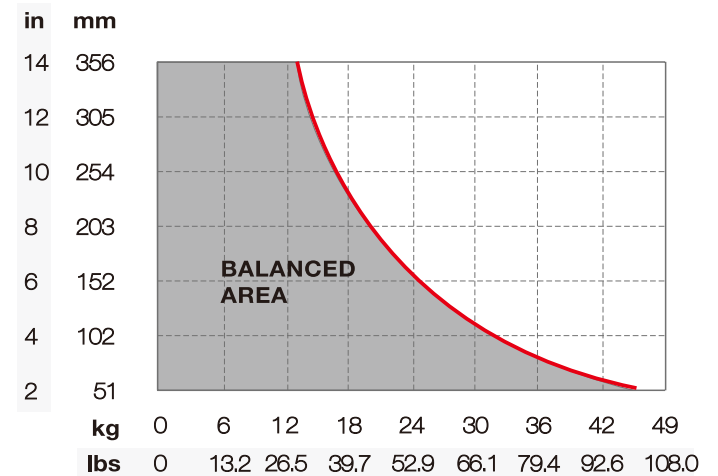
### MH22 Counterbalance Chart



### MH22 / MH32

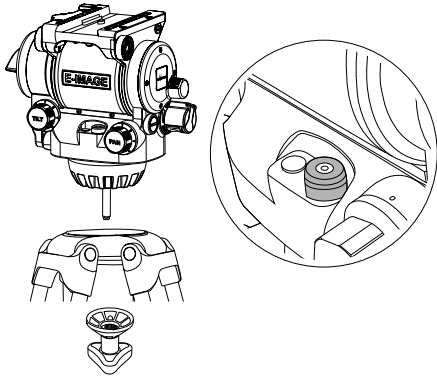


### MH32 Counterbalance Chart



## Fluid Head Set-up

### 1 Attach the head on the tripod.

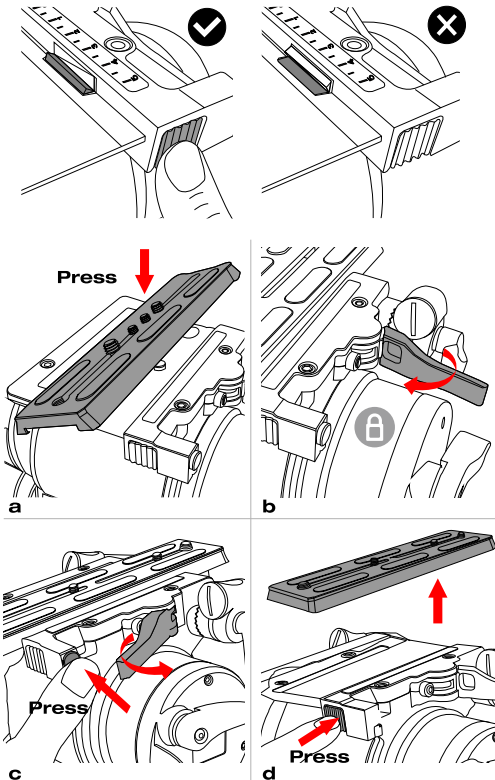


1-1: Please make sure the tripod leg is placed approximately in horizon and tripod leg are locked tightly.

1-2: Place the Head into the tripod bowl, then locking the bowl knob, meanwhile using the bubble level to set the head in level (the bulb in the circle), finally lock the bowl knob tightly.

1-3: Please lock the pan and tilt knob tightly.

### 2 Assemble or Dis-asmble the QR plate.



2-0: Before assembling the plate on, please press the plate release button to make sure the plate fix block back in correct position (raised).

#### 2-1: Assemble (a&b)

Please press the QR plate on to the platform until "click" is heard, adjust it in appropriate place, then lock the QR plate release lever until the plate safety button is engaged.

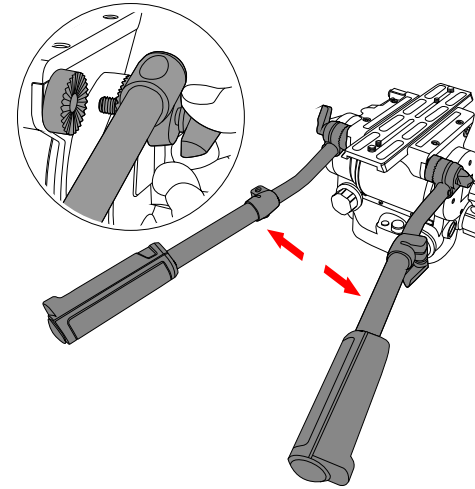
#### 2-2: Dis-assemble (c&d)

c: Press the plate safety button in, meanwhile, release the plate release lever by pulling it out.

d: Press the plate insurance button and take out the QR plate.

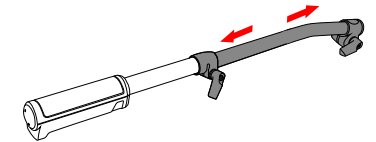
## Fluid Head Set-up

### 3 Attach the handle.



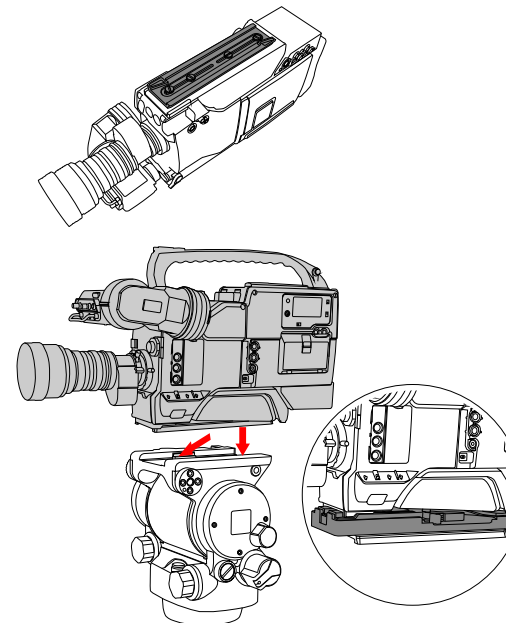
3-1: Install the pan handle on the rosette handle mounts and adjust the position before tightening the clamps.

3-2: Release the knob and adjust the length as you want, then re-lock it.



GB4 telescopic:  
425-610mm (16.7-24.0in)

## Camera Mounting



1-1: Attach the quick release plate to the bottom of the camera using the camera screws and pin supplied. Please make sure lock the screws tightly.

1-2: Hold the camera with one hand, press the camera on the platform. Slide forwards until the safety mechanism is engaged.

1-3: Slide the camera to appropriate position then locking the plate releasing lever until the safety button is engaged.

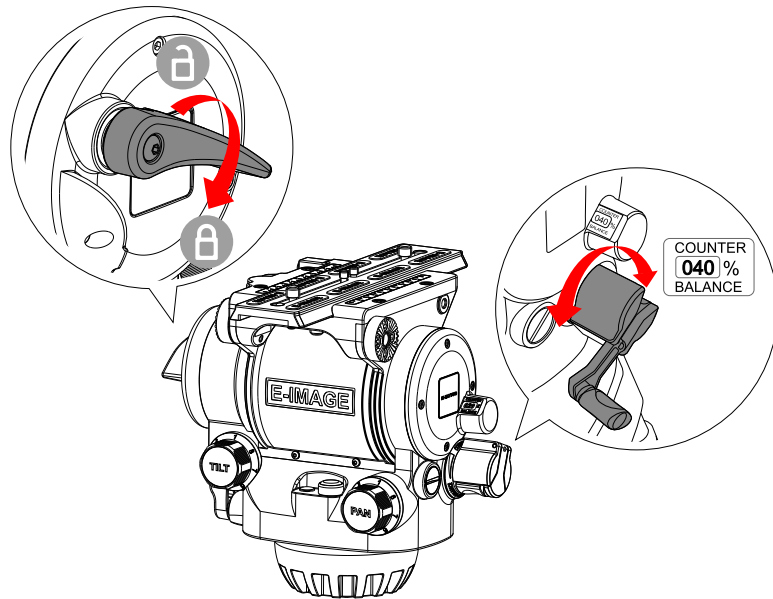
1-4: If the camera adapter with V-lock is needed, please assemble the adapter on plate at first, then attach the camera on adapter.

1-5: Attach the camera accessories on, like lens, focus control, viewfinder ect.

## Balance Adjustment

**!** The center of gravity of the camera should be centered precisely over the axis of fluid head. Please kindly understand that unbalanced payload maybe will fall away suddenly to damage the camera.

- \* Please make sure that camera and all accessories are installed before this operation.
- \* Please always maintain a firm hold on the camera until balance is achieved.

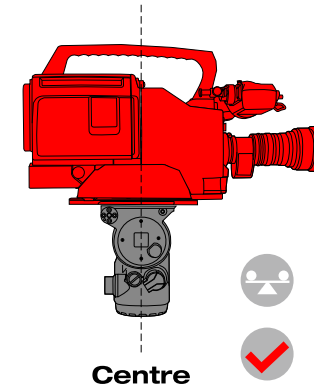


1-1: Adjust the counterbalance to about 30-50%.

1-2: Please lock the tilt locking knob, dial the titl drag to "0".

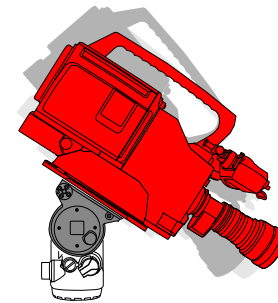
- \* (PS: Be prepared to prevent the camera fall down suddenly. Please increase the counterbalance setting depend on actual situation).

## Balance Adjustment

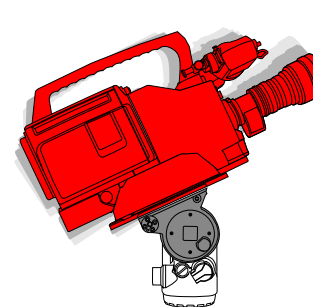
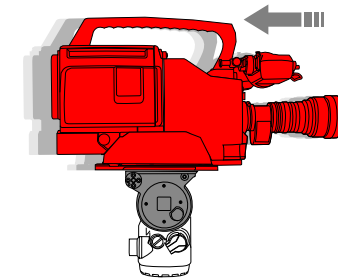


1-3: Please hold the camera or pan handle securely in level , then release the tilt locking knob and observe how camera moves.

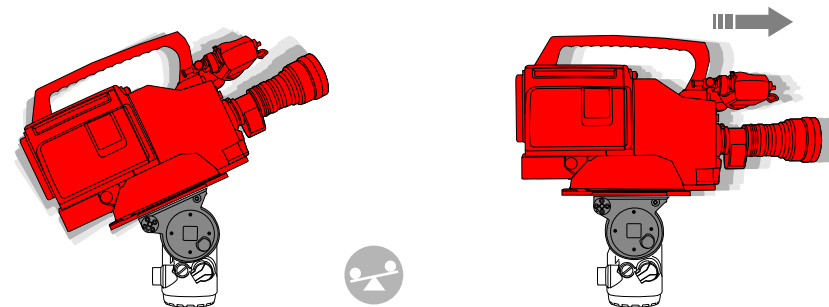
a: If the camera stops in horizon, the balance is achieved.



b: If the camera is fall forward (lens points downwards), please carefully slide the quick release plate in backwards.



c: If the camera is fall backward (lens points upwards), please carefully slide the quick release plate in forwards.



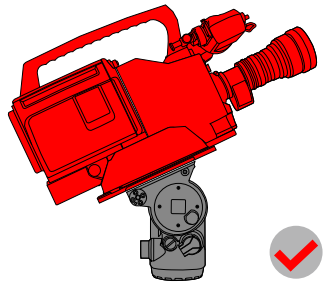
(PS: if necessary, please adjust the camera location on the plate).

- \* Please repate the operation until the camera could stay in horizontal position. Then lock the tilt knob tightly.

## Counterbalance Setting

The counterbalance system was designed to neutralise the effect of the camera weight when it is tilted. If the correct counterbalance is achieved, the camera should remain in any tilt position, and it could be moved by minimum effort in tilt .

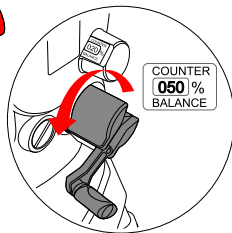
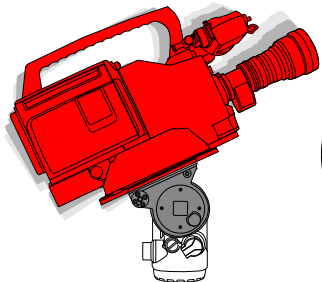
\* Please make sure that camera and all accessories are installed before this operation.



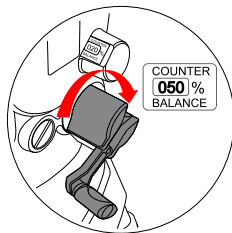
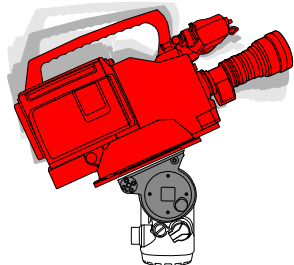
1-1: Please always hold the handle, set the counterbalance to about 50%.

1-2: Loose the tilt locking knob, tilt the camera upwards or downwards 45° and release it.

a: If the camera stays in the same position, the camera is balanced correctly.



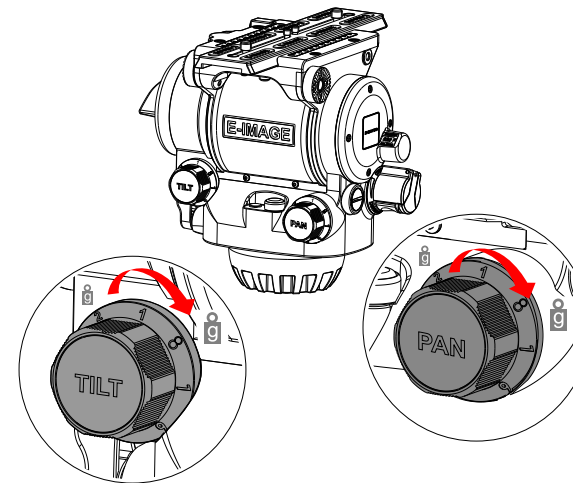
b: If camera falls forward (lens points upwards), please decrease the counterbalance by turning the counterbalance handle counter-clockwise as required.



c: If camera falls downward (lens points downwards), please increase the counterbalance by turning the counterbalance handle clockwise as required.

\* Please repeat the operation until the correct counterbalance is achieved. Fine turning can be achieved by adjusting the camera plate.

## Setting Of The Damping



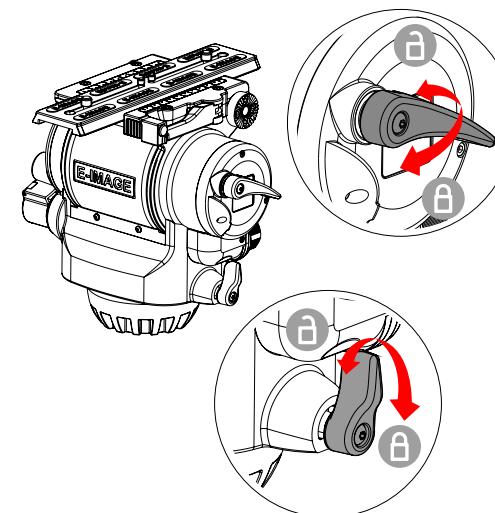
1-1: Tilt drag:  
MH22: 4 steps, MH32 :8 steps.  
Please dial the tilt drag knob to your desired level.

1-2: Pan drag:  
MH22: 4 steps, MH32 :8 steps.  
Please dia the pan drag knob to your desired level.

\* Make sure that you always turn the setting to the correct indexed position (arrow), not between the indexed positions.

## Pan And Tilt Locks

The pan and tilt locks should be engaged whenever the camera is left unattended.



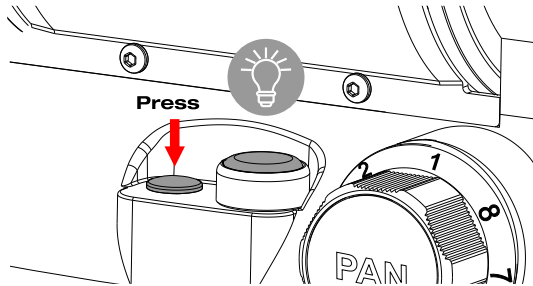
1-1: **Lock the pan lock**  
Turn the pan lock lever clockwise to lock it.

1-2: **Lock the tilt lock**  
Turn the tilt lock lever clockwise to lock it.



## Illuminated The Bubble Level

Press the button, it will help you level the head in poor light. The bubble will be light up to 20s.



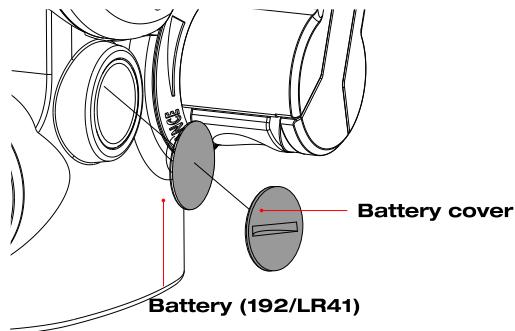
## Removing The Camera

Same as remove the plate.

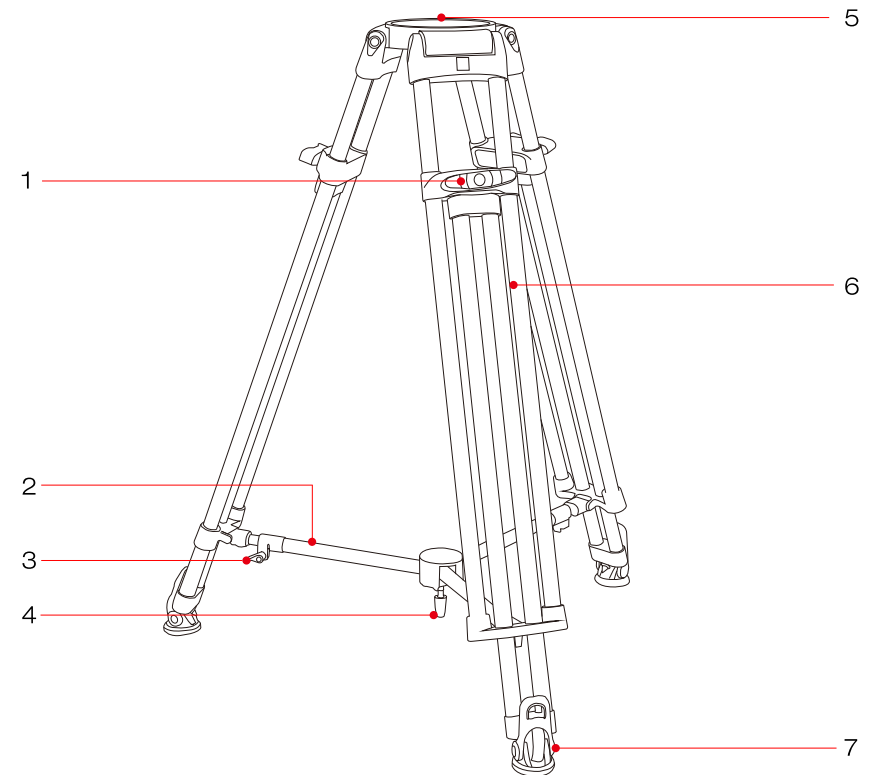
## Battery Replacement

The battery illuminates the bubble level. It should be replaced whenever the illumination becomes inadequate.

1. Use a coin or flat blade screwdriver to unscrew the battery cover.
2. Carefully pull the battery out of its compartment.
3. Fit a replacement 192/LR41 (AG3) battery in the compartment, ensuring that the positive side (+) of the battery faces outermost.
4. Replace the battery cover and tighten using a coin or flat blade screwdriver.
5. Press the bubble level illumination button and verify that the bubble level is lit for approximately 20 seconds.



## ECT100 (Bowl size 100mm)

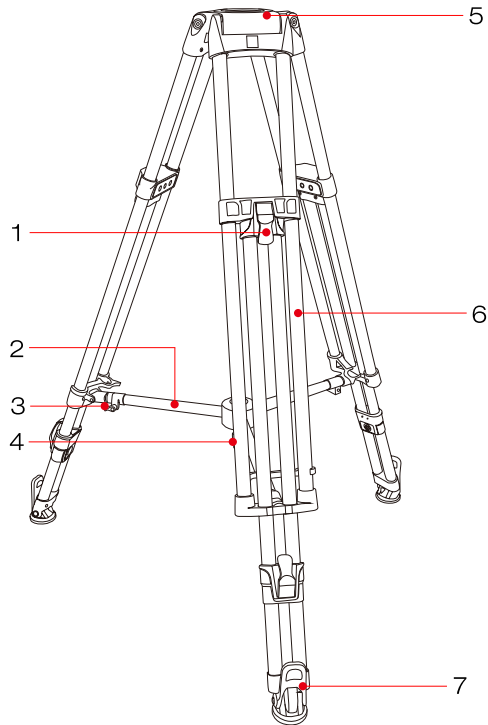


1. Locking knob
2. Mid-level spreader
3. Length adjustment locking knob
4. Angle adjusting bolt

5. Bowl base
6. Leg tube
7. Rubber feet

## ECT100M

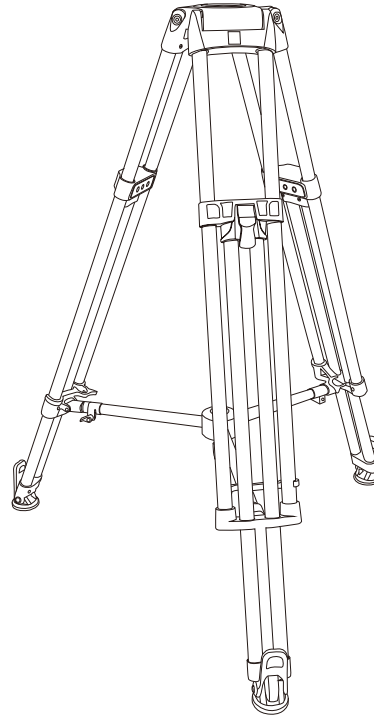
(Bowl size 100mm)



1. Flip lock lever
2. Mid-level spreader
3. Length adjustment locking knob
4. Angle adjusting bolt

## ECT100L

(Bowl size 100mm)



5. Bowl base
6. Leg tube
7. Rubber feet

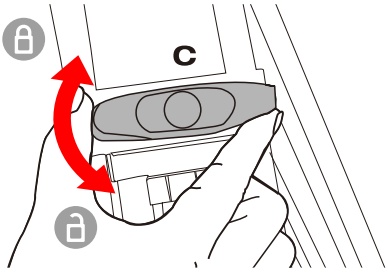
Model	<b>ECT100</b>
Payload	100.0kg/220.5lbs
Height Range	76.0cm~155.0cm/29.9in~61.0in
Transport Length	93.0cm/36.6in
Bowl Size	100mm
Sections	2
Material	Carbon fiber
Net Weight	8.2kg/18.1lbs

Model	<b>ECT100M</b>
Payload	100.0kg/220.5lbs
Height Range	55.5cm~151.5cm/21.9in~59.6in
Transport Length	74.5cm/29.3in
Bowl Size	100mm
Sections	3
Material	Carbon fiber
Net Weight	8.5kg/18.7lbs

Model	<b>ECT100L</b>
Payload	100kg/220.5lbs
Height Range	75.5cm~151.5cm/29.7in~59.6in
Transport Length	92.5cm/36.4in
Bowl Size	100mm
Sections	2
Material	Carbon fiber
Net Weight	8.1kg/17.9lbs

## Using

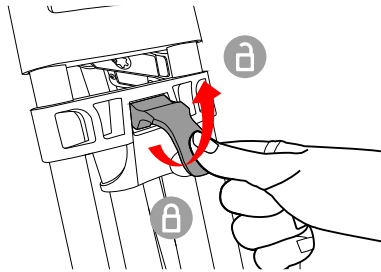
### Loose & lock leg tube (For ECT100).



Loose : Turn the locking knob "C"  
anti-clockwise.

Lock : Turn the locking knob "C"  
clockwise until tight.

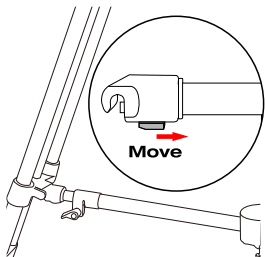
### Height adjustment (For ECT100M / 100L).



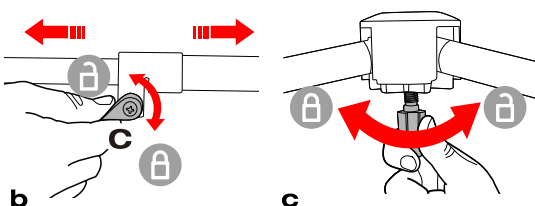
a: Please pull the flip lock lever up to  
slide the tube up and down.

b: Push down the flip lock lever to fix  
the height.

### Loose & lock middle spreader (For the EI-7000L).



a: Assemble & Release middle.



b: Loose - Turn the locking knob "C"  
anti-clockwise.

Lock - Turn the locking knob "C"  
clockwise until tight.

c : Adjust the angle.

## Daily maintenance

### Storage and transport:

When not using head for a long time, please turn all the knobs to the minimum.

When not using tripod, please don't place vertically to avoid the broken.

When not using tripod or transportation, please keep it in the carry bag.

### Function inspection:

Please check the tripod payload and head locking condition, in order to avoid the accident.

Please check and adjust tripod and head locking condition regularly, in order to increase service life.

### Function inspection:

1. Using a regular with a lint-free cloth to clean tripods.

2. Please keep it in carrying case if not use it for long time.

3. Using a semi-stiff brush or vacuum.

Always engage safety locks and devices where applicable on the products.

Don't use product at temperatures less than  $-30^{\circ}$  or more than  $+60^{\circ}$ . Cleaning with mild detergent and a soft cloth. Remove dust and sand from all locking threads and sliding segments. Dry the product after use in wet conditions.

IMPORTANT : Not recommended to use in seawater.

If any questions during using process, please read the instruction carefully or ask help from your local distributor.

### Customer Information

Customer Name	Contact No.
Address	

### Sales Manager

Sales Date	Dealer
Dealer Contact No.	

### #1 Maintenance Record

Service Date	Signature of Repairman
Cause of Problem	
Service Result: <input type="checkbox"/> Solved <input type="checkbox"/> Unsolved <input type="checkbox"/> Refunded/ Replaced	