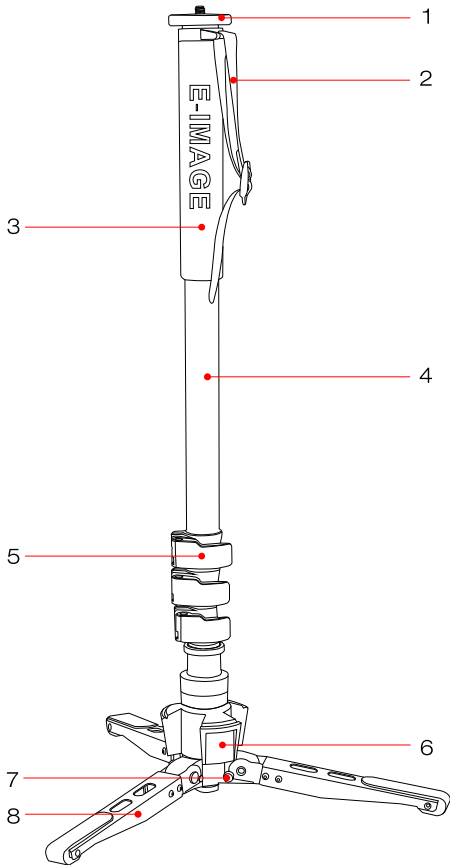




MFA700 & MFC700 User Manual

The E-IMAGE new monopod has a great feature that by stepping on the base part to lock/release monopod extremely quickly and fast during photo and video shoots, make it hands-free. It also comes with 1/4" & 3/8" screws interchangeable, baby tripod for lower angle shooting. The ergonomic design flip locking level provides easy and smooth operation. Durable handing belt help you hold the monopod in more safety. Aluminum ,carbon fiber are both available.



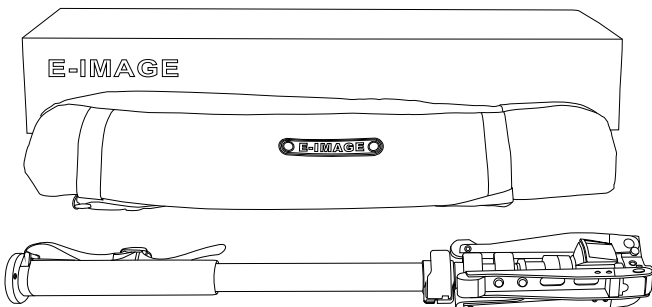
MFA700 & MFC700

- 1: Bearing plate for fluid head
- 2: Wrist strap
- 3: Monopod sponge cover
- 4: Material aluminum or carbon fiber
- 5: Flip lock
- 6: Step lock foot pedestal
- 7: Block
- 8: Aluminum leg support

Specification

Model	MFA700	MFC700
Payload range	20kg / 44..1lbs	20kg / 44..1lbs
Max.height	187cm / 73.6lbs	187cm / 73.6lbs
Net weight	1600g / 3.5lbs	1400g / 3.1lbs
Folded height	71.5cm / 28.1lbs	71.5cm / 28.1lbs
Material	Aluminum	Carbon fiber

In The Box



- Gift box x1
- Carry bag x1
- Monopod x1
- User manual x1
- Hexagon wrench x2



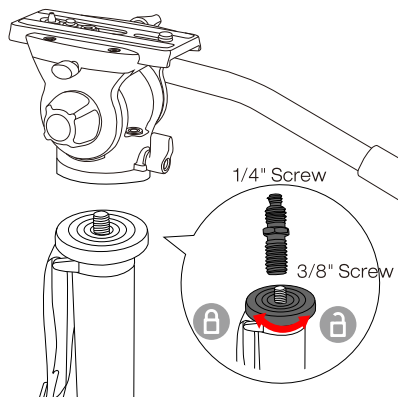
Contact Information

NINGBO EIMAGE STUDIO EQUIPMENT CO., LTD

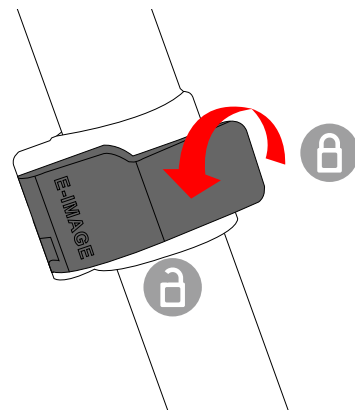
Add: NO.373 South Hangyong Road, Luotuo Industry Zone,
 Zhenhai, Ningbo, China 315202
 Tel: 86-574-55681753/55681675 Fax: 0574-86590078
 E-mail: sales@eimagevideo.com
 Visit www.eimagevideo.com for more information



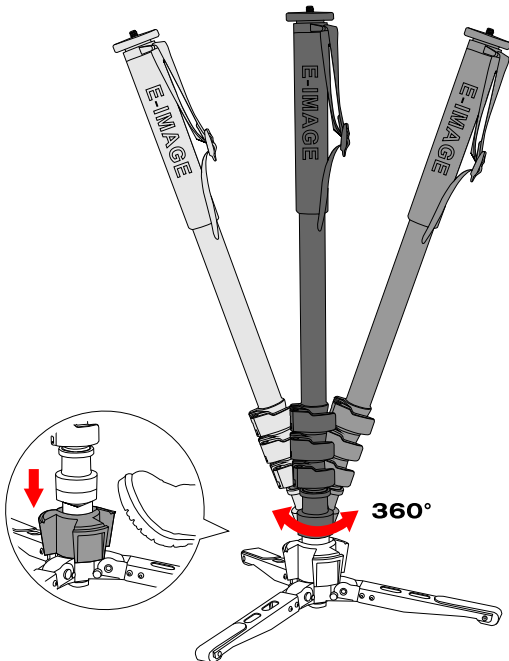
EIMAGE official QR code



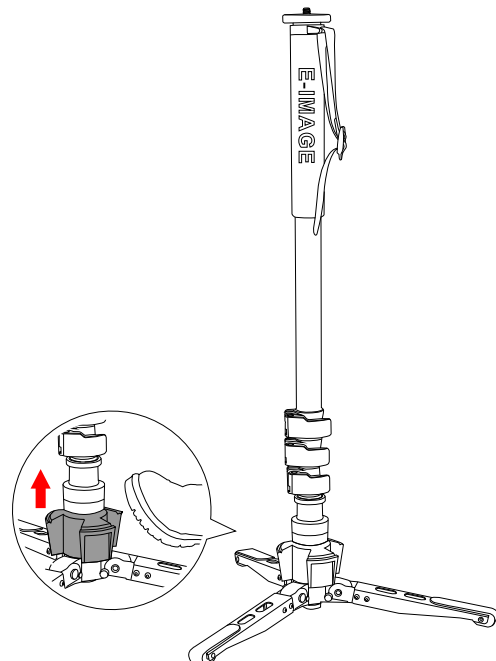
1 Monopod bearing plate comes with 1/4" and 3/8" screw in two sides, can attached the fluid head directly.



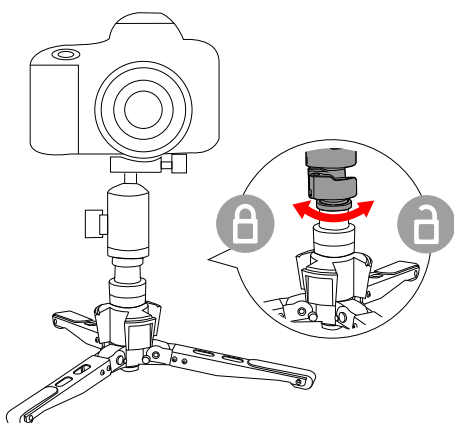
2 Open the flip locking to expand or collapse monopod tube.



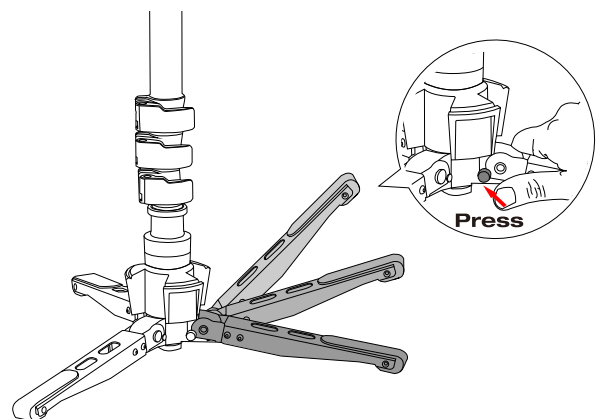
3 Step on the base part to release the monopod, it can swivel 360° and be tilted in any direction.



4 Step on the base part again to lock the monopod in upright.



5 Loose the bottom base of monopod to remove the monopod, the mini leg can be acted as a mini tripod, make low angle shooting.



6 Press the block to adjust the mini leg angle.