

BZ1500

1500FT WIRELESS HDMI/SDI TRANSMISSION SYSTEM

1X1 PACKING LIST



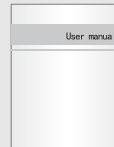
1



2



3



4



5



6



7



8



9



10



11

1 Receiver x 1

2 Transmitter x 1

3 5GHz Antennax 8

4 User Manual x 1

5 D-tap to Lemo Cable x 2

6 Wall Plug x 1

7 Magic Arm x 1

8 Crab Clamp x 1

9 USB Cablex1

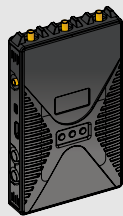
10 Mushroom Antenna x 2

11 Mounting Kit x 1

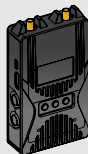
*Please subject to actual shipment as standard if any difference in accessories

Copyright © 2018 Ikan International LLC, Houston TX, USA. All rights reserved

1X2 PACKING LIST



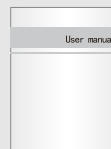
1



2



3



4



5



6



7



8



9



10

1 Receiver x 1

2 Transmitter x 1

3 5GHz Antennax13

4 User Manual x 1

5 D-tap to Lemo Cablex3

6 Wall Plug x 2

7 Magic Arm x 1

8 USB Cablex1

9 Mounting Kit x 1

10 Mushroom Antenna x 2

*Please subject to actual shipment as standard if any difference in accessories

Copyright © 2018 Ikan International LLC, Houston TX, USA. All rights reserved

PARAMETERS

	Transmitter	Receiver
Interface	SDI Input (BNC female) SDI Loop Out (BNC female) HDMI Input (Type A female) 2 Antenna Port (RP-SMA male) DC Input Mini USB 3.5mm Stereo In	SDI Output SDI Output HDMI Output (Type A female) DC Input 5 Antenna port (RP-SMA male) Mini USB
Supply Voltage Range	7–36VDC	7–36VDC
Power Consumption	<6W	<7W
Weight	260g	590g
Size	(LxWxH): 126.5x 70 x 25mm, not include antennas and battery plate	(LxWxH): 174 x 106 x 25mm, not include antennas and battery plate
Input Video Format	HDMI: 480p60, 576p50, 720p50/59, 94/60, 1080i50/59, 94/60, 1080p23.98/24/25/29.9/30/50/59, 94/60; HDMI Type A; SDI: 3G, HD, and SD-SDI (auto-selected); SMPT-E-259/274/292/296/372/424/425; 1x BNC; 1x BNC Loopout;	/
Output Video Format	/	HDMI: 480p60, 576p50, 720p50/59, 94/60, 1080i50/59, 94/60, 1080p23.98/24/25/29.9/30/50/59, 94/60; HDMI Type A; SDI: 3G, HD, and SD-SDI (auto-selected); SMPT-E-259/274/292/296/372/424/425; 2x BNC output;
Input Audio	SDI/HDMI embedded 2 channel 24 bit/48KHZ	/
Output Audio	/	SDI/HDMI embedded 2 channel 24 bit/48KHZ
Frequency Band	5, 1–5.9GHz, configurable with China, North America, Europe, etc	5, 1–5.9GHz, configurable with China, North America, Europe, etc
Modulation Mode	OFDM–16QAM	OFDM–16QAM
Transmission Power	Maximum 19dBm	/
Receiver Sensitivity	/	–75dBm
Occupied Bandwidth	40MHz	40MHz

INTRODUCTION

The wireless high-definition video transmission system, using today's highest level of wireless communication technology, transmits broadcast-quality uncompressed, non-delayed 3G SDI or HDMI1080P HD signals. Transmitter supports SDI, HDMI and SDI loopout; receiver supports dual SDI output and HDMI output. Both transmitter and receiver working in broadcast mode, the transmission distance can reach 1200ft.

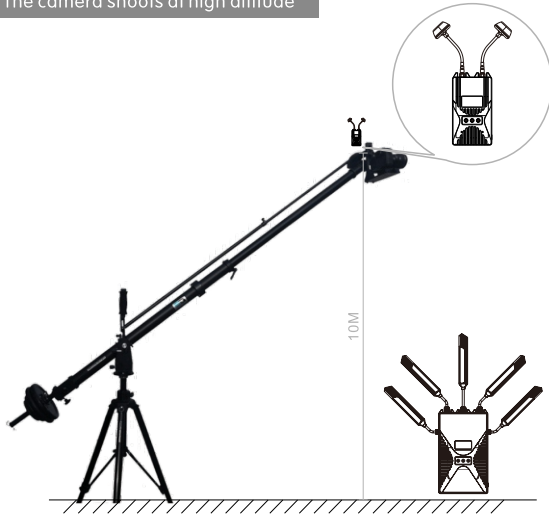


MUSHROOM ANTENNA APPLICATION

When the height difference between the transmitter and the receiver is large, it is recommended to use the mushroom antennas for the transmitter to enhance the wireless transmission stability. The receiver should be at least 1.7m high above the ground.

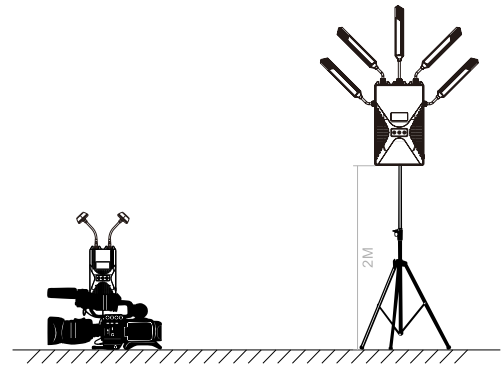
Scene 1

The camera shoots at high altitude

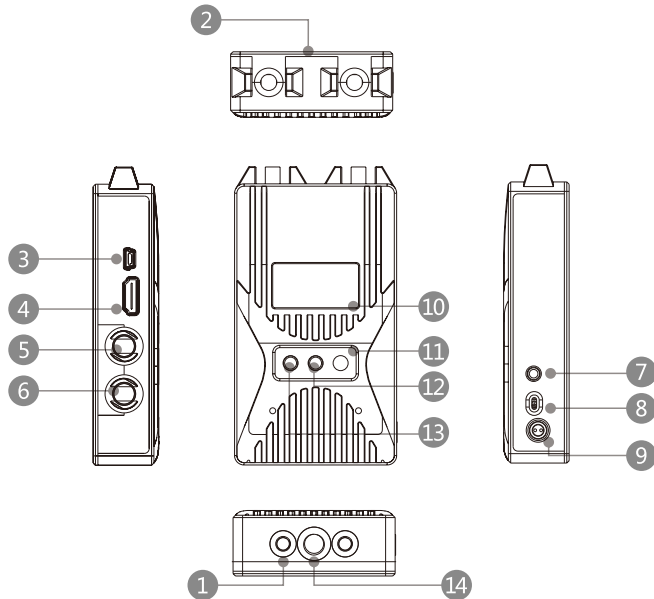


Scene 2

Camera close to the ground



PRODUCT INTRODUCTION

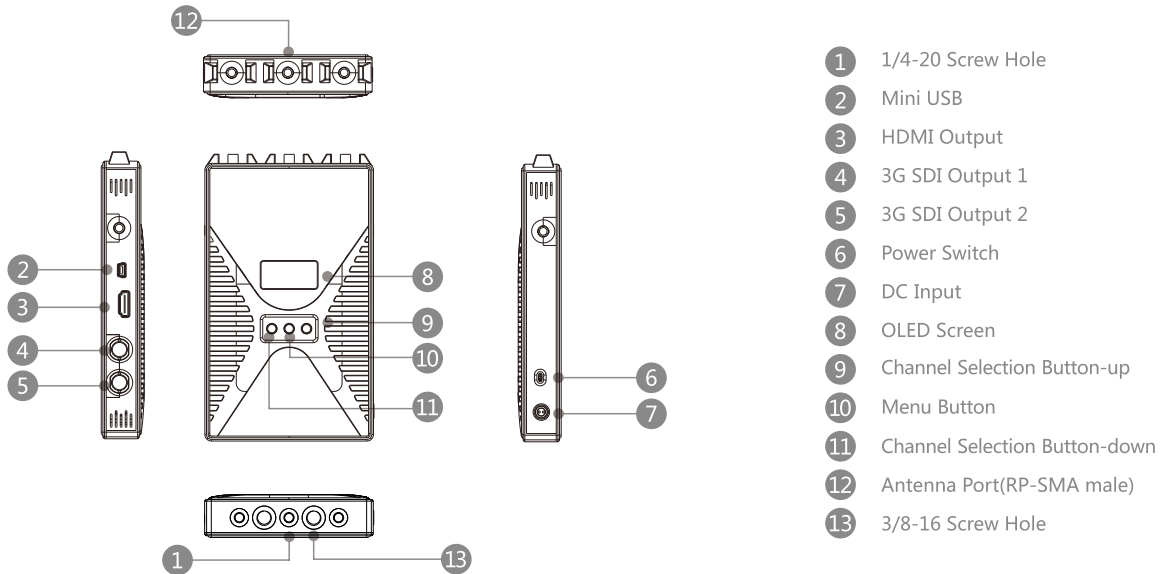


Transmitter

- 1 1/4-20 Screw hole
- 2 Antenna Port (RP-SMA male)
- 3 Mini USB
- 4 HDMI Input
- 5 3G SDI Loop Out
- 6 3G SDI Input
- 7 3.5mm Stereo In
- 8 Power Switch
- 9 DC Input
- 10 OLED Screen
- 11 Channel Selection Button-Up
- 12 Menu Button
- 13 Channel Selection Button-Down
- 14 3/8-16 Screw Hole

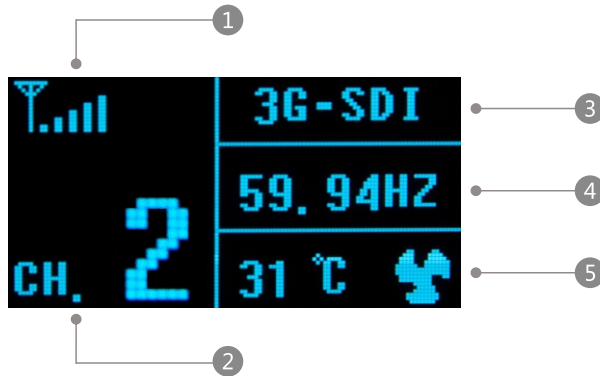
PRODUCT INTRODUCTION

Receiver



- 1 1/4-20 Screw Hole
- 2 Mini USB
- 3 HDMI Output
- 4 3G SDI Output 1
- 5 3G SDI Output 2
- 6 Power Switch
- 7 DC Input
- 8 OLED Screen
- 9 Channel Selection Button-up
- 10 Menu Button
- 11 Channel Selection Button-down
- 12 Antenna Port(RP-SMA male)
- 13 3/8-16 Screw Hole

PRODUCT INTRODUCTION



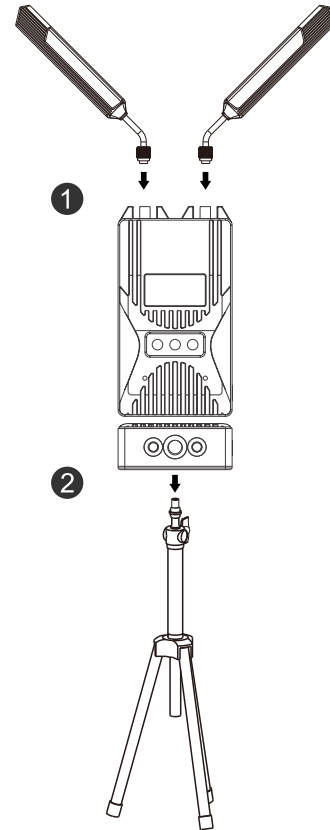
Screen Instruction

- ① Signal Strength indicator
- ② Working Channel
- ③ Transmitter: Video Status
- ④ Video Format
- ⑤ Temperature(Fan signal is only for reference)

■ Installation details and cautions

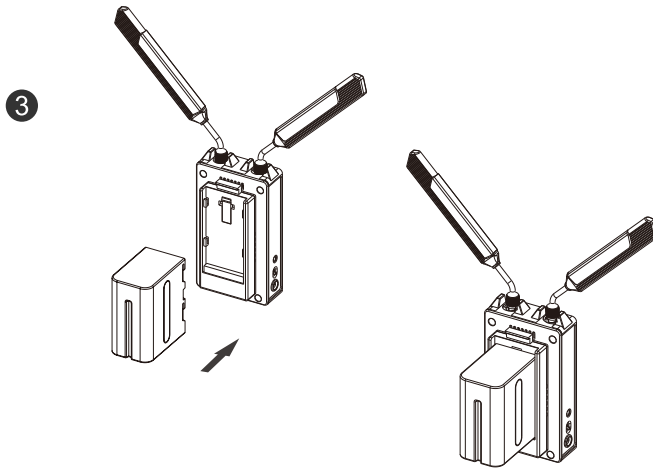
Install the antennas as picture

Stabilize transmitter and receiver



■ Installation details and cautions

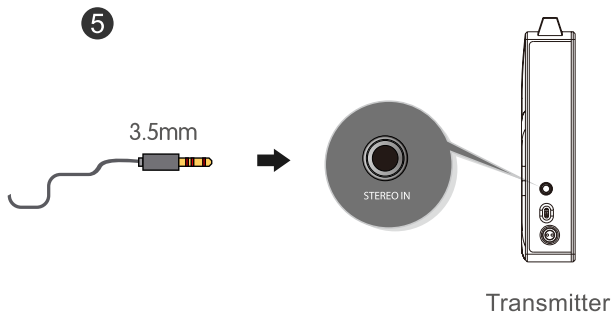
Connect power supply



Turn on the switch

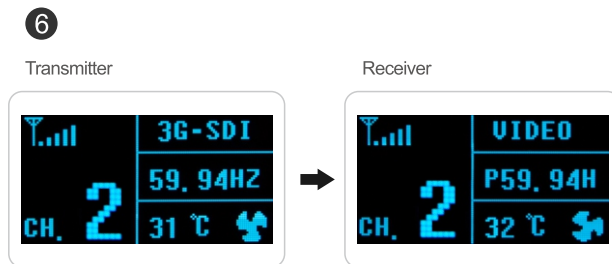
■ Installation details and cautions

Connect the transmitter audio



Set up connection

- When the receiver does not receive the signal, the display shows the status of "No Video", no format display

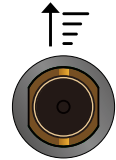


■ Installation details and cautions

When both SDI and HDMI have valid video input, the system will take SDI input as priority



HDMI Signal



SDI Signal

RSSI indicators

Strong



Middle



Weak



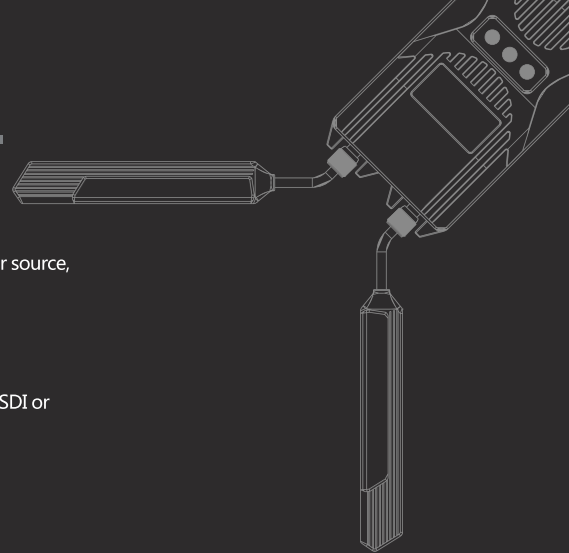
TROUBLE SHOOTING

1 No output on display

- a) Check TX and RX power first, if power supply through battery or external power source, please make sure the battery or external power source works normally;
- b) Check if TX antenna and RX antenna installed right and steady;
- c) After that, check 'Video' indicator, if TX 'Video' indicator is not light, then check SDI or HDMI cable is plugged in and video source is ready;
- d) Finally check input video format is compatible with this product specs.

2 Poor output video quality

- a) Check if SDI or HDMI input or output cable is plugged well,
- b) Make sure the transmitter and receiver are placed at least 1.5 meters above the ground,
- c) Please check the wireless signal strength indicator "RSSI" status. There should be 2-3 RSSI LED lit if the user want to get better video quality; if there is only 1 RSSI LED or no LED light, that means the received wireless signal is weak, and should decrease the transmission distance or try to change to other frequency channels in case some exist interference.



FCC STATEMENT

1, This device complies with Part 15 of the FCC Rules. Operation is subject to the following two conditions:

(1) This device may not cause harmful interference.

(2) This device must accept any interference received, including interference that may cause undesired operation.

2, Changes or modifications not expressly approved by the party responsible for compliance could void the user's authority to operate the equipment.

■ NOTE

This equipment has been tested and found to comply with the limits for a Class B digital device, pursuant to Part 15 of the FCC Rules. These limits are designed to provide reasonable protection against harmful interference in a residential installation.

This equipment generates uses and can radiate radio frequency energy and, if not installed and used in accordance with the instructions, may cause harmful interference to radio communications. However, there is no guarantee that interference will not occur in a particular installation. If this equipment does cause harmful interference to radio or television reception, which can be determined by turning the equipment off and on, the user is encouraged to try to correct the interference by one or more of the following measures:

Reorient or relocate the receiving antenna.

Increase the separation between the equipment and receiver.

Connect the equipment into an outlet on a circuit different from that to which the receiver is connected.

Consult the dealer or an experienced radio/TV technician for help.

■ RF WARNING STATEMENT

The device has been evaluated to meet general RF exposure requirement. The device can be used in portable exposure condition without restriction.

HEALTH AND SAFETY DISCLAIMER

This device complies with Part 15 of the FCC Rules. Operation is subject to the following two conditions:

(1) this device may not cause harmful interference, and (2) this device must accept any interference received, including interference that may cause undesired operation.

Please review FCC's Radio Frequency Safety before the operation at <https://www.fcc.gov/general/radio-frequency-safety-0>.

The following recommendations are made to help maintain RF safety in the Film and Television production environment:

1. All IKAN transmitters are certified for FCC Part 15 and comply with the following:

- a. The transmitter has a legible FCCID number on the manufacturer's product tag affixed to the unit.
- b. The transmitter has not been modified in any way from its original state as delivered by the manufacturer.
- c. All transmitter cabling is in good condition and properly attached.

2. The operator should have a clear understanding of the requirements for operating the equipment to maintain unconditional compliance with the MPE* (Maximum Permissible Exposure) limits for both controlled and uncontrolled environments.

3. The operator should review the FCC policy on human exposure to radio frequency on FCC's website: <https://www.fcc.gov/general/radio-frequency-safety-0>.

4. When the "unconditionally compliant" condition cannot be met, the operator should mitigate the exposure danger by observing the time limit for RFR exposure so as not to exceed the MPE*.

HEALTH AND SAFETY DISCLAIMER

This device complies with Part 15 of the FCC Rules. Operation is subject to the following two conditions:

(1) this device may not cause harmful interference, and (2) this device must accept any interference received, including interference that may cause undesired operation.

Please review FCC's Radio Frequency Safety before the operation at <https://www.fcc.gov/general/radio-frequency-safety-0>.

The following recommendations are made to help maintain RF safety in the Film and Television production environment:

1. All IKAN transmitters are certified for FCC Part 15 and comply with the following:

- a. The transmitter has a legible FCCID number on the manufacturer's product tag affixed to the unit.
- b. The transmitter has not been modified in any way from its original state as delivered by the manufacturer.
- c. All transmitter cabling is in good condition and properly attached.

2. The operator should have a clear understanding of the requirements for operating the equipment to maintain unconditional compliance with the MPE* (Maximum Permissible Exposure) limits for both controlled and uncontrolled environments.

3. The operator should review the FCC policy on human exposure to radio frequency on FCC's website: <https://www.fcc.gov/general/radio-frequency-safety-0>.

4. When the "unconditionally compliant" condition cannot be met, the operator should mitigate the exposure danger by observing the time limit for RFR exposure so as not to exceed the MPE*.



Ikan International

11500 S. Sam Houston Pkwy West
Houston, TX 77031
TEL:+1.713.272.8822
FAX:+1.713.995.4994

SALES

Reseller and Consumer
sales@ikancorp.com

MARKETING

Sponsorship, Partnership, Brand Ambassadors, and Media
marketing@ikancorp.com

SUPPORT

Returns, exchanges, and general support
support@ikancorp.com