

IFB576-KIT-CH

Kit with 3 x IFB576 LED Studio Lights & Chimera Soft Boxes

QUICK START GUIDE



What's Included

- 3 x IFB576 Light
- 3 x Gold Mount Battery Plate (*attached*)
- 3 x Gold to V-Mount Adapter Plate
- 3 x Diffuser
- 3 x HD Stand
- 3 x Remote Control
- 1 x Light Bag
- 1 x Stand Bag
- 3 x Chimera Soft Box

CHECKED BY

ikan

www.ikancorp.com

support@ikancorp.com

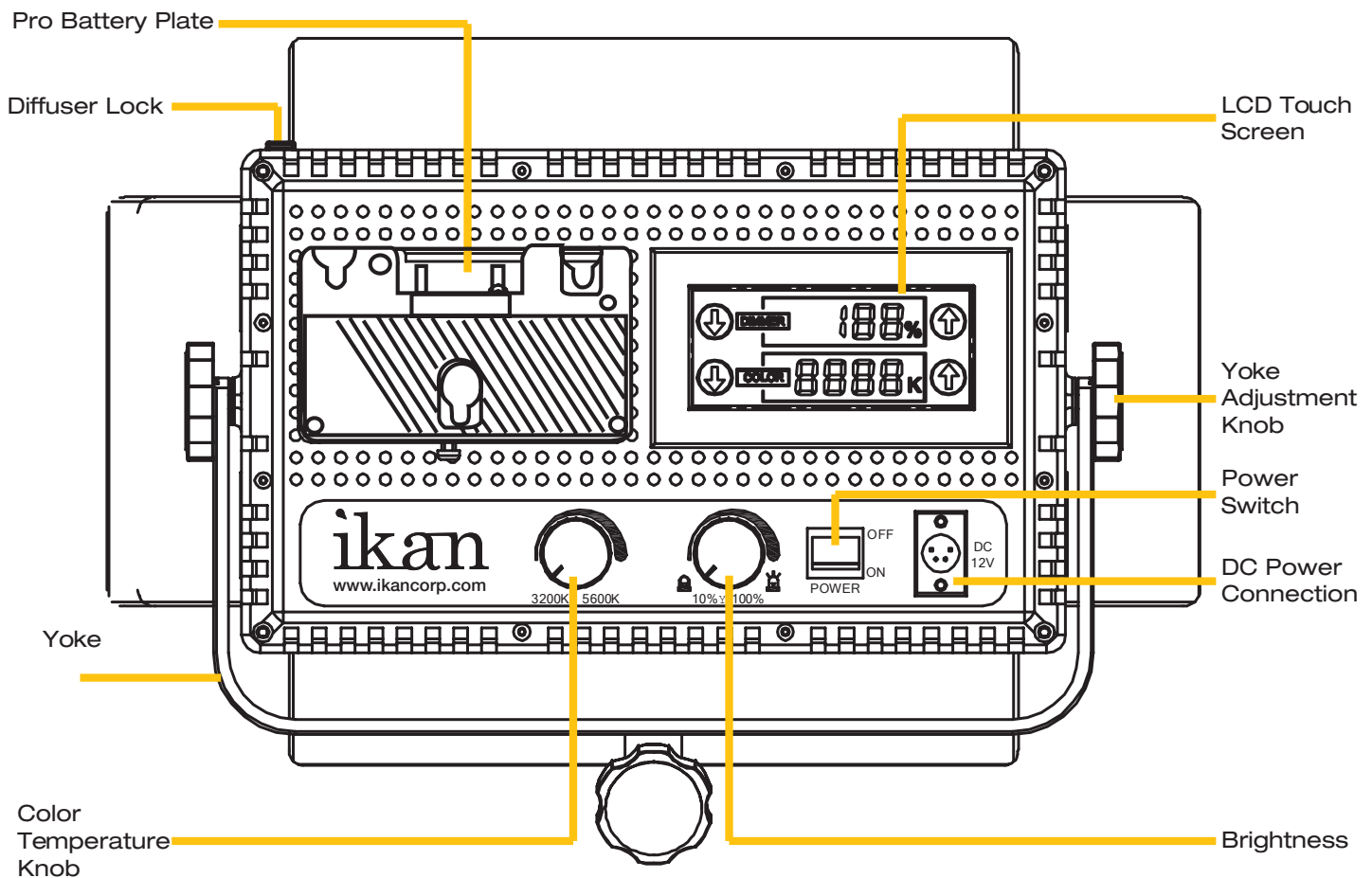
713.272.8822

© 2015 ikan Corporation. All rights Reserved

IFB576-KIT-CH

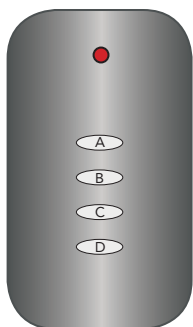
Getting Started

1. Connect the included AC Adapter to power the IFB576 light.
2. Turn the light on/off with the power switch.
3. Control the amount of light with the dimmer knob. Adjust the intensity of the light by turning the dimmer knob clock-wise to increase the intensity, and counter clock-wise to reduce it.
4. The IFB576 can also be powered by pro battery.



Specifications

Specs	
Beam Angle	60°
Build Material	Heavy Duty Plastic
Color Temperature	3200K (±100) / 4000(±100K) / 5600(±100K)
Control	Local Knob Control & Touchscreen
Cooling System	Passive Cooling
Dimming	10-100%
Fixture Size	14 x 8.5 x 2.75 In.
Fixture Weight	4 lbs
Focusing	NO
Foot Candles	323.9 / 4.9 / 587.2
Head Type	Bi-Color 3200K-5600K
Lens	60°
Light Source	288 0.06watt LED @ 5600K / 288 0.06watt LED @ 3200K
Mount	Yoke
Power Supply	12V @ 3.33A
Rating	120V @ 60Hz
Shipping Dimensions	18 x 18 x 24 In.
Shipping Weight	41 lbs

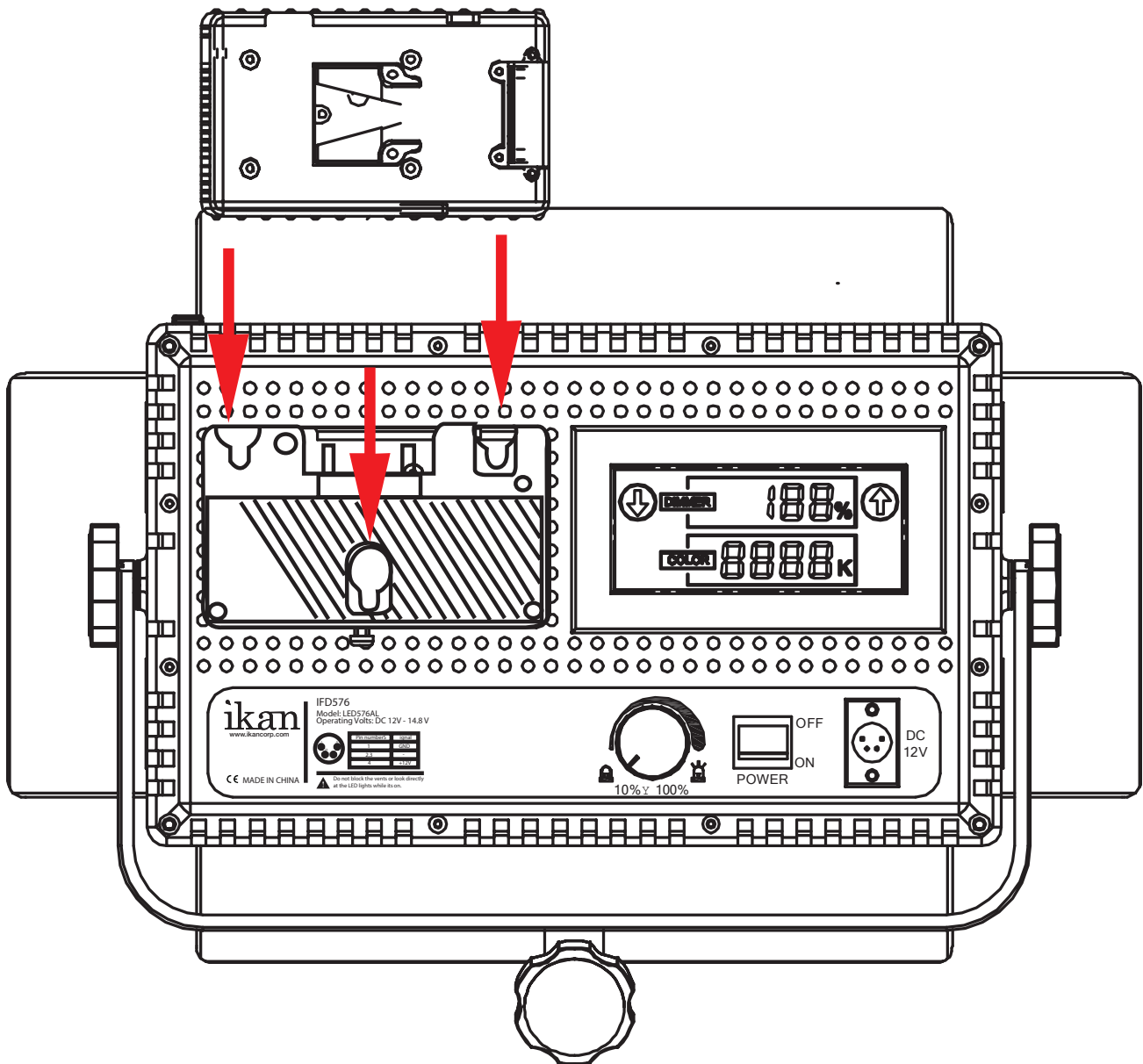


Remote Control Button Functions

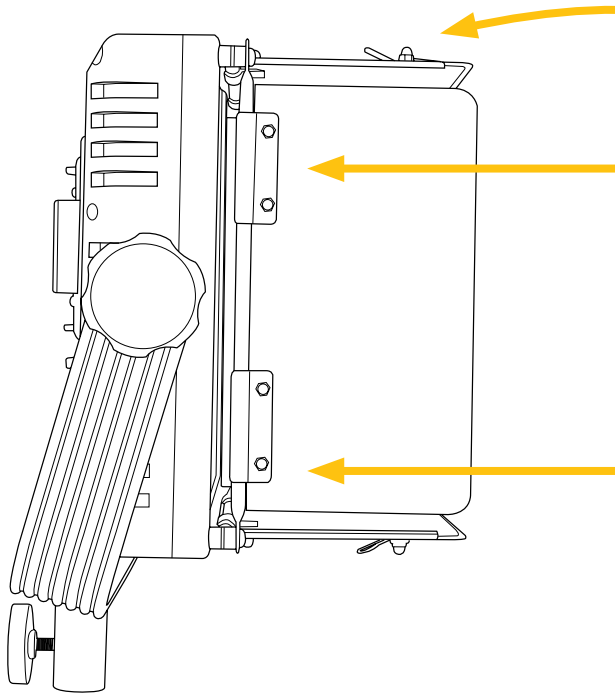
Press and hold (A) for 5 seconds to sync remote control to light.
Press and hold (A) and (B) to power ON/OFF.
Hold down (A) to increase light intensity.
Hold down (B) to decrease light intensity.
Hold down (C) to increase color temperature.
Hold down (D) to decrease color temperature.
Press and hold (C) and (D) for 5 seconds to enable/disable sound.

IFB576-KIT-CH

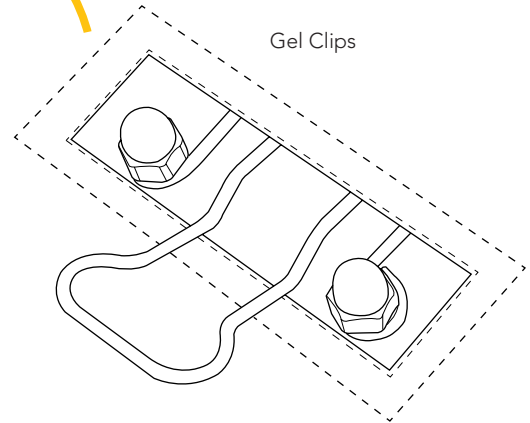
Connecting Gold-Mount to V-Mount



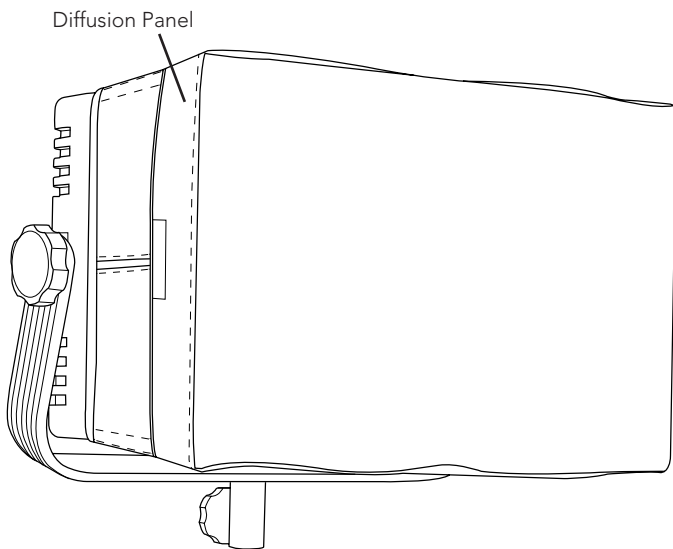
Connecting Chimera Soft Boxes



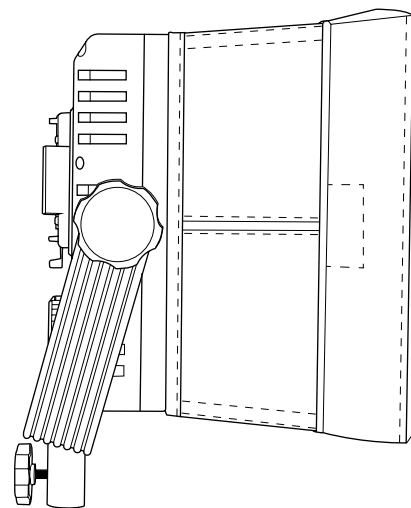
1. Chimera folding frame fits over the outer sides of the light and attach to the gel clips.



2. Chimera folding frame fits over the Gel Clips to hold the chimera on the face of the light.



3. Once the outer frame is attached, the front diffusion panel can be placed on the light.



Learn More

More dynamic information at official website: www.ikancorp.com

Support

Contact email: support@ikancorp.com

CONDITIONS OF WARRANTY SERVICE

- Free service for one year from the day of purchase if the problem is caused by manufacturing errors.
- The components and maintenance service fee will be charged if the warranty period is expired.

Free Service will not be Provided in the Following Situations:(*Even if the product is still within the warranty period.)

- Damage caused by abuse or misuse, dismantling, or changes to the product not made by the company.
- Damage caused by natural disaster, abnormal voltage, and environmental factors, etc.