

# IDK4312-v2

## Kit with 4 x iLED312-v3 QUICKSTART GUIDE



### What's included

- 4 x iLED312-v2 LED Lights w/ Barndoors
- 4 x Compact Stand-v3
- 4 x Light Diffusers
- 4 x A/C Power Adapters
- 8 x Sony "L" Series Style DV Batteries
- 4 x Dual Battery Chargers
- 1 x Carrying Case
- 1 x Stand Bag

Checked by

### CONDITIONS OF WARRANTY SERVICE

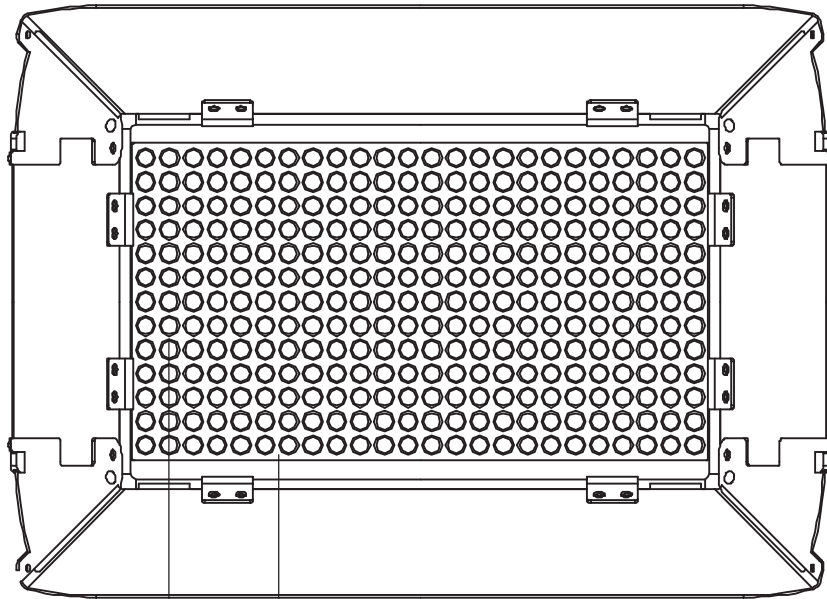
- Free service for one year from the day of purchase if the problem is caused by manufacturing errors.
- The components and maintenance service fee will be charged if the warranty period has expired.

Free Service will not be Provided in the Following Situations: (\* Even if the product is still within the warranty period.)

- Damage caused by abuse or misuse, dismantling, or changes to the product not made by the company.
- Damage caused by natural disaster, abnormal voltage, and environmental factors etc.

# iLED312-v2

## On-Camera Dual Color LED Light QUICKSTART GUIDE



① Wide Angle LEDs

② Diffusion Filter



**Warning:**

- Do not block the vents or look directly at the LED light while its on.
- The body of the light might get hot, after prolong use.

① ②

③ Release Knob

④ Battery Release

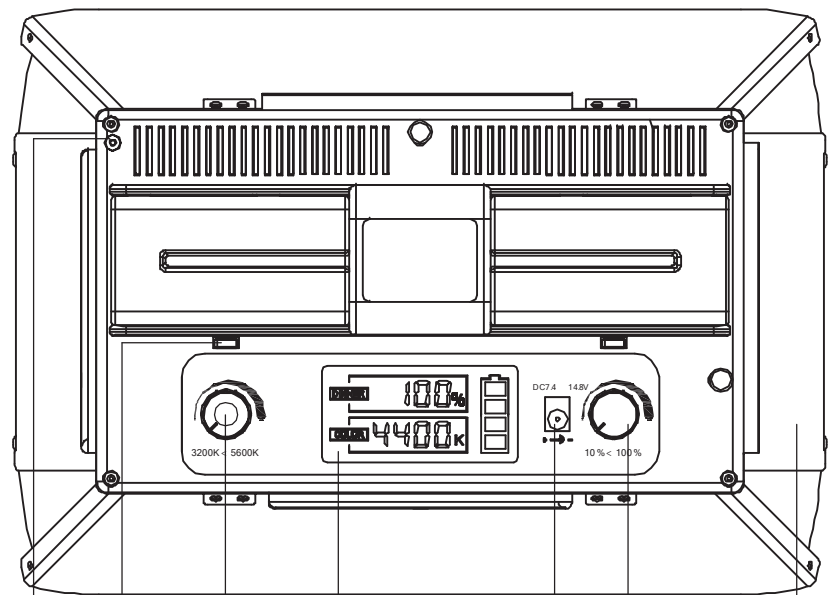
⑤ Variable Color Temperature

⑥ LCD Display

⑦ DV Power

⑧ Built-In Dimmer

⑨ Barndoors

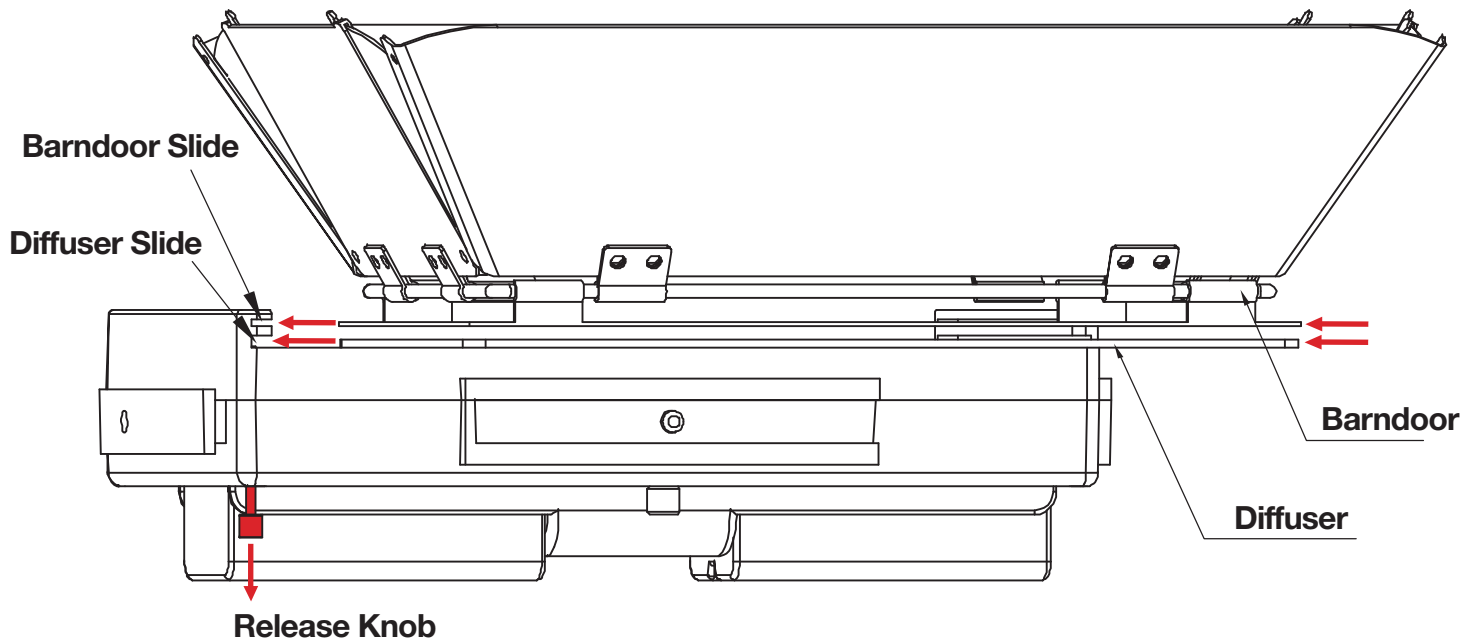


③ ④ ⑤ ⑥ ⑦ ⑧ ⑨

ikan

# iLED312-v2

## On-Camera Dual Color LED Light QUICKSTART GUIDE

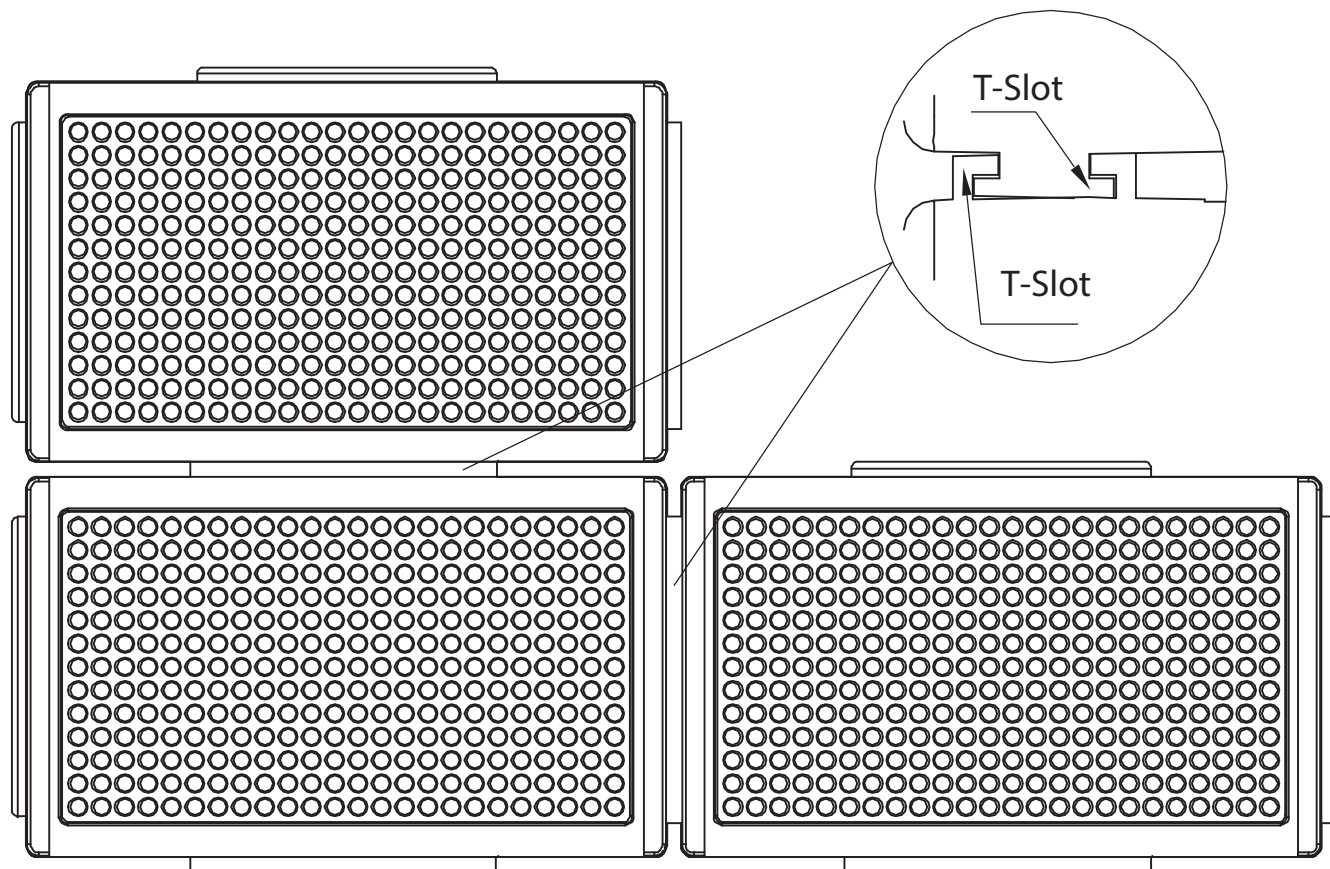


### ATTACHING THE BARNDOOR

The iLED312-v2 light can attach quickly and easily to barndoors. Simply slide the barndoor along the diffuser slide until it locks into place. To release, pull down the knob and slide the barndoor out.

# iLED312-v2

## On-Camera Dual Color LED Light QUICKSTART GUIDE



### T-SLOT

The iLED312-v2 light features T-slots on both the top and bottom and on the sides for easy attachment of multiple 312 lights.

#### SPECIFICATIONS:

Bulb Type: 312 LEDs

Brightness: 6800 lux / 50cm

Color Temperature: 3200 K - 5600 K

Voltage: 7.4V-14.8V

Weight (kg): 0.35

Dimension (mm): 190 x 115 x 35

ikan

[www.ikancorp.com](http://www.ikancorp.com)

713-272-8822