

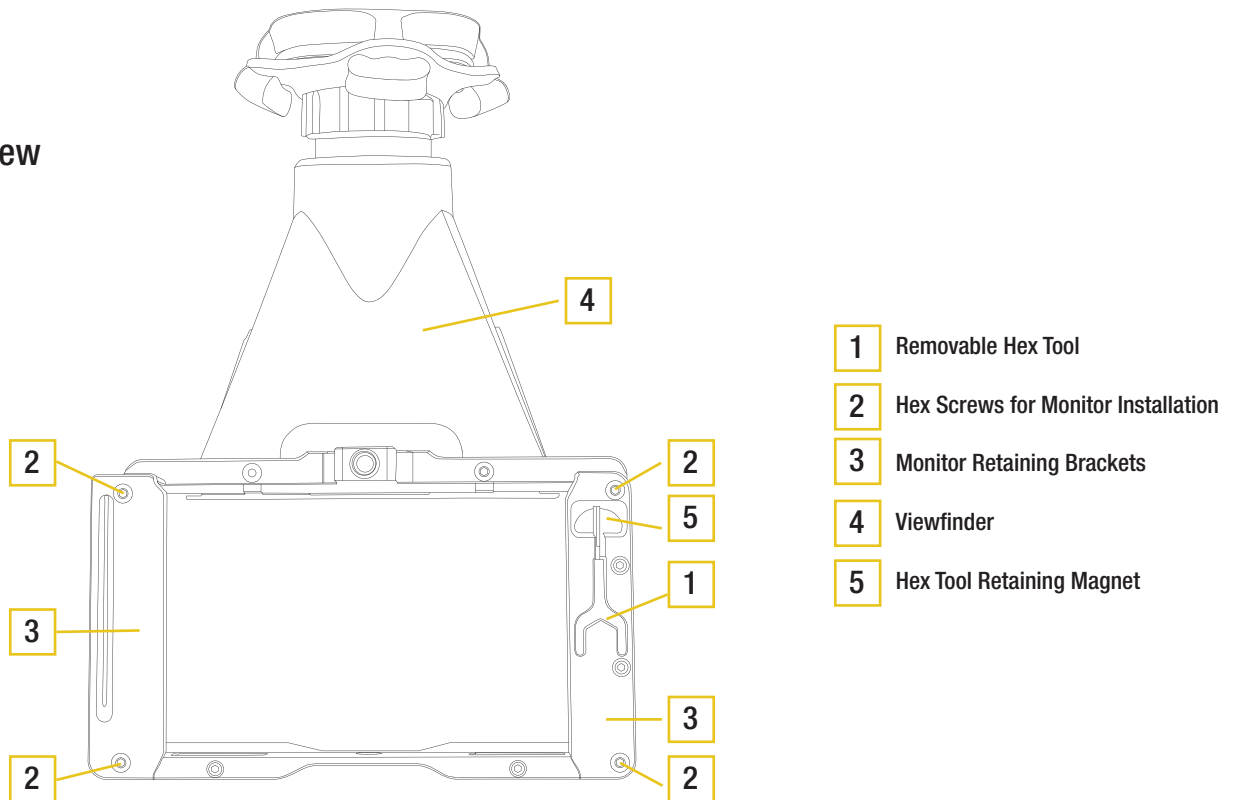


What's Included

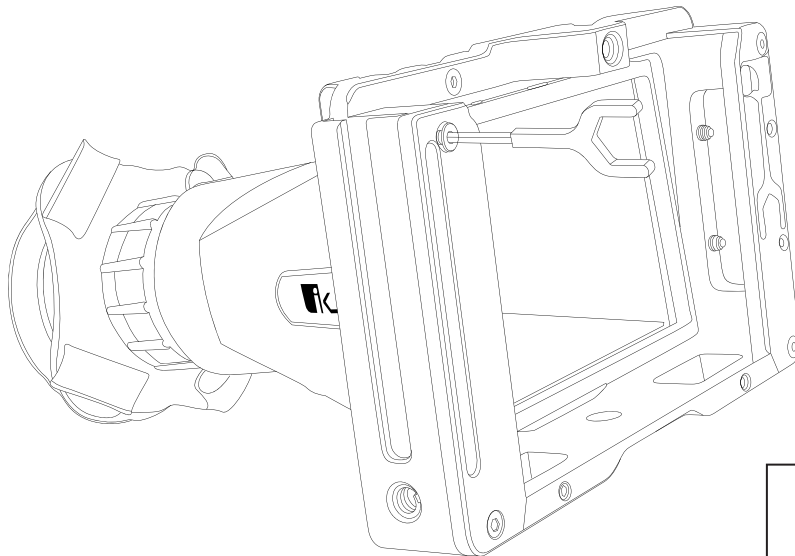
- 1 x EVF50 Cage
- 1 x EVF50 Viewfinder
- 1 x Bluestar Eye Cushion

CHECKED BY

Rear View



Installation



NOTE:
You can also use the hex tool to tighten the cable lock screw.

1. Remove monitor retaining brackets with included hex tool
2. Slide in DH5e monitor from the rear
3. Re-install monitor retaining bracket

Learn More

More dynamic information at official website: www.ikancorp.com

Support

Contact email: support@ikancorp.com

CONDITIONS OF WARRANTY SERVICE

- Free service for one year from the day of purchase if the problem is caused by manufacturing errors.
- The components and maintenance service fee will be charged if the warranty period is expired.

Free Service will not be Provided in the Following Situations:(*Even if the product is still within the warranty period.)

- Damage caused by abuse or misuse, dismantling, or changes to the product not made by the company.
- Damage caused by natural disaster, abnormal voltage, and environmental factors, etc.

©2018 ikan Corporation. All rights reserved

