

# ELEMENTS DELUXE FLY

---

## ELE-FLY-DELUXE QUICKSTART GUIDE



---

### CONDITIONS OF WARRANTY SERVICE

- Free service for one year from the day of purchase if the problem is caused by manufacturing errors.
- The components and maintenance service fee will be charged if the warranty period has expired.

Free Service will not be Provided in the Following Situations: (\* Even if the product is still within the warranty period.)

- Damage caused by abuse or misuse, dismantling, or changes to the product not made by the company.
- Damage caused by natural disaster, abnormal voltage, and environmental factors etc.

# ELEMENTS DELUXE FLY

## ELE-FLY-DELUXE QUICKSTART GUIDE



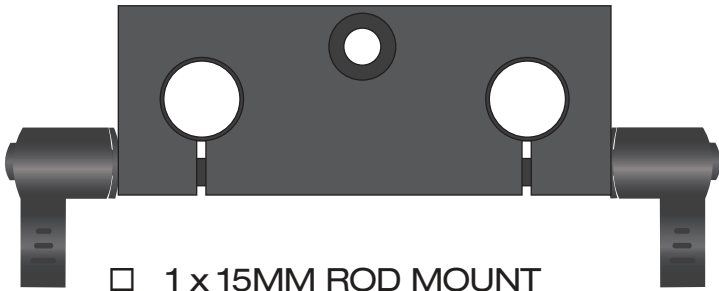
□ 2 x GRIP BAR



□ 5 x DRINGS



□ 2 x COUNTER SINK SCREW 4MM



□ 1 x 15MM ROD MOUNT



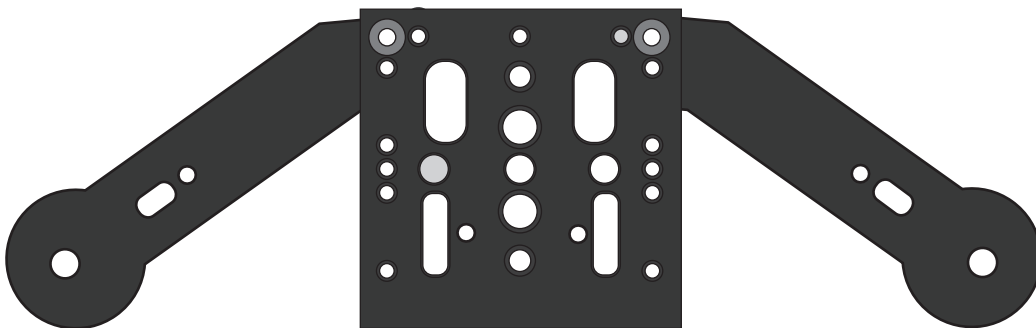
□ 1 x STANDARD ALLEN WRENCH



□ 2 x 15MM ROD 6 IN



□ 1 x METRIC ALLEN WRENCH



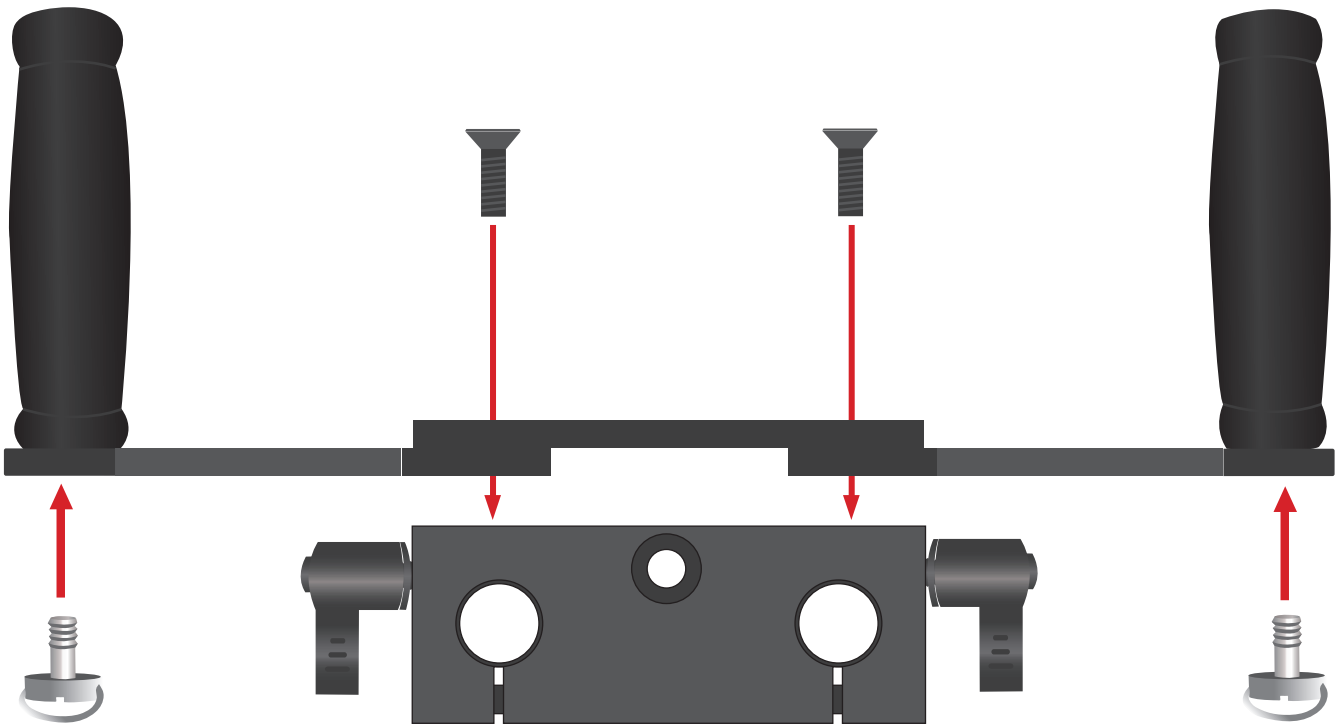
□ 1 x CHEESE PLATE W/HANDLES

# ELEMENTS DELUXE FLY

## ELE-FLY-DELUXE ASSEMBLY STEP 1

### FORWARD VIEW

1. Align circular opening on the handle (ELE-HDL) with the 1/4-20" thread on Grip Bar (ELE-GB-F) and screw in D-Rings.



# ELEMENTS DELUXE FLY

## ELE-FLY-DELUXE ASSEMBLY STEP 2

### TOP VIEW

2. Align countersink hole on corners of cheese plate (ELE-PT) with 4mm thread on top of 15mm Rod Mount (ELE-15RM) and screw in 4mm countersink screw.

