

ELE-TRIFLY

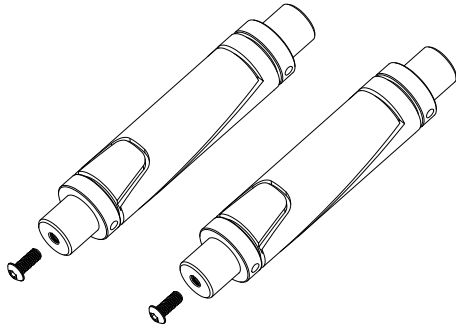
TriFly Cinema Camera Handheld Rig QUICKSTART GUIDE



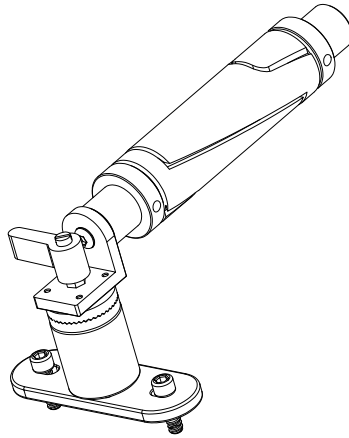
ELE-TRIFLY

TriFly Cinema Camera Handheld Rig QUICKSTART GUIDE

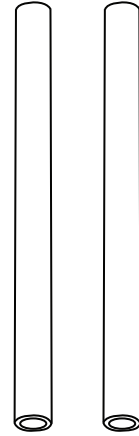
What's included



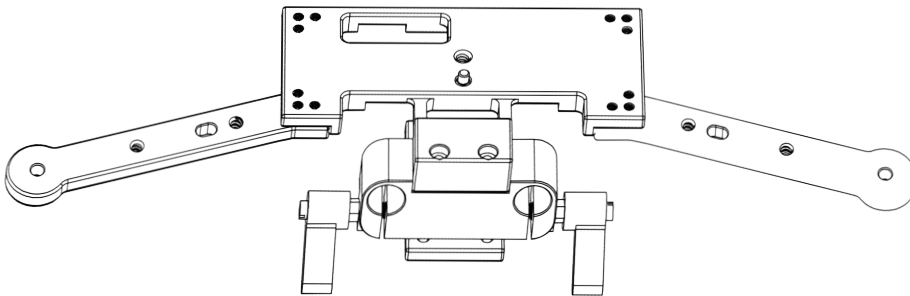
- 2 x Grip Handle
- 2 x Screw



- 1 x Top Grip Handle



- 2 x 12" Rod
(ELE-15R12)



- 1 x Baseplate



- 1 x DRS-01

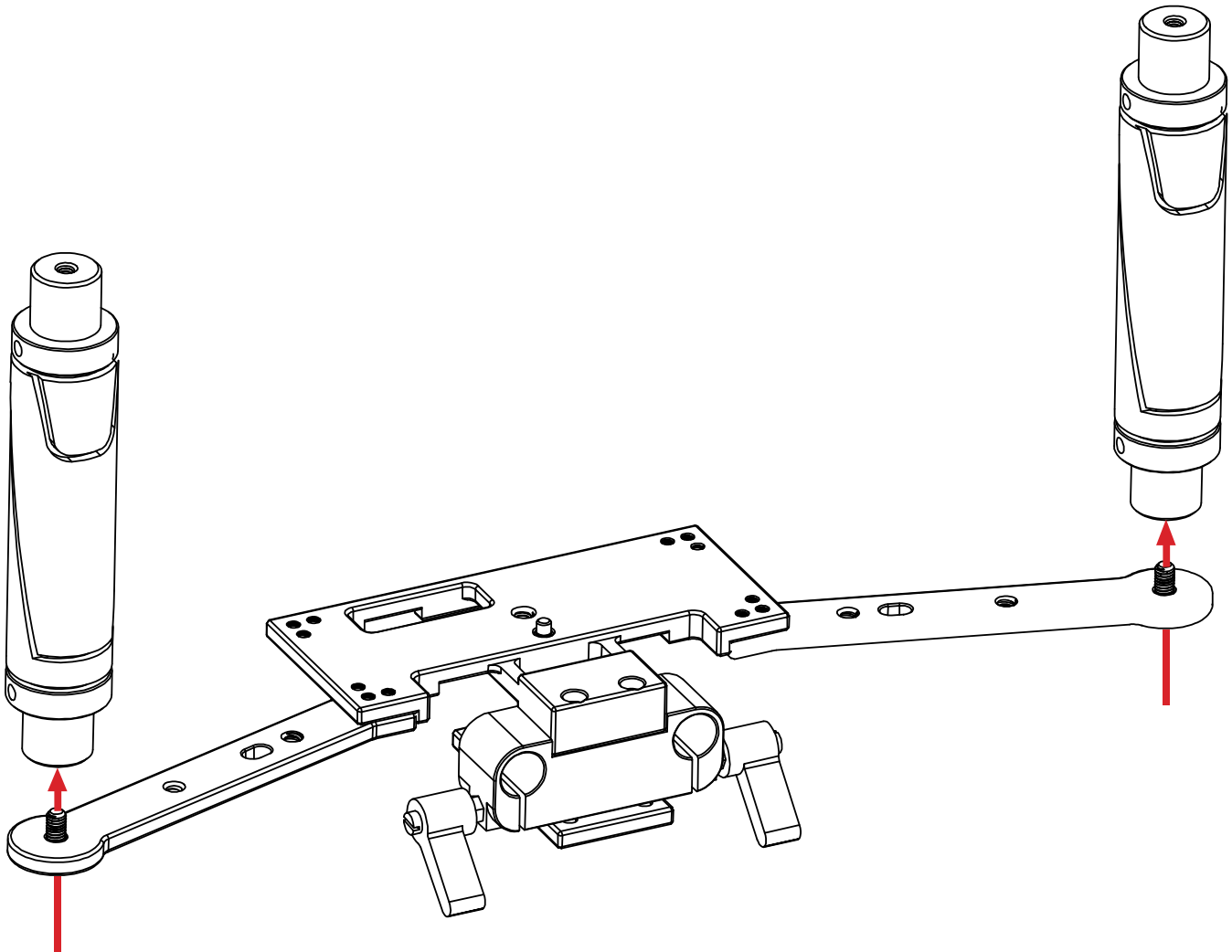
ELE-TRIFLY

TriFly Cinema Camera Handheld Rig QUICKSTART GUIDE

Assembling your Trifly is quick and easy, since the majority of the rig has already been pre-assembled for you.

STEP 1

Secure the heavy duty Comfort Hand Grips to the Handle Arms, using the included 1/4-20 Hex Screws and tighten them with the Hex Key.

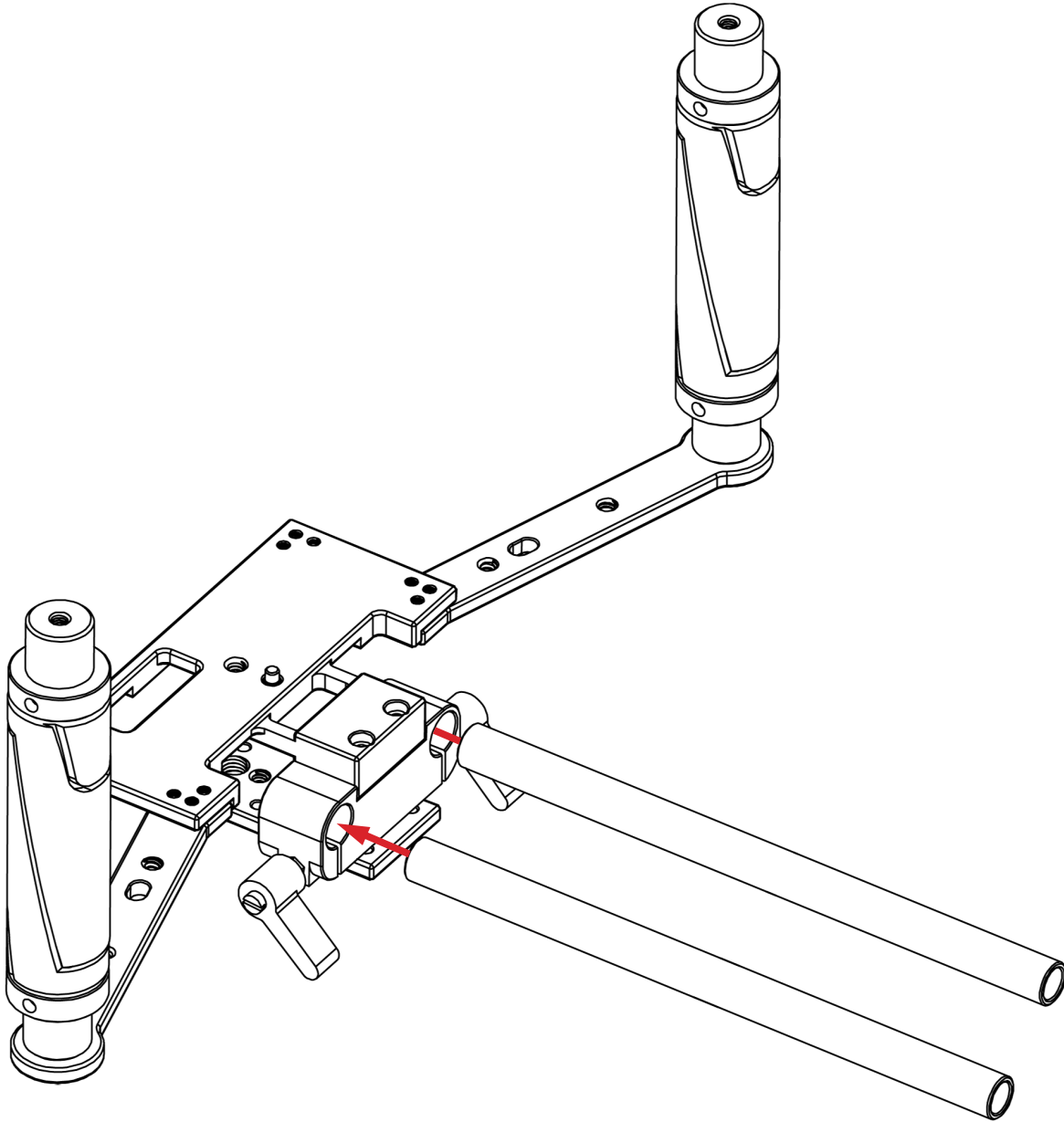


ELE-TRIFLY

TriFly Cinema Camera Handheld Rig QUICKSTART GUIDE

STEP 2

Next, insert the 12" Rods into the front Rod Mount of the BlackMagic Base Plate (BMC-BP), slide them into desired position and then tighten the Adjustable Thumb Screws to lock them in place.

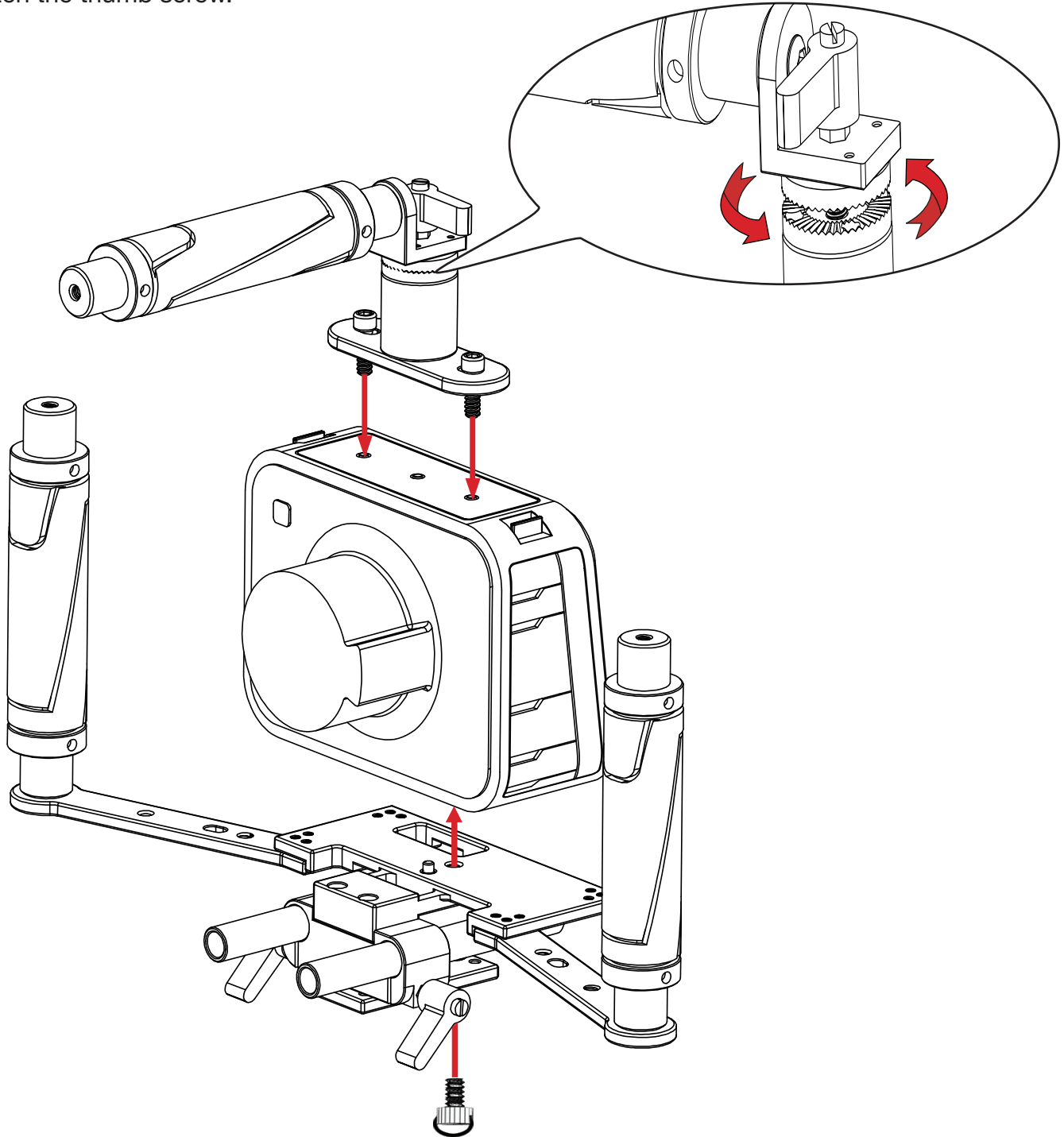


ELE-TRIFLY

TriFly Cinema Camera Handheld Rig QUICKSTART GUIDE

STEP 3

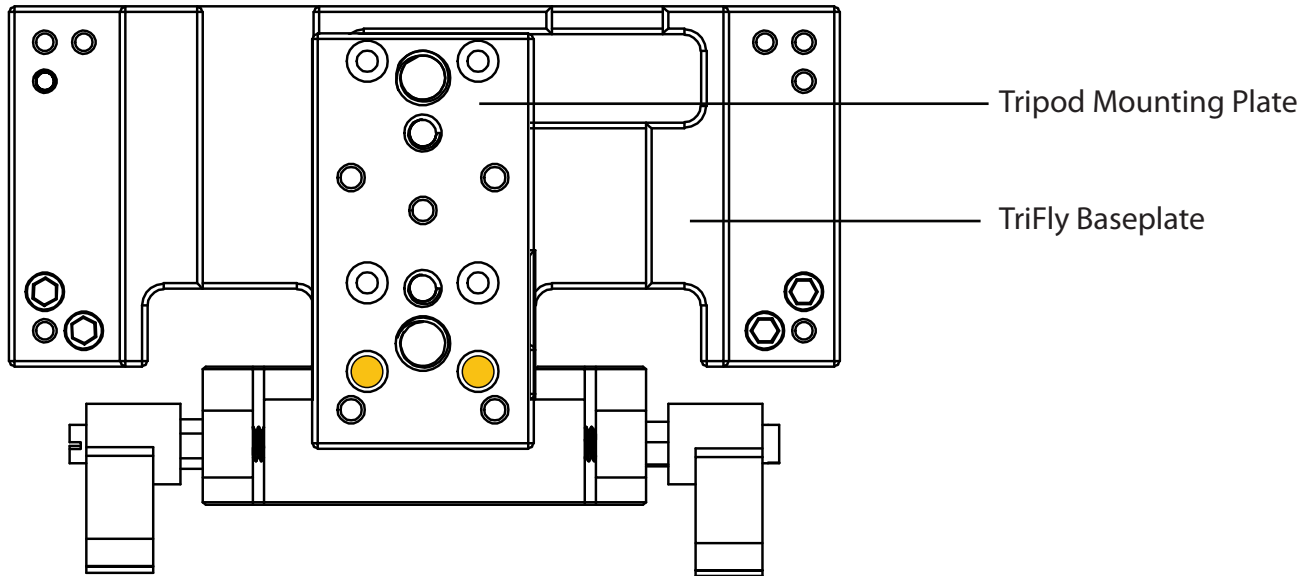
Mount the Rosette Grip Handle with two screws to the top of your Cinema Camera. Note that the rosette grip handles can turn 360 degrees. Simply loosen the thumb screw, move it to desired position and then tighten the thumb screw.



ELE-TRIFLY

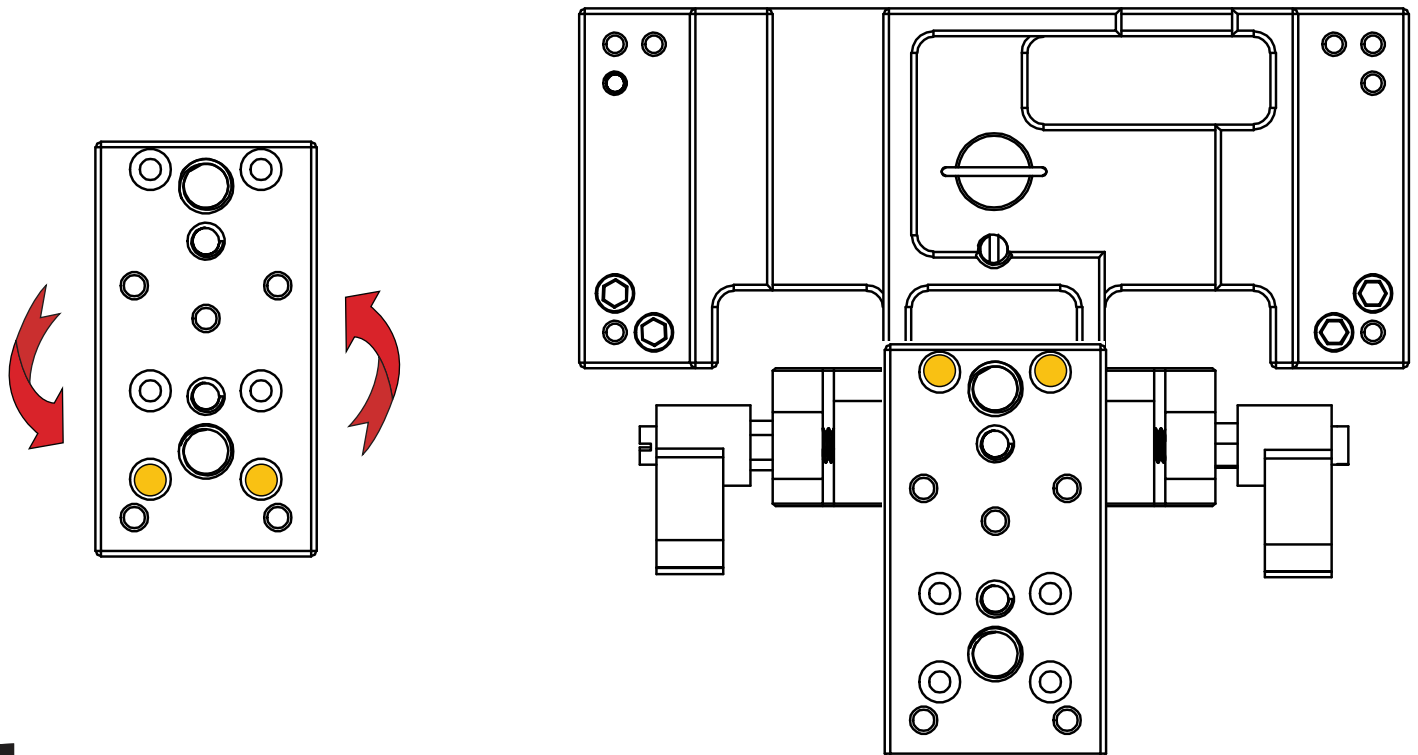
TriFly Cinema Camera Handheld Rig QUICKSTART GUIDE

Bottom View of Baseplate



Optional configurations for tripod mounting plate:

Unscrew the tripod mounting plate from the TriFly baseplate and turn it 180° and screw back in. This will give you easier access to the D-Ring to mount or loosen your camera.



ikan

www.ikancorp.com

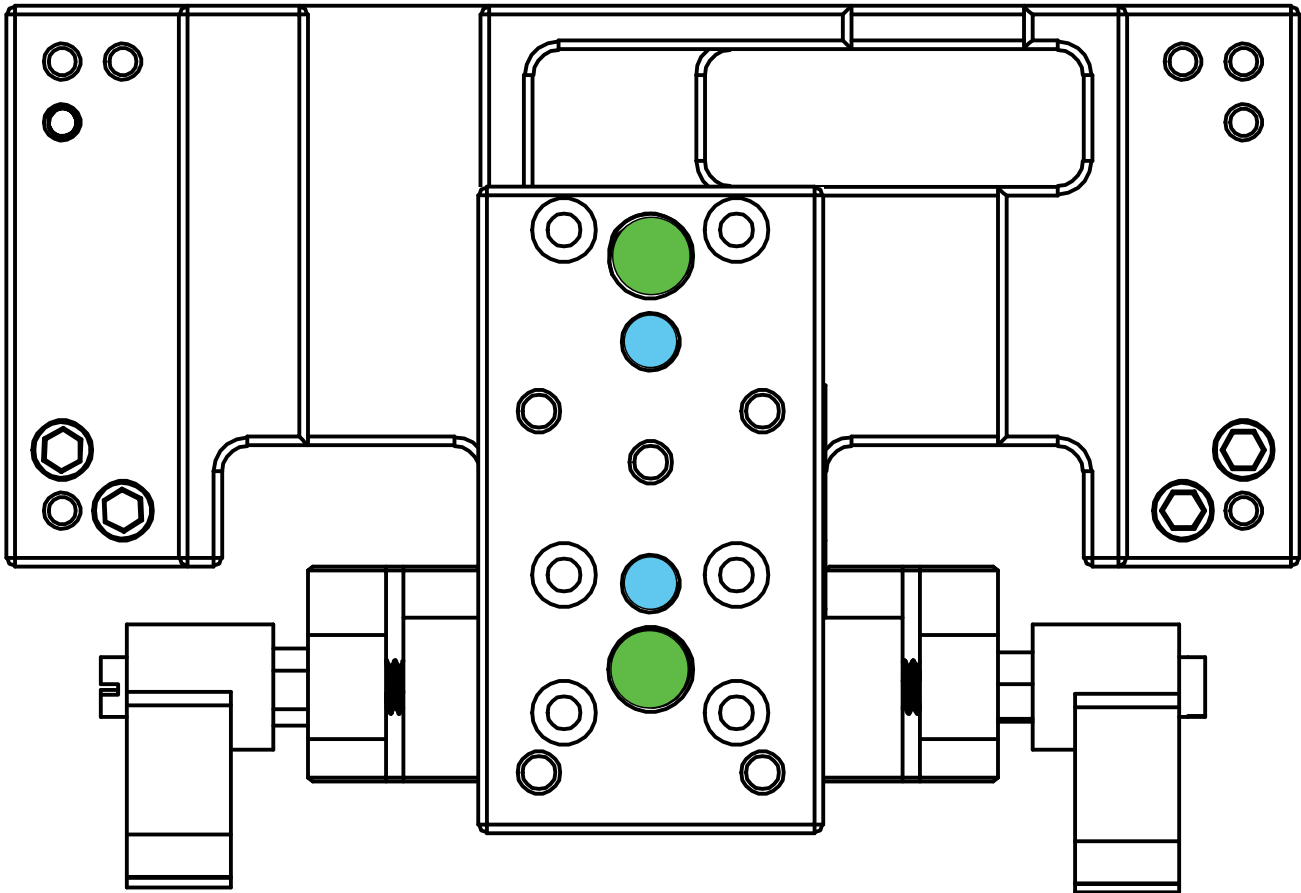
713-272-8822

ELE-TRIFLY



TriFly Cinema Camera Handheld Rig QUICKSTART GUIDE

BASE PLATE ATTACHMENT POINTS

There are a total of four threaded attachment points for your base plate; two 3/8-16 and two 1/4-20 threaded holes for you to choose from. Simply tighten the screw from your base plate into the appropriate hole for easy mounting and unmounting from your tripod's quick release.



Screw thread sizes

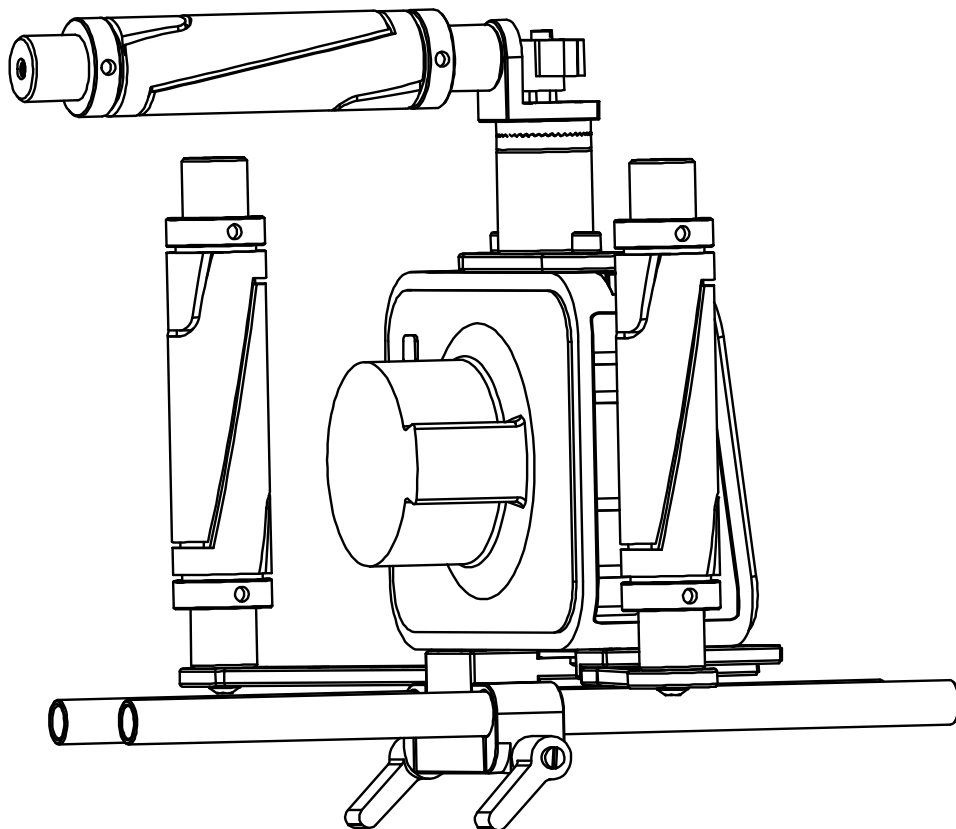
-  3/8-16
-  1/4-20

ELE-TRIFLY

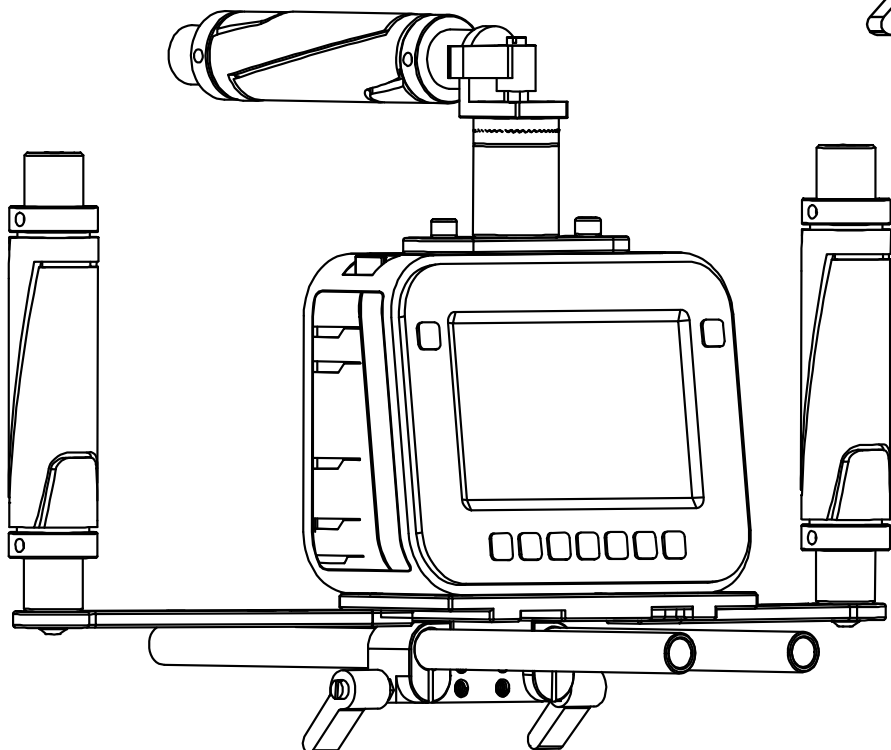
TriFly Cinema Camera Handheld Rig QUICKSTART GUIDE

COMPLETE ASSEMBLY

Front View



Rear View



ikan

www.ikancorp.com

713-272-8822