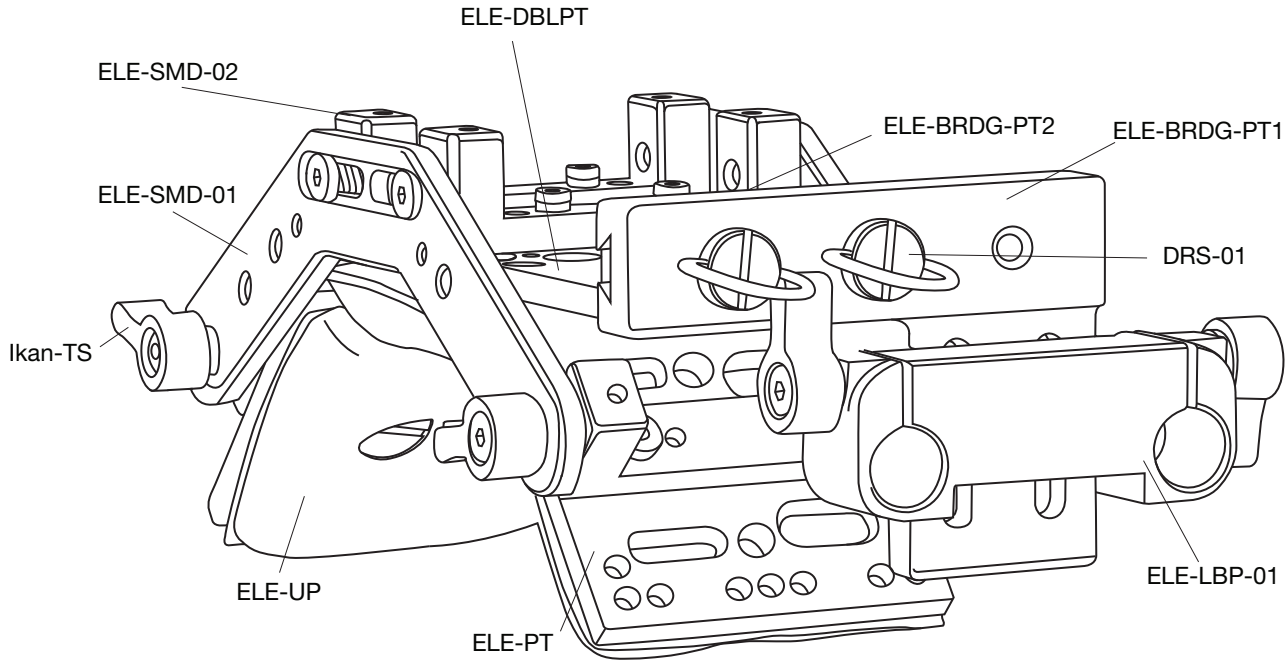


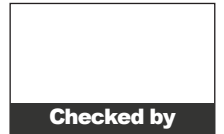
ELE-SSM

EV2 Shoulder Mount QUICKSTART GUIDE



Whats included

- Component Listing
 - 1 x Rod Clamp (ELE-LBP-01)
 - 1 x Double Cheese Plate (ELE-DBLPT)
 - 1 x Bridge Plate 1 (ELE-BRDG-PT1)
 - 1 x Bridge Plate 2 (ELE-BRDG-PT2)
 - 2 x Shoulder Side Plate (ELE-SMD-01)
 - 4 x Shoulder Pad Strut (ELE-SMD-02)
 - 2 x D-Ring (DRS-01)
 - 3 x Universal Pad (ELE-UP)
 - 2 x Cheese Plate (ELE-PT)
 - 4 x Thumb Screw Nut (Ikan-TS)
- 1 x Hex Key 3mm



CONDITIONS OF WARRANTY SERVICE

- Free service for one year from the day of purchase if the problem is caused by manufacturing errors.
- The components and maintenance service fee will be charged if the warranty period has expired.

Free Service will not be Provided in the Following Situations: (** Even if the product is still within the warranty period.)

- Damage caused by abuse or misuse, dismantling, or changes to the product not made by the company.
- Damage caused by natural disaster, abnormal voltage, and environmental factors etc.

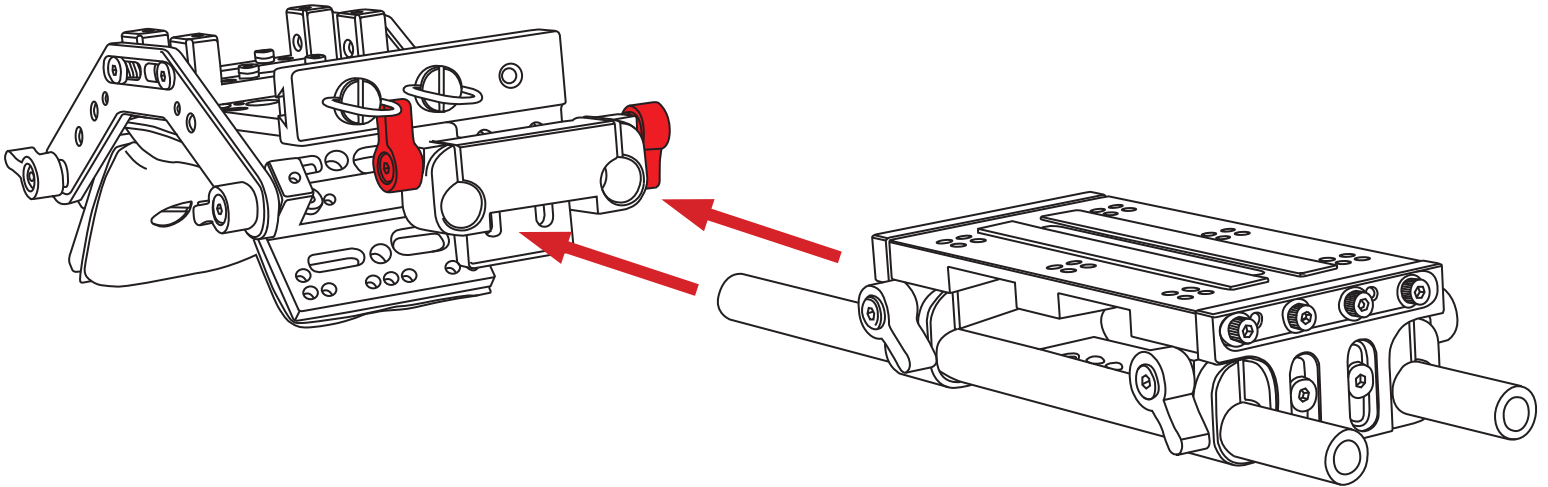
ELE-SSM

EV2 Shoulder Mount QUICKSTART GUIDE

Optional Accessories

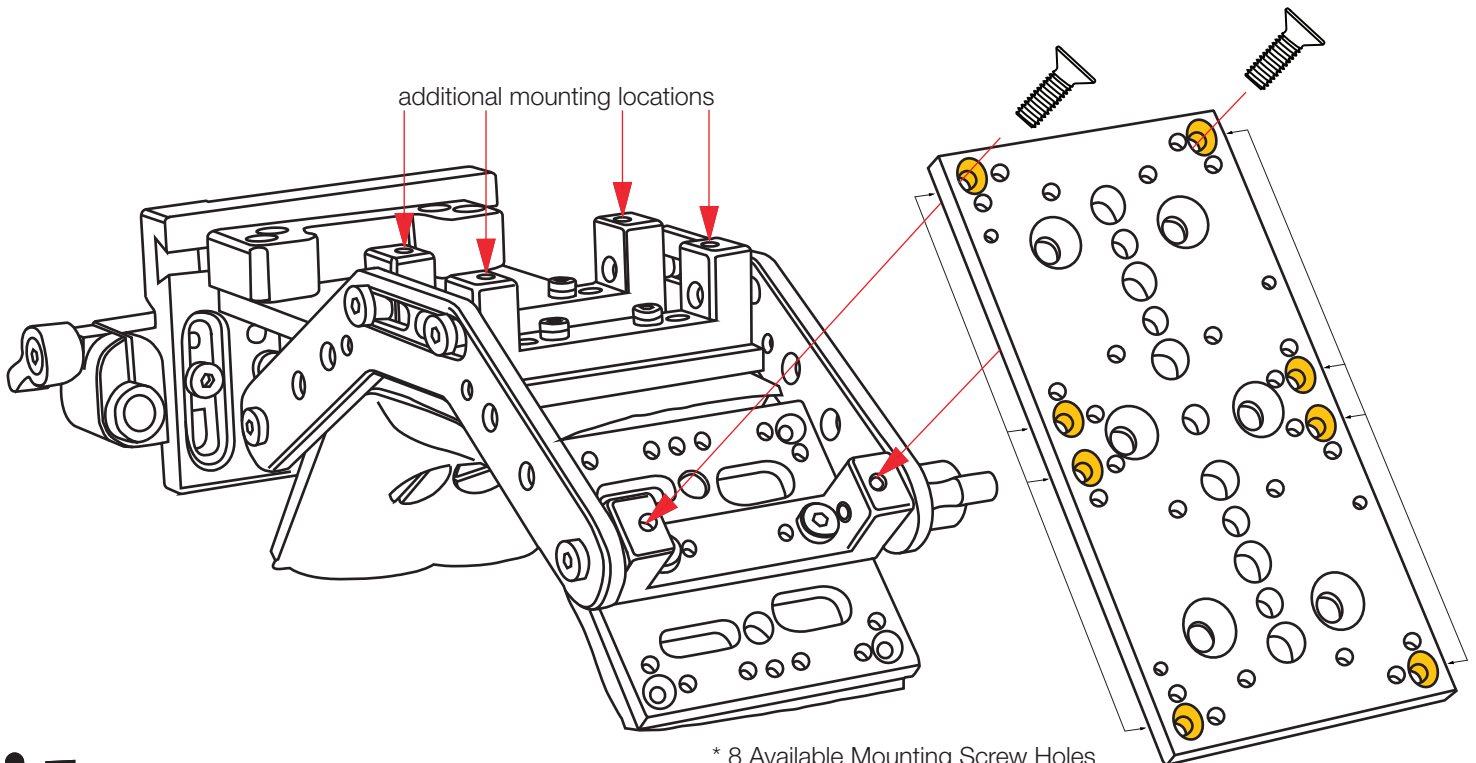
ikan ELE-LBP Large Baseplate

Connect the Shoulder Mount to the Baseplate, by sliding the Baseplate's Rods [ELE-15_12] into the Rod Clamp [ELE-LBP-01] and tightening the Thumb Screws [Ikan-TS].



ikan ELE-DBLPT Double Cheese Plate

Mount the Double Cheese Plate [ELE-DBLPT] on the back of the Shoulder Mount for additional mounting options. There are various available mounting locations.



* 8 Available Mounting Screw Holes

ikan

www.ikancorp.com

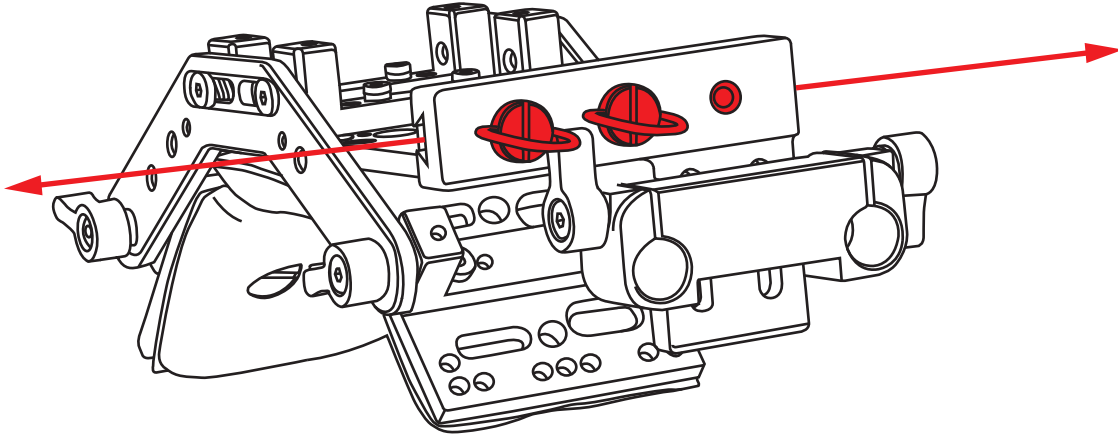
713-272-8822

ELE-SSM

EV2 Shoulder Mount QUICKSTART GUIDE

Horizontal Adjustment

To make horizontal adjustments on the Shoulder Mount, simply loosen the D-Rings, slide and tighten at desired position.



Vertical Adjustment

Vertical Adjustments to the Shoulder Piece can be made by loosening the Hex Screws located on the inside of the unit.

