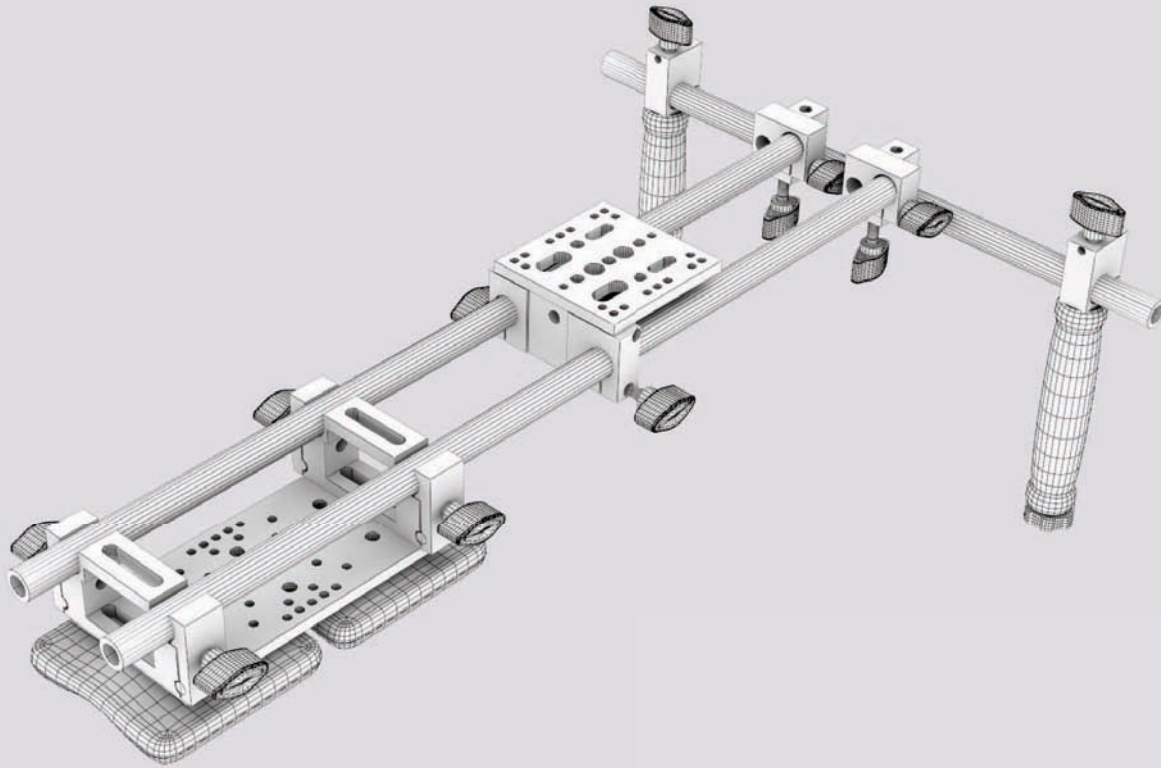
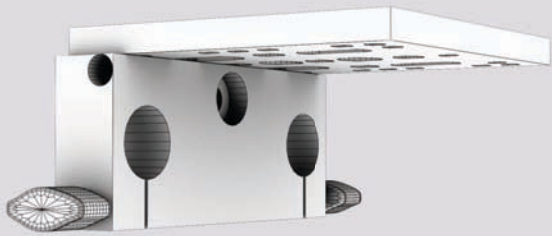


ELE-SMB

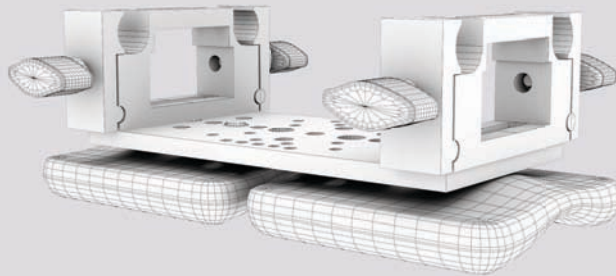
Shoulder Mount Basic QUICKSTART GUIDE



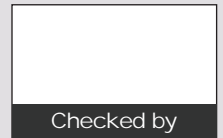
What's included



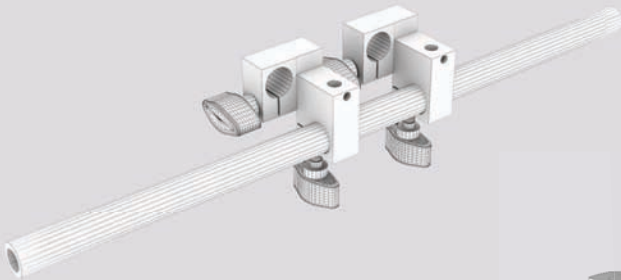
□ 1 x ELE-PT & ELE-15RM



□ 1 x ELE-DBLPT, ELE-UP(2) & ELE-15QRA(2)



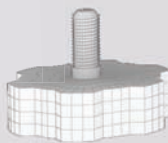
Checked by



□ 1 x ELE-15R12, ELE-90-15RDA(2)
& ELE-15RDA(2)



□ 1 x ELE-15R18 (pair)



□ 1 x Rosette Screw



□ 2 x ELE-15RDA
& ELE-GB-F

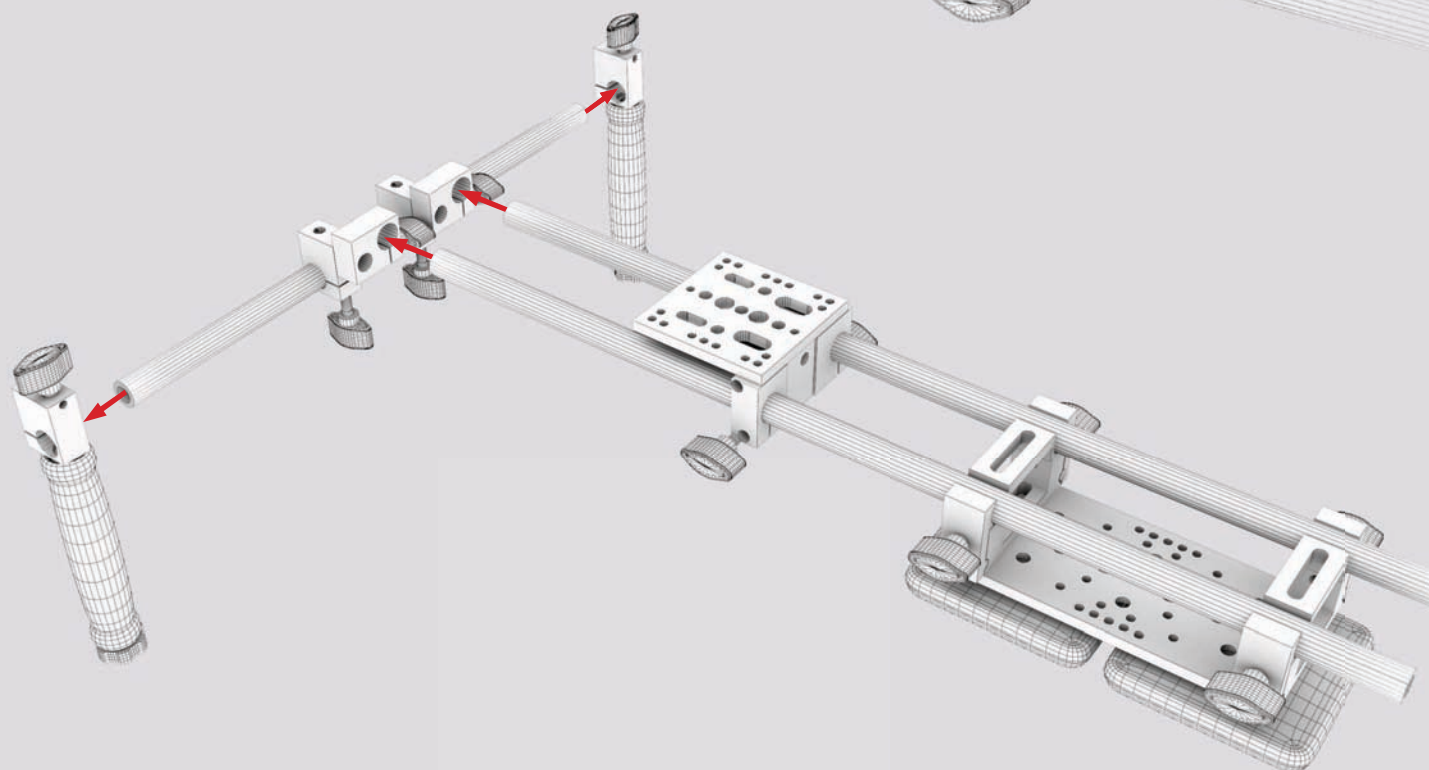
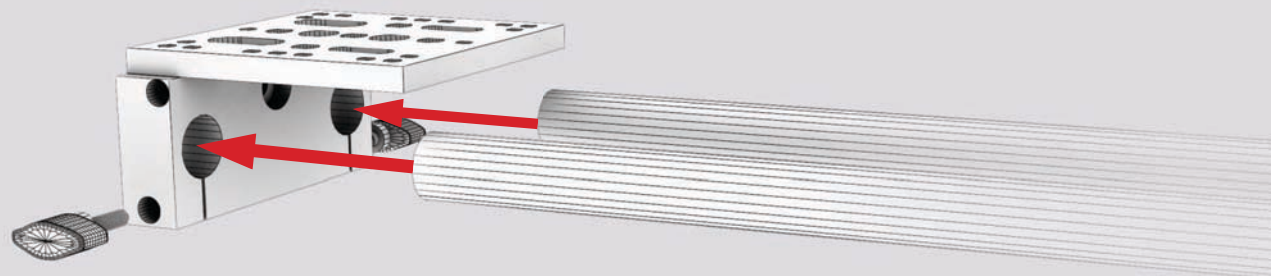
ikan

www.ikancorp.com

713-272-8822

ELE-SMB

Shoulder Mount Basic QUICKSTART GUIDE



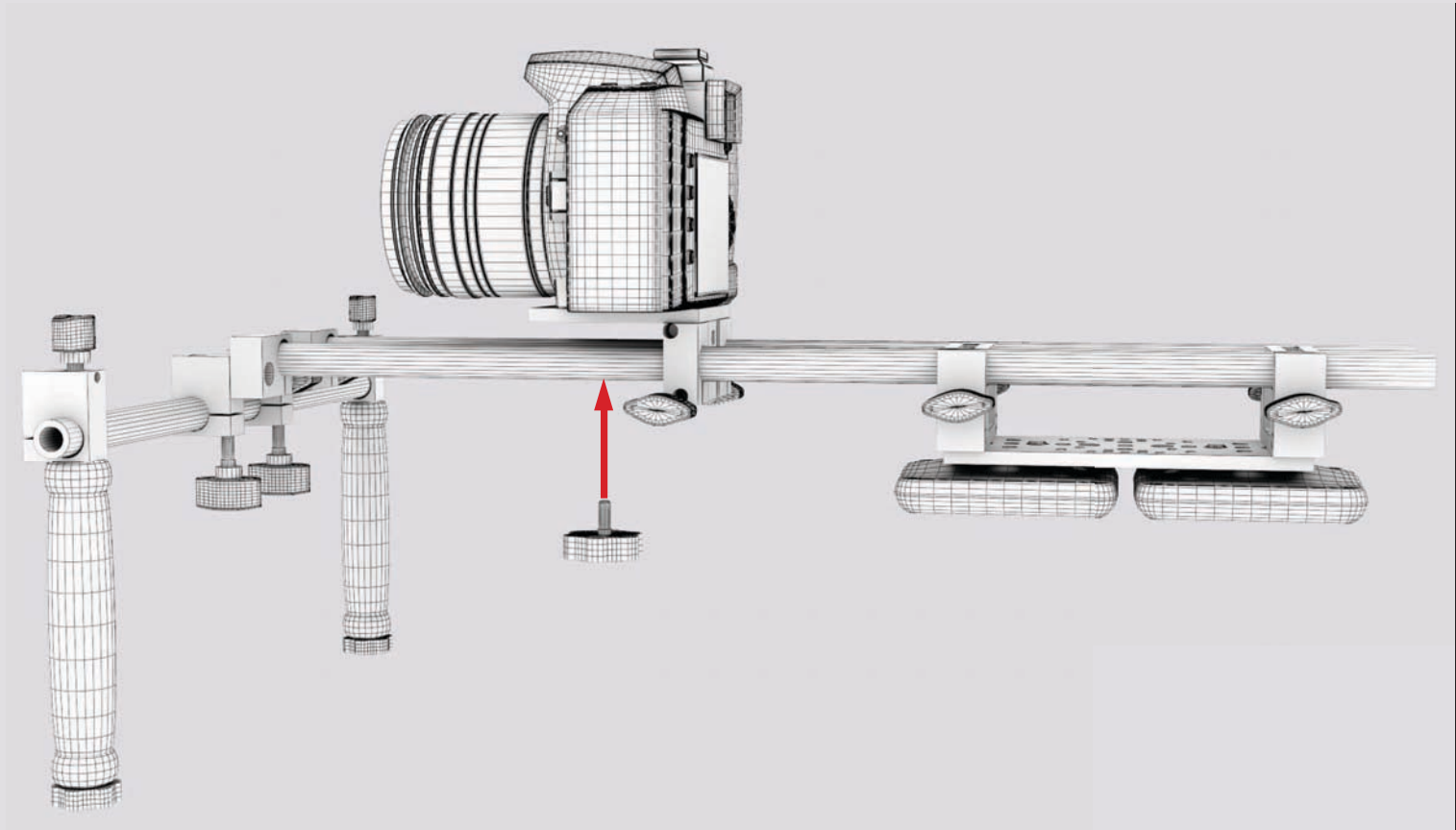
ikan

www.ikancorp.com

713-272-8822

ELE-SMB

Shoulder Mount Basic QUICKSTART GUIDE



CONDITIONS OF WARRANTY SERVICE

- Free service for one year from the day of purchase if the problem is caused by manufacturing errors.
- The components and maintenance service fee will be charged if the warranty period has expired.

Free Service will not be Provided in the Following Situations: (** Even if the product is still within the warranty period.)

- Damage caused by abuse or misuse, dismantling, or changes to the product not made by the company.
- Damage caused by natural disaster, abnormal voltage, and environmental factors etc.