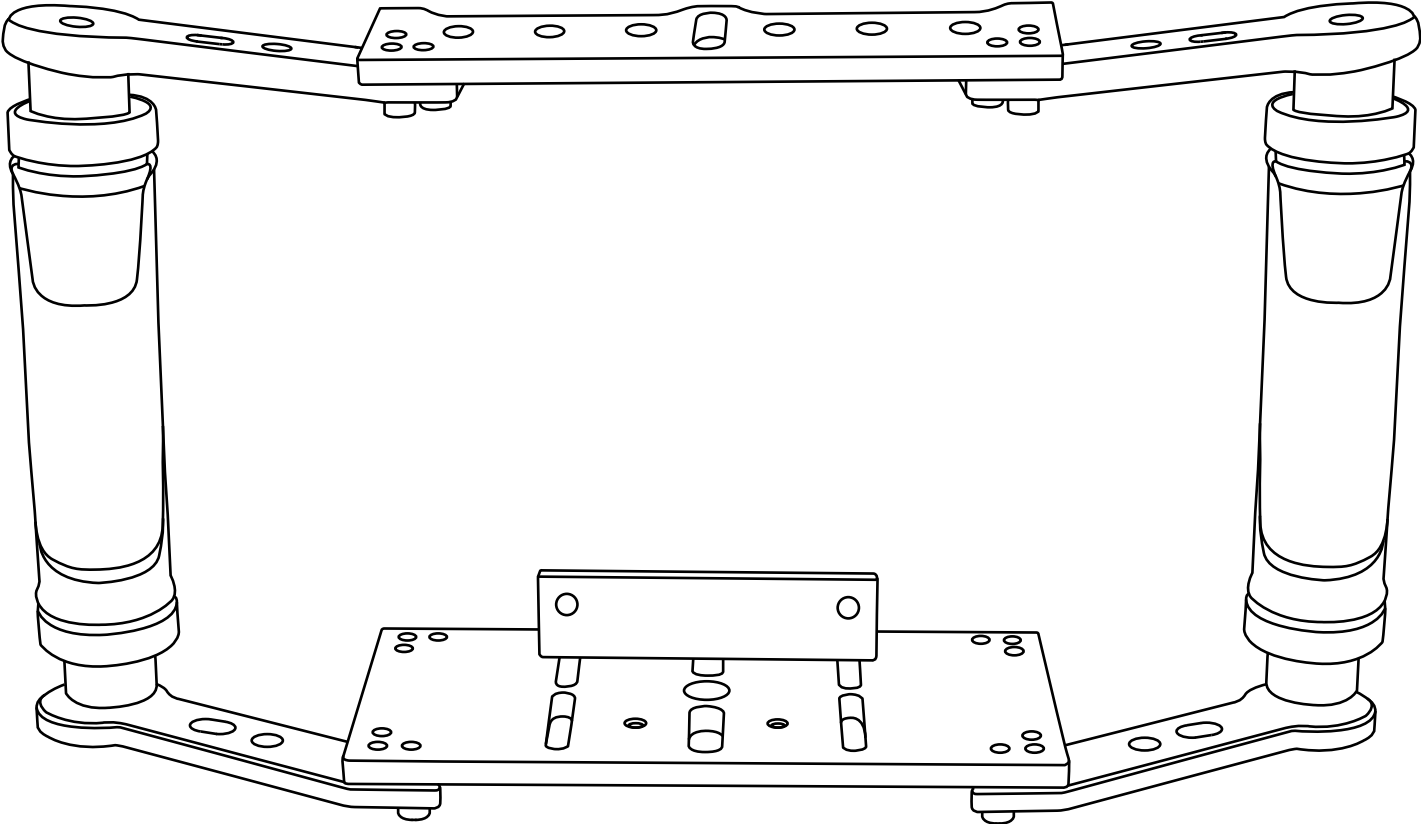


# Monitor Support

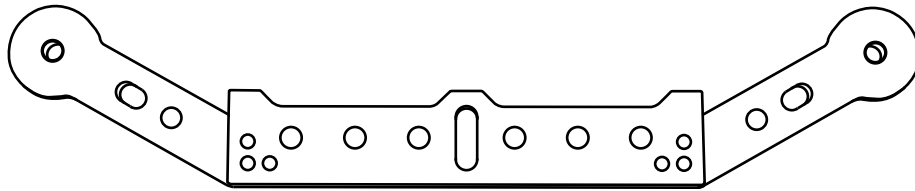
## Monitor Support QUICKSTART GUIDE



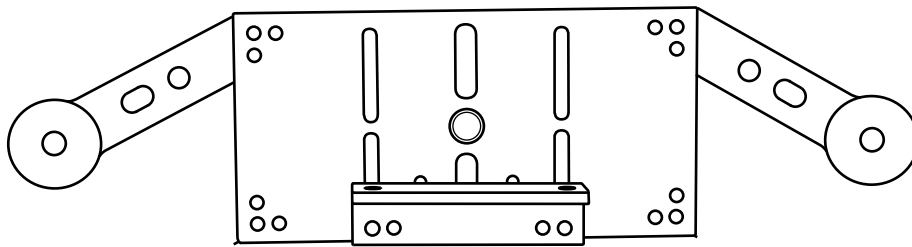
# Monitor Support

## Monitor Support QUICKSTART GUIDE

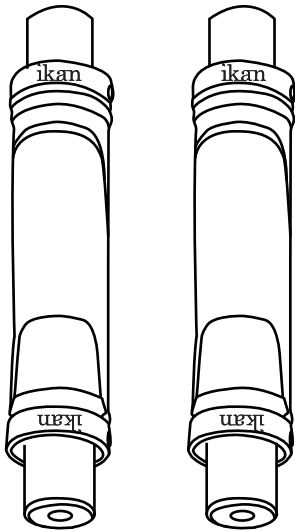
### What's included



- 1 x ELE-BXT, 2 x ELE-HDLE



- 1 x ELE-BXT, 1 x ELE-BXB,  
1 x ELE-90-M, 2 x ELE-HDLE



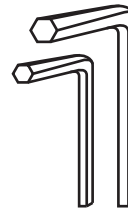
- 2 x Handle Bar 160



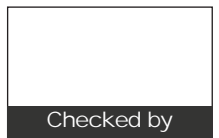
- 1 x DRS-01



- 4 x 1/4-20-3/4 inch  
Socket Head Screw



- 1 x HEX KEY 2.5mm
- 1 x HEX KEY 5/32 inch



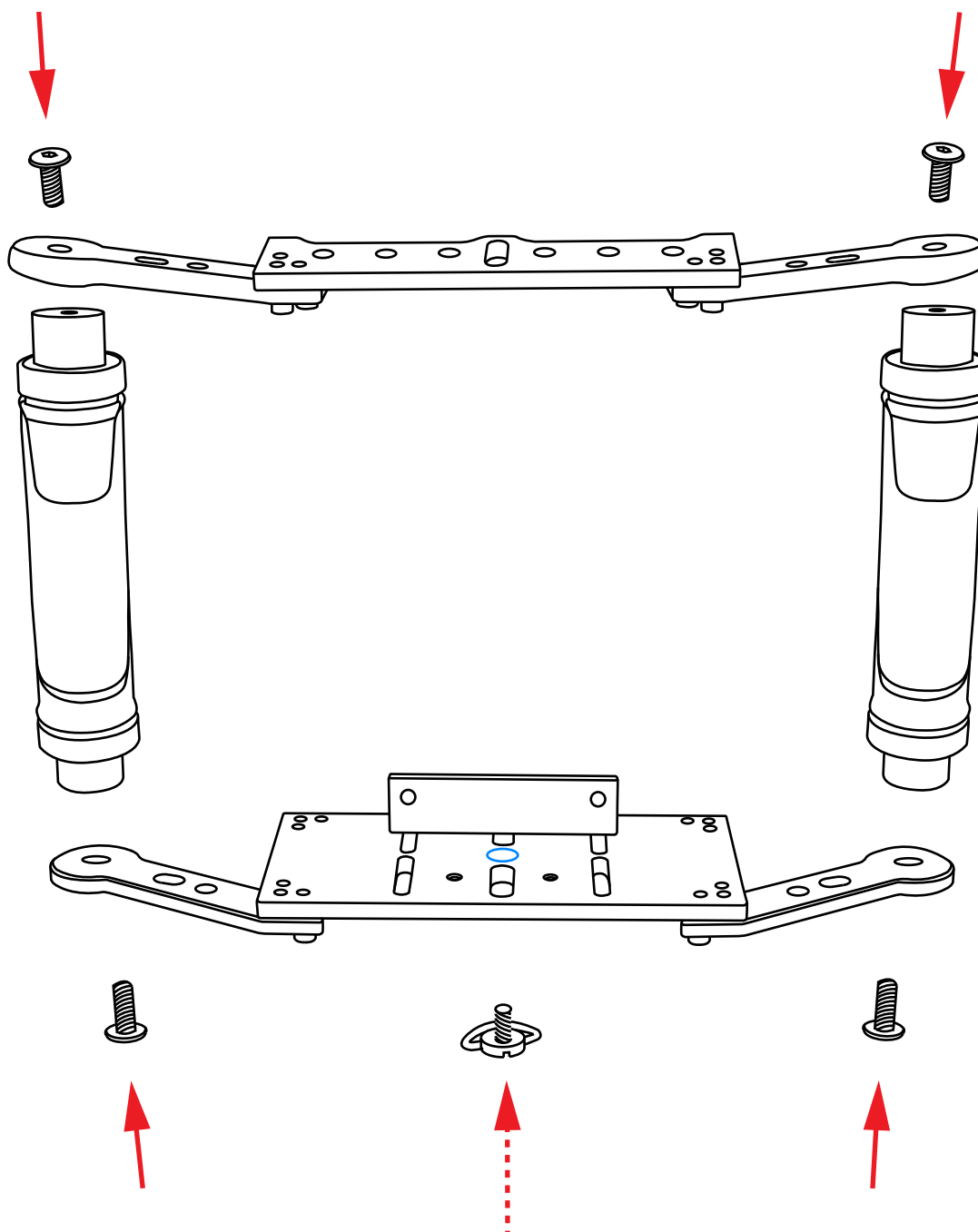


# Monitor Support

## Monitor Support QUICKSTART GUIDE

### PRODUCT ASSEMBLY

Assembling your Monitor Support is quick and easy, since the majority of the rig has already been pre-assembled for you. Line up the holes on the Handle Bars with the holes of the Handle Arms, insert the 1/4-20 Screws and tighten using the included Hex Key. Next, attach your Monitor to the bottom Plate, using the D-Ring, and tighten securely.



# Monitor Support

## Monitor Support QUICKSTART GUIDE

### MOUNTING POINTS

There are numerous 1/4-20 mounting points located throughout the top and bottom plates of the EV2 Dragon Fly, which allows for many mounting and positioning options for your accessories, including Power Options and/or a Top Handle.

