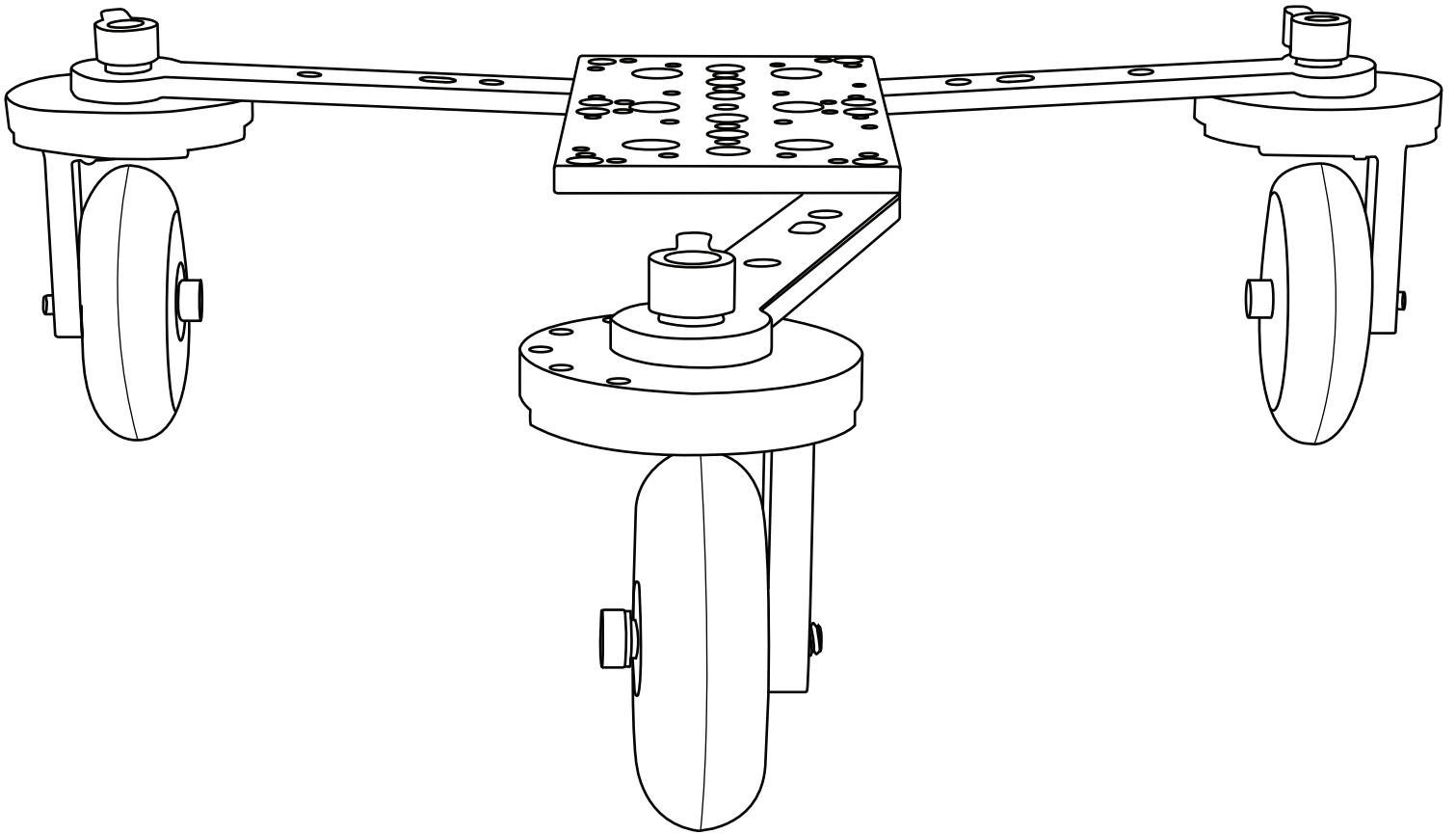


# Large Table Top Dolly ELE-LTTD

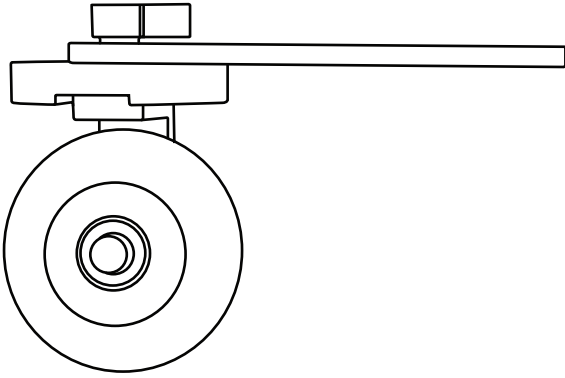
## QUICKSTART GUIDE



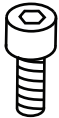
# Large Table Top Dolly ELE-LTTD

## QUICKSTART GUIDE

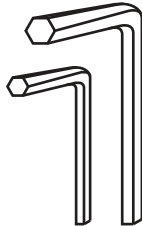
### What's included



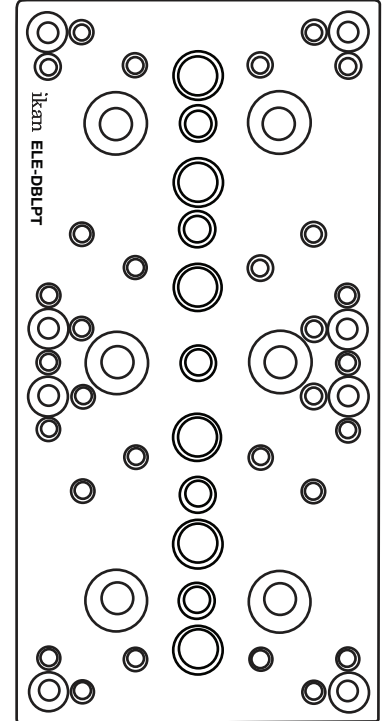
- 3 x Wheels & Base



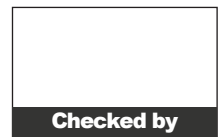
- 6 x Metric 4mm x 10mm Socket Head Cap Screw



- 1 x HEX KEY 3mm
- 1 x HEX KEY 3/16 inch



- 1 x Double Cheese Plate ELE-DLBPT

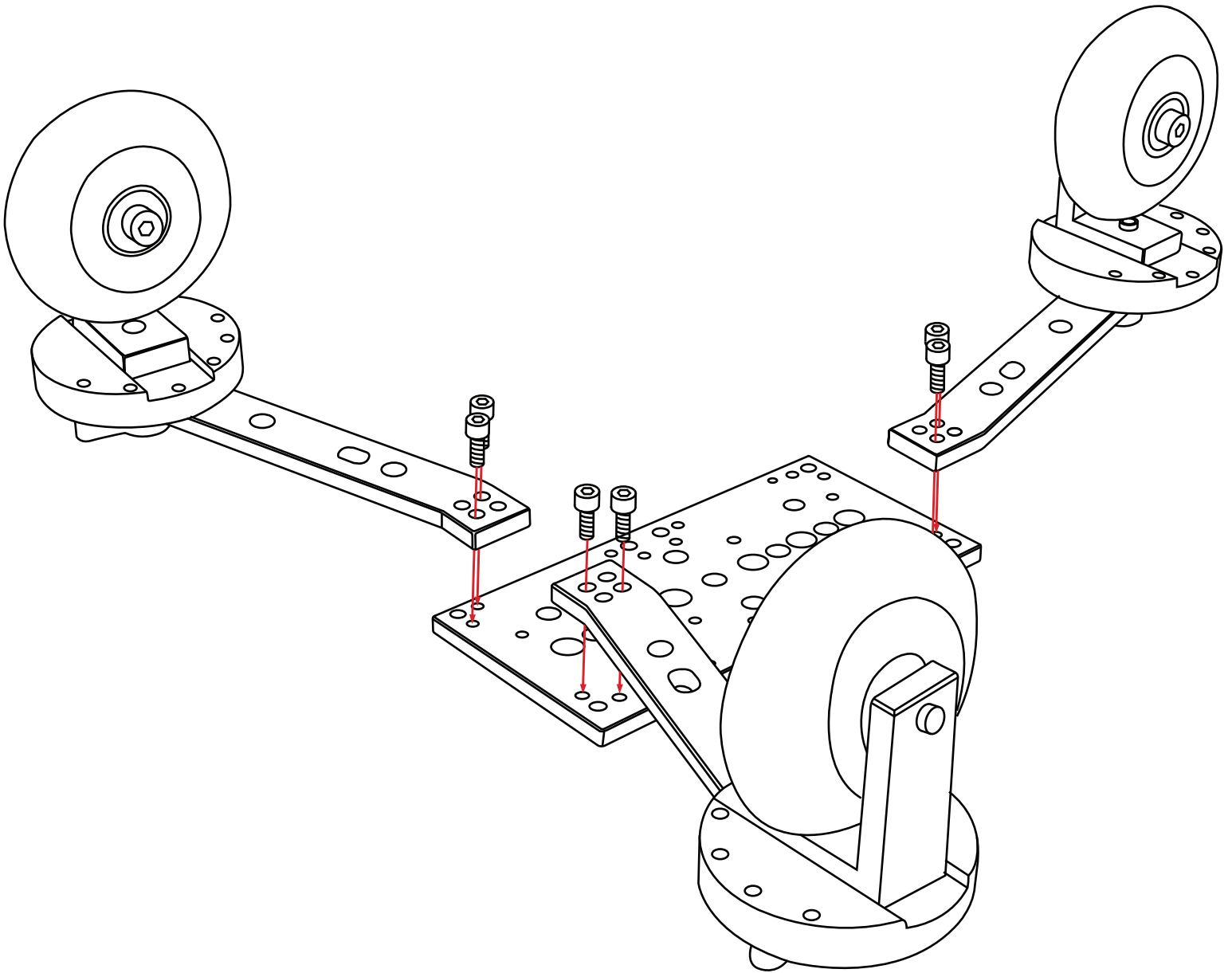


# Large Table Top Dolly ELE-LTTD

## QUICKSTART GUIDE

### GETTING STARTED

To assemble your Large Table Top Dolly, place the Double Cheese Plate on a flat surface with the “DBLPT” (part number) facing down. Next, Grab 1 pre-assembled wheel and line up the screw holes with those of the Double Cheese Plate. Next, insert 2 x Metric 4mm x 10mm Socket Head Cap Screws into the holes as shown in the illustration and tighten using the 3mm Hex Key. Repeat these steps for the remaining two pre-assembled wheels.



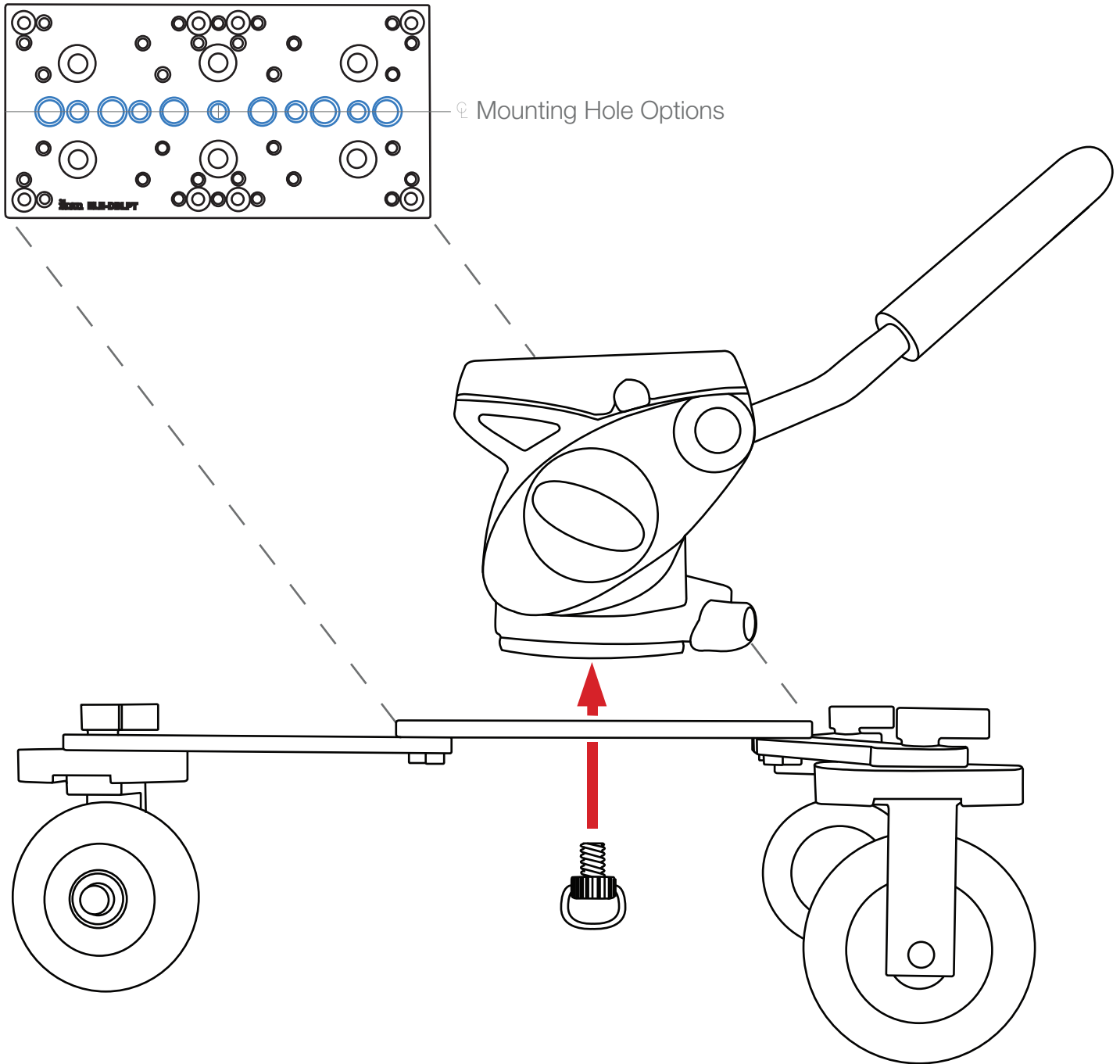
# Large Table Top Dolly ELE-LTTD

## QUICKSTART GUIDE

### TRIPOD HEAD MOUNTING INSTRUCTIONS

1. There are numerous mounting holes located throughout the center of the Double Cheese Plate. Simply slide the included D-Ring through the mounting hole of your choice, then screw into the bottom your Tripod Head and tighten.

\* Tripod Head not included



# Large Table Top Dolly ELE-LTTD

## QUICKSTART GUIDE

### WHEEL - ANGLE ADJUSTMENTS

3. To adjust the angle of the wheels, simply loosen the Thumb Screw by turning counter-clockwise. Next adjust the wheel to the desired angle. Finally, tighten the Thumb Screw.

