

ELE-BMPCC-C

QUICKSTART GUIDE

Blackmagic Pocket Cinema Camera Cage Kit



What's Included

- 1 x Blackmagic Pocket Cinema Camera Cage
- 1 x Top Handle
- 1 x Top Handle Screw
- 2 x 15mm Rods (12-Inch length)
- 1 x ¼-20 Thread D-Ring Screw

ikan

www.ikancorp.com

support@ikancorp.com

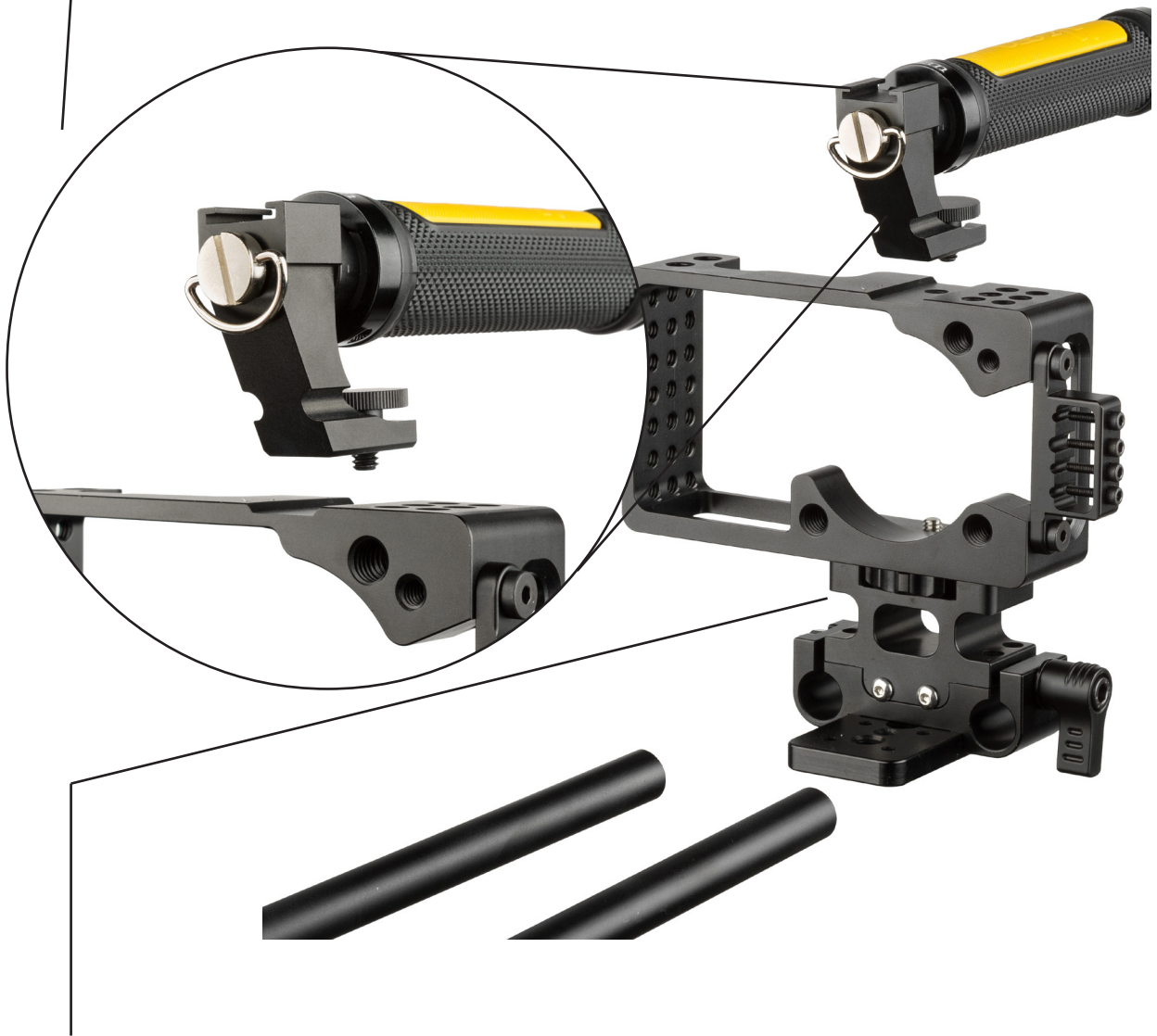
CHECKED BY

713.272.8822

© 2015 ikan Corporation. All rights Reserved

Rig Assembly

1. The top handle mounts directly to the top of the cage. Use the black screw to securely lock the top handle into place.

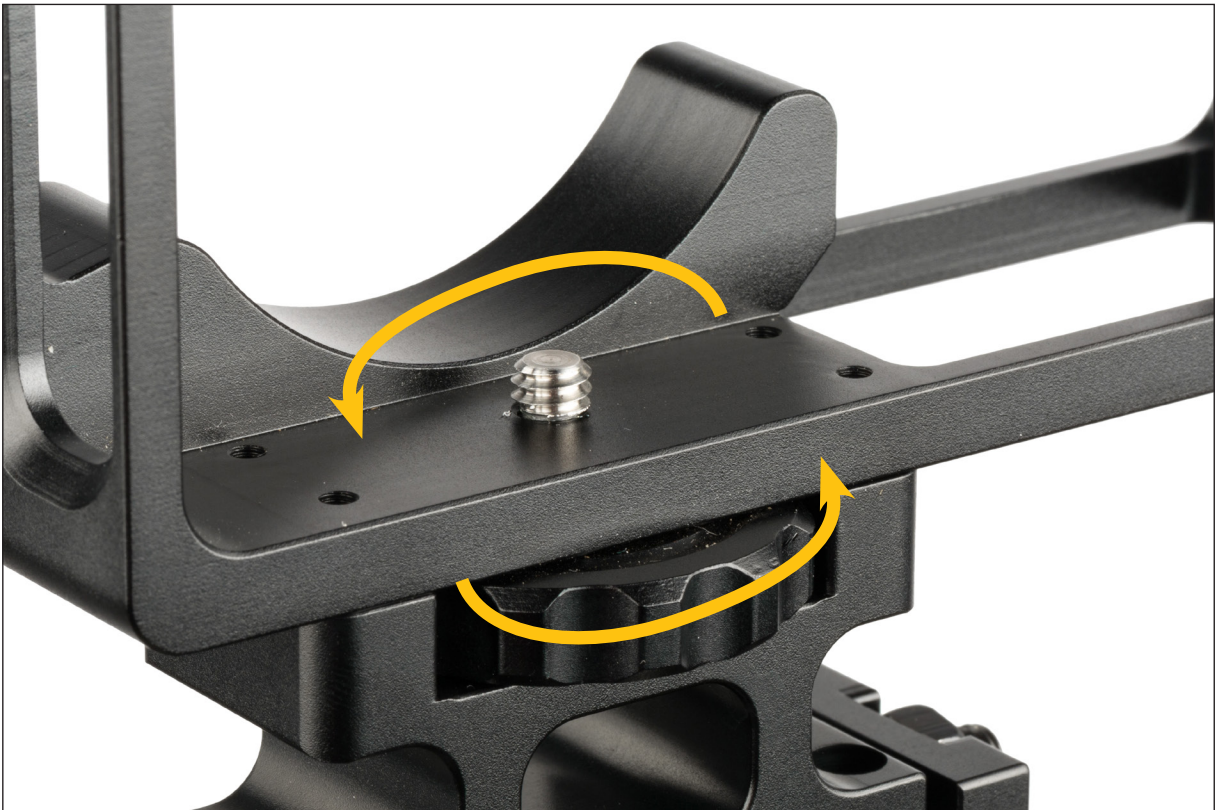


2. A single thumbscrew located on the side of the baseplate controls the rod clamp for each rod. Open the rod clamp by rotating the thumbscrew counterclockwise.

3. Slide each 15 mm rod through the baseplate. Lock the rods into the desired position by rotating the thumbscrew clockwise.

Camera Mounting

1. With the lens removed, slide your camera through the back of the cage.
2. Line up the camera's ¼"-20 threaded hole to the ¼"-20 thread screw.
3. Looking down at the cage, turn the thumbwheel counterclockwise to mount your camera until it is securely in place.



Camera Removal

To remove your camera, turn the thumbwheel clockwise until it becomes free.

For safety, support your camera at all times during the removal process.

Learn More

More dynamic information at official website: www.ikancorp.com

Support

Contact email: support@ikancorp.com

CONDITIONS OF WARRANTY SERVICE

- Free service for one year from the day of purchase if the problem is caused by manufacturing errors.
- The components and maintenance service fee will be charged if the warranty period is expired.

Free Service will not be Provided in the Following Situations:(*Even if the product is still within the warranty period.)

- Damage caused by abuse or misuse, dismantling, or changes to the product not made by the company.
- Damage caused by natural disaster, abnormal voltage, and environmental factors, etc.