



SUPPORT YOUR IMAGE

NINGBO EIMAGE STUDIO EQUIPMENT CO., LTD

Address: No. 1230 South Cihai Rd, Luotuo Industry zone, Zhenhai, Ningbo, China, 315202

Tel: 86-0574-55681753, 86-0574-55681675

Fax: 0574-86590078

E-mail: sales@eimagevideo.com

Visit www.eimagevideo.com for more information

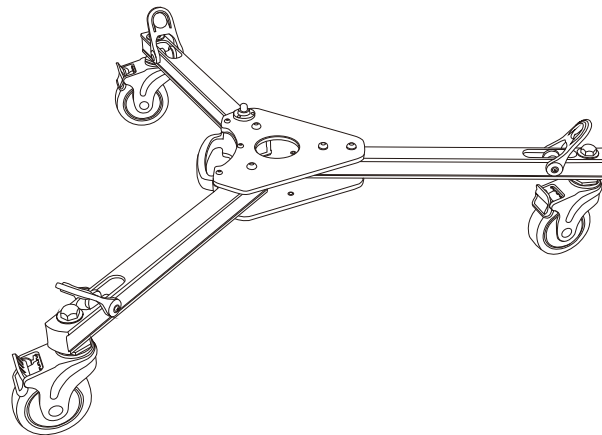


E-IMAGE
Official QR Code



Dollies Manual

V1.0
2020.03



—— www.eimagevideo.com ——

Dollies User Manual

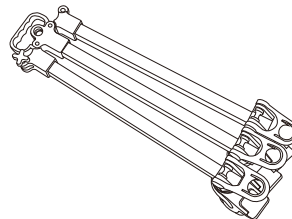
Contents

Packing List	02
Individual	03
EI-7003 & 7003C	05
EI-7004 & 7004B & 7004C	09
EI-7005 & 7005B	13
EI-7006 & 7007	15
Warranty Card	18

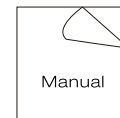
In order to provide quick and smooth movement for the tripods, E-IMAGE supplies kinds of dollies, with different payload super study. Individually braked wheels; some with cable guards. Folds for easy transporting.

In The Box

Let's take EI-7004 for example



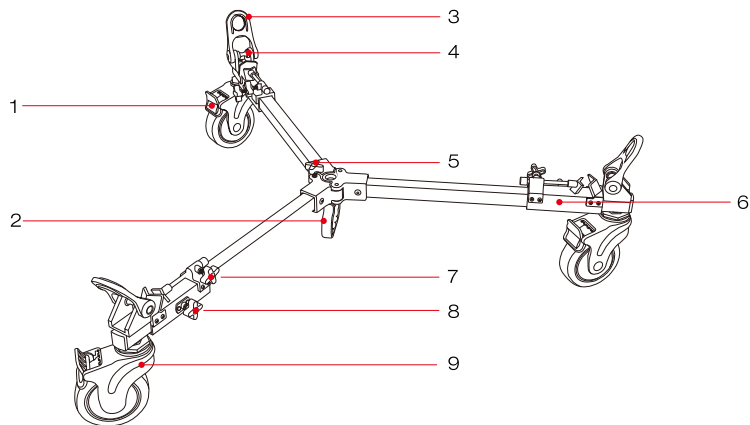
EI-7004 X1



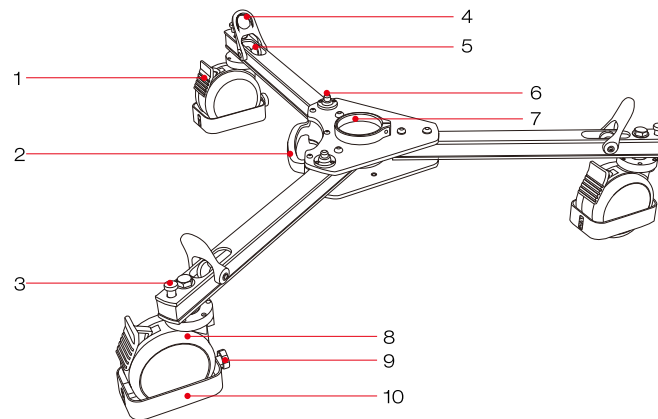
User Guide X1

Prepare The Dolly

Pull the knob or press the lock pin, slowly open the dolly leg until the pin hits the leg fixing hole. If the leg is opened abruptly, fingers can get caught and cause injury. Check that all lock pins are through the leg fixing holes.

**EI-7003/7003C/7004/7004B/7004C**

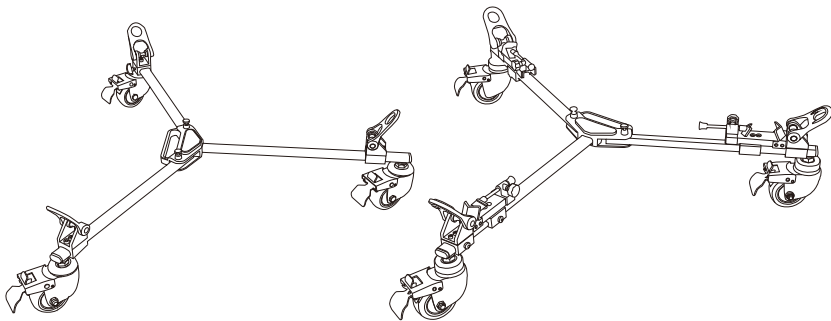
- | | |
|----------------------|--|
| 1. Caster lock lever | 6. Locking slider |
| 2. Carrying handle | 7. Knob to adjust the position of the Locking slider |
| 3. Leg band | 8. Knob to adjust the lock lever for the tripod foot |
| 4. Tripod leg holder | 9. Caster |
| 5. Leg fixing hole | |

**EI-7005/7005B/7006/7007**

- | | |
|-----------------------|--------------------------|
| 1. Caster lock lever | 6. Leg fixing hole |
| 2. Carrying handle | 7. Column entrance |
| 3. Position knob | 8. Caster |
| 4. Leg band | 9. Cable guard lock knob |
| 5. Tripod fixing hole | 10. Cable guard |

EI-7003 & 7003C

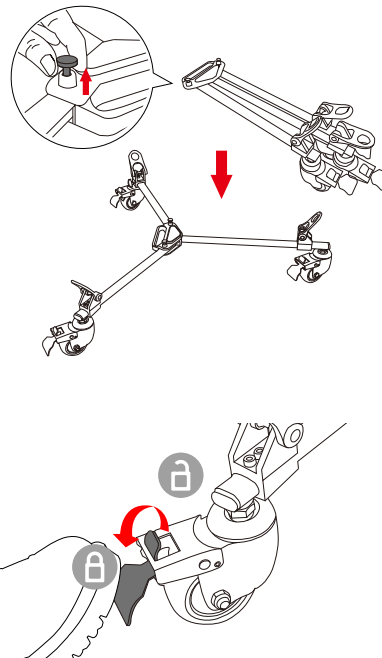
Model	Net Weight	Footprint diameter	Safety Payload	Casters diameter
EI-7003	3.5kg/7.7lbs	100cm/39.4in	40kg/88.2lbs	75mm/3.0in
EI-7003C	3.9kg/8.6lbs	100cm/39.4in	40kg/88.2lbs	75mm/3.0in



EI-7003

EI-7003C

Using



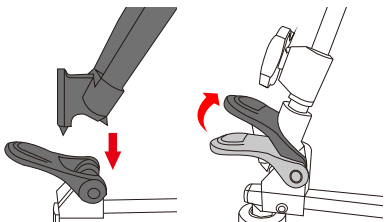
- 1 Pull the knob to extend the dolly. Steer Mode.

This operation suitable for EI-7003, EI-7003C.

- 2 Step on the independent brakes for locking the dolly in position. When moving the dolly under unlocking the brake pls hold the tripod or pedestal with your hand during operation.

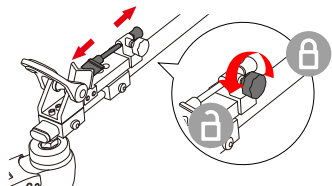
This operation suitable for all E-IMAGE dollies.

Using

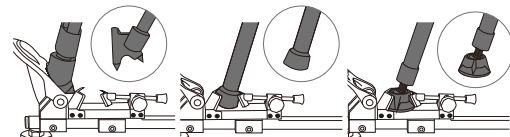


- ③ Attach the tripod or pedestal to the dolly. Please remove the camera from the tripod or pedestal before assemble the tripod to the dolly. Make sure that the leg bands at three positions are securely fixed.

This operation suitable for all E-IMAGE dollies.



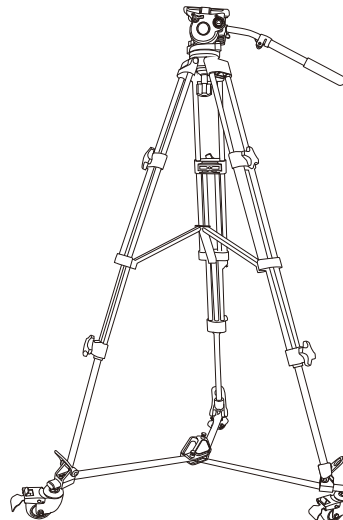
- ④ Loosen the knob in the anticlockwise direction to adjust the position of the locking slider.



EI-7003C is a professional universal tripod dolly which comes with fully adjustable leg locks to fit almost all full-sized tripods.

7

Using

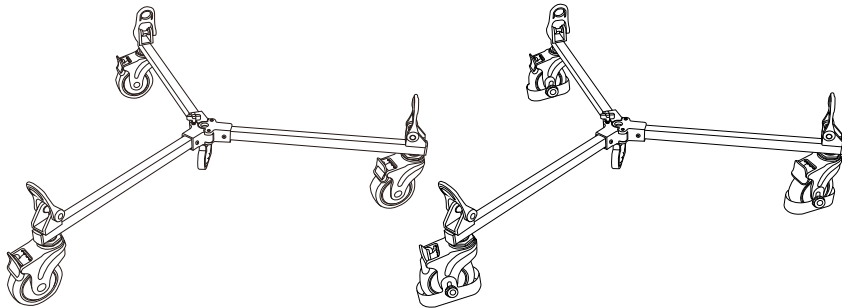


- ⑤ Unlock the casters when moving the dolly. Hold and control the tripod or pedestal with your hand during operation.

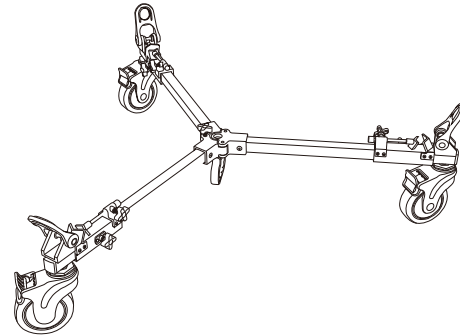
8

EI-7004 & 7004B

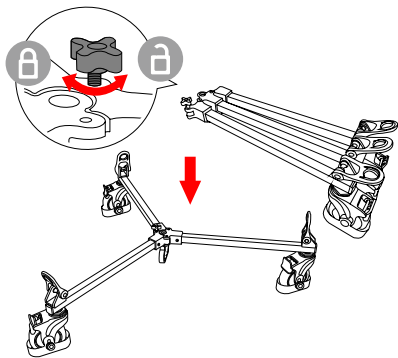
Model	Net Weight	Footprint diameter	Safety Payload	Casters diameter
EI-7004	3.2kg/7.0lbs	100cm/39.4in	60kg/132.3lbs	100mm/4.0in
EI-7004B	6.8kg/15.0lbs	100cm/39.4in	60kg/132.3lbs	100mm/4.0in

**EI-7004****EI-7004B****EI-7004C**

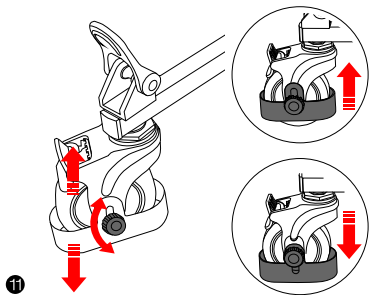
Model	Net Weight	Footprint diameter	Safety Payload	Casters diameter
EI-7004C	3.6kg/7.9lbs	100cm/39.4in	60kg/132.3lbs	100mm/4.0in

**EI-7004C**

Using



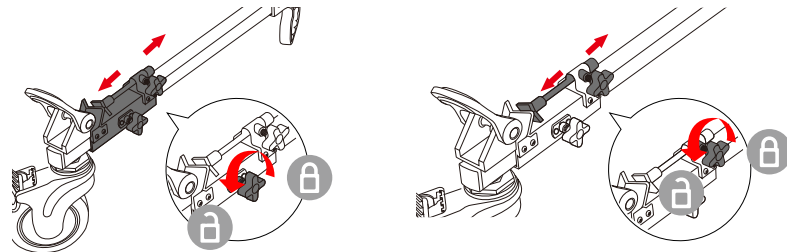
- 1 Rotate the knob in the anticlockwise direction to extend the dolly.



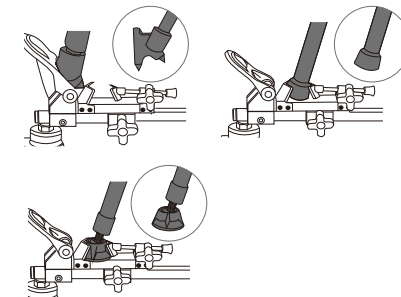
- 2 Loosen the knob in the anticlockwise direction to adjust the height of the cable guard.

This operation is suitable for EI-7004B dolly.

Using



- 3 Loosen the knob in the anticlockwise direction to adjust the position of the locking slider.

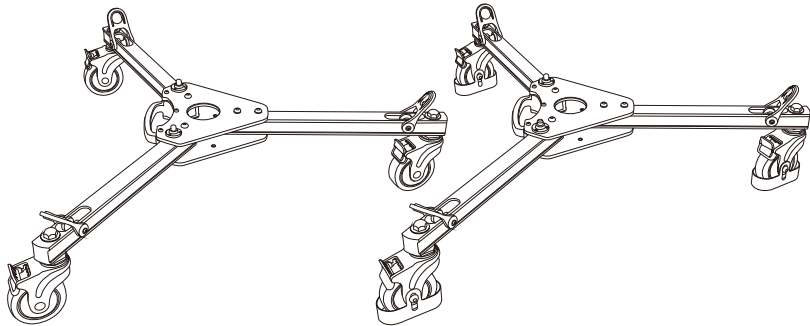


- 4 Loosen the knob in the anticlockwise direction to adjust the position of the locking slider.

EI-7004C is a professional universal tripod dolly which comes with fully adjustable leg locks to fit almost all full-sized tripods.

EI-7005 & 7005B

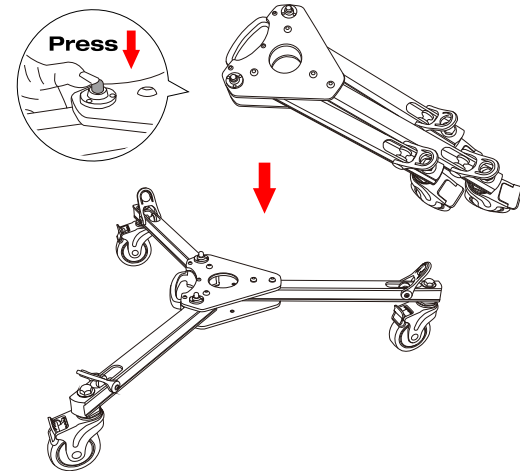
Model	Net Weight	Footprint diameter	Safety Payload	Casters diameter
EI-7005	6.8kg/15.0lbs	100cm/39.4in	100kg/220.5lbs	100mm/4.0in
EI-7005B	7.0kg/15.4lbs	100cm/39.4in	100kg/220.5lbs	100mm/4.0in



EI-7005

EI-7005B

Using

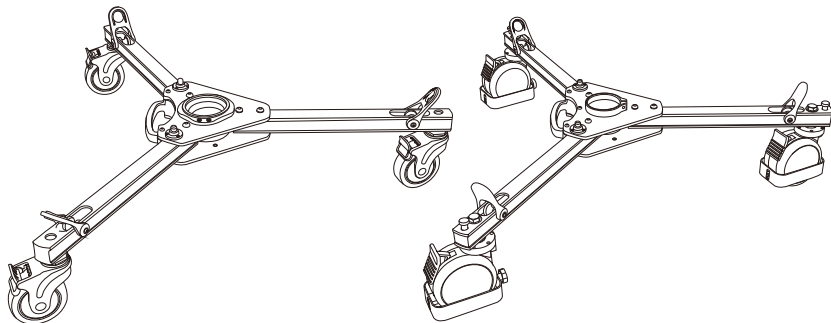


- 1 Press the locking pin to release and extend the dollies.

This operation suitable for EI-7005,7005B,7006,7007

EI-7006 & 7007

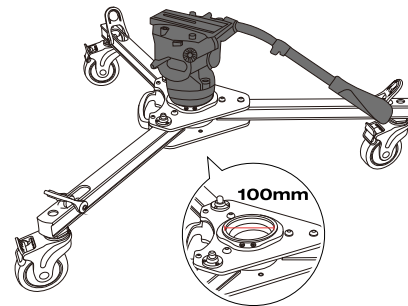
Model	Net Weight	Footprint diameter	Safety Payload	Casters diameter
EI-7006	7.0kg/15.4lbs	100cm/39.4in	100kg/220.5lbs	100mm/4.0in
EI-7007	10.7kg/23.6lbs	100cm/39.4in	100kg/220.5lbs	125mm/5.0in



EI-7006

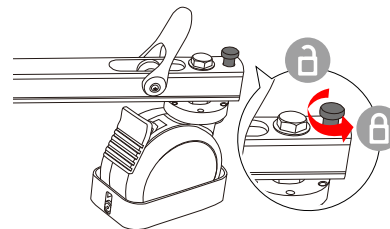
EI-7007

Using



- 1 Lower angel shooting with any 100mm heads.

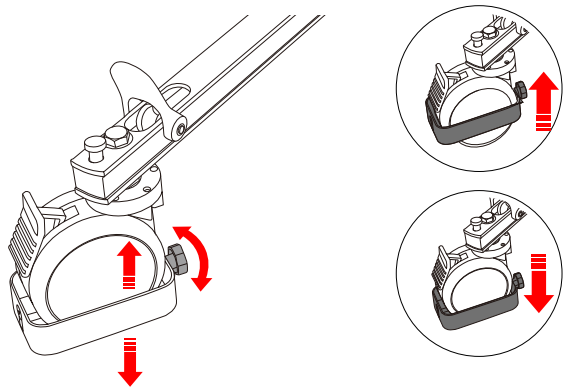
This operation Suitable for EI-7006.



- 2 Rotate the knob in anticlockwise direction to fix into different holes to achieve directional movement.

This operation suitable for EI-7007.

Using



- ③ Loosen the knob in the anticlockwise direction to adjust the height of the cable guard.

This operation is suitable for EI-7007 dolly.

Customer Information

Customer Name

Contact No.

Address

Sales Manager

Sales Date

Dealer

Dealer Contact No.

#1 Maintenance Record

Service Date

Signature of Repairman

Cause of Problem

Service Result:

 Solved Unsolved Refunded/ Replaced

* Contents are subject to change without prior notice, you can download the latest version from www.elimagevideo.com.