

D12-FK

QUICKSTART GUIDE

D12 HDMI/3G-SDI Monitor Field Kit for V-Mount & Gold-Mount with Hard Case



What's Included

- 1 x D12 Monitor w/ Built-In Hard Case
- 1 x AC Adapter
- 1 x Sunhood
- 1 x Screen Protector
- 1 x Gold Mount Plate
- 1 x V-Mount Plate (*Attached*)
- 1 x Adjustable Stand Mount (*Attached*)

CHECKED BY

ikan

www.ikancorp.com

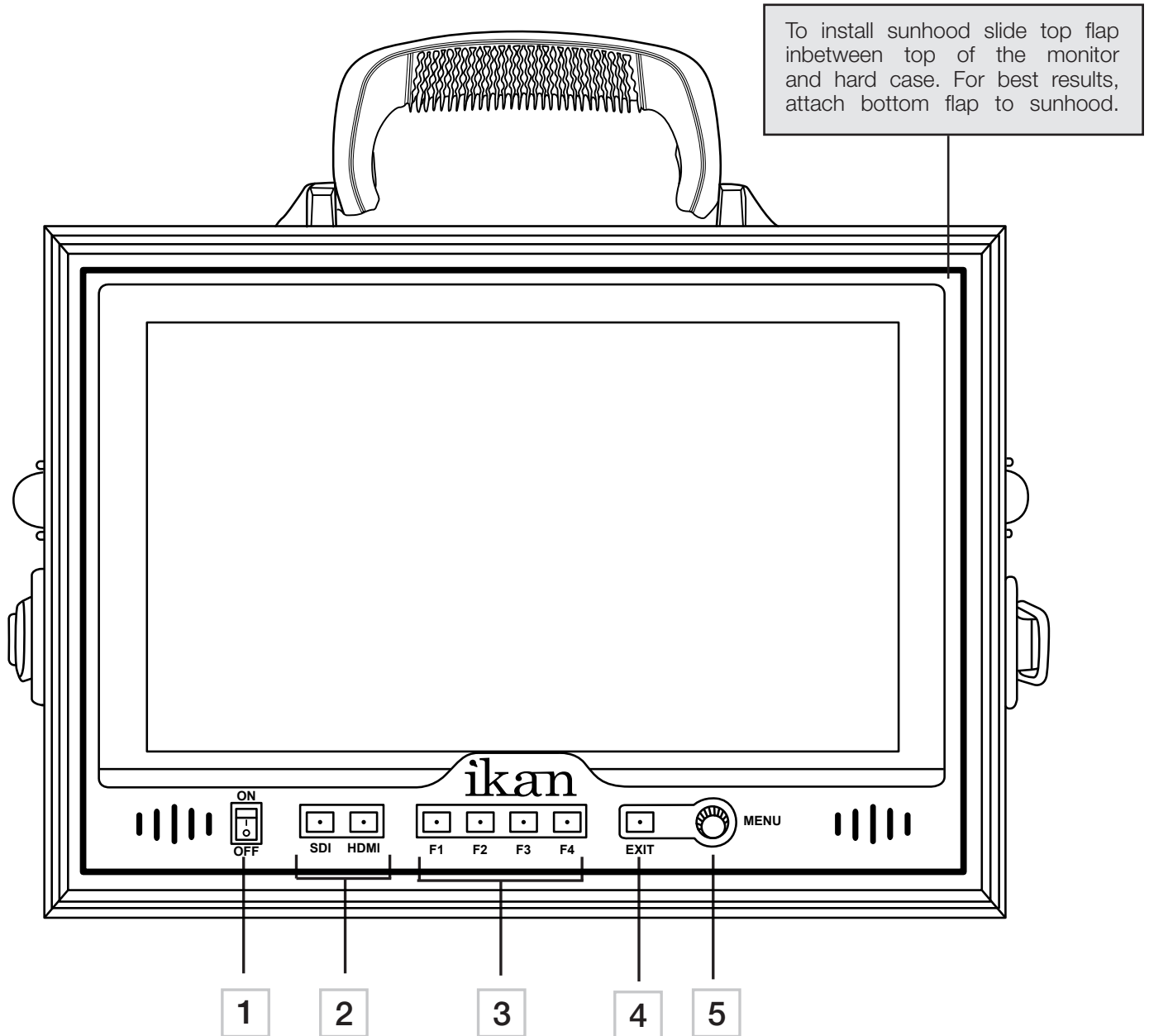
support@ikancorp.com

713.272.8822

© 2015 ikan Corporation. All rights Reserved

Getting Started

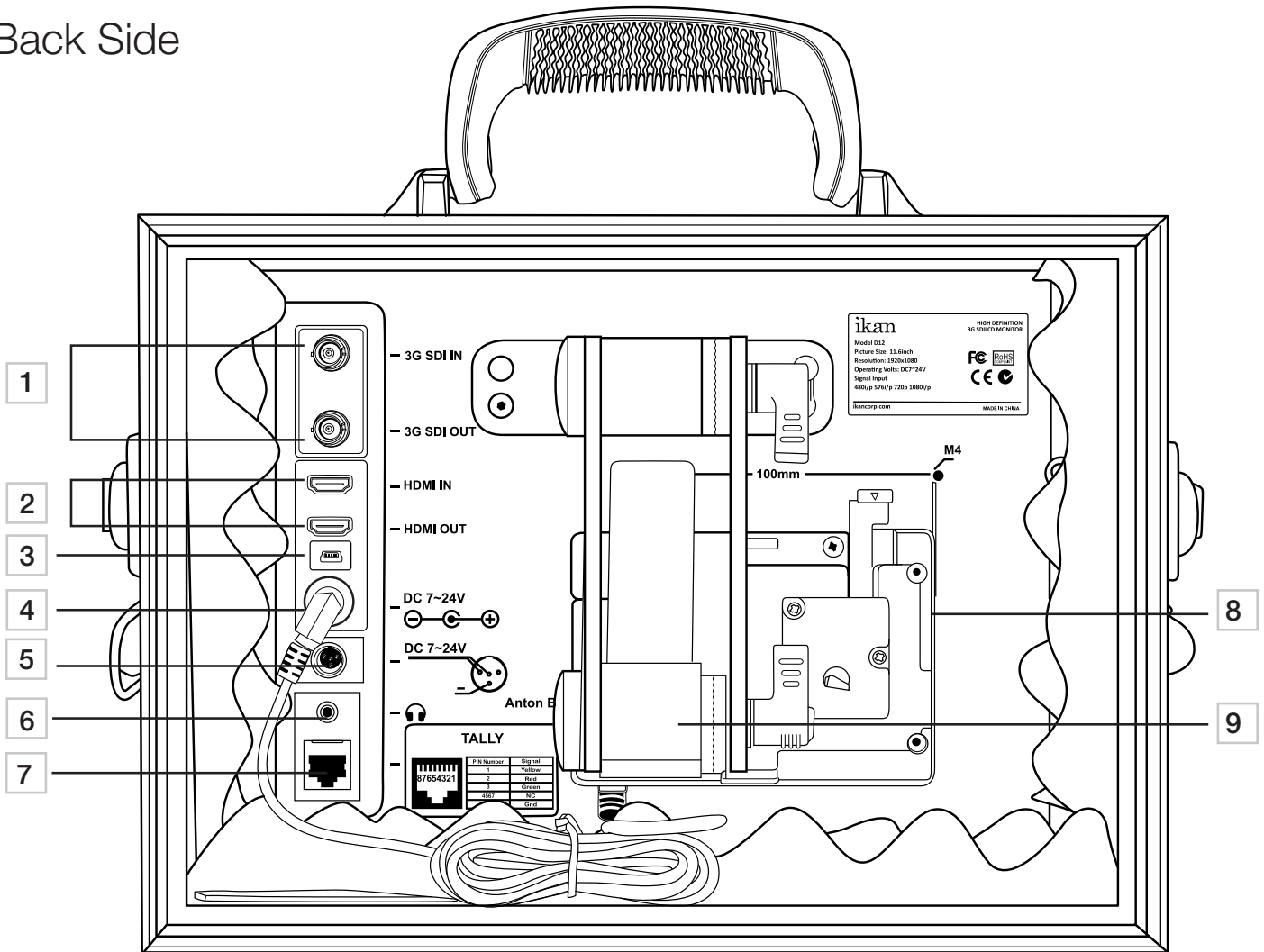
Front Side



- 1 Power Switch**
Power ON/OFF
- 2 Input Selection Buttons**
Select from SDI and HDMI Inputs
- 3 Function Buttons**
Function Key actions are selected in the menu
- 4 Exit Button**
Used in the Menu to exit Menu
- 5 Menu Button**
In Menu, push button to select menu setting

User programmable function buttons. For quick access, the user may program the F1 and F4 Buttons to enable frequently accessed monitor features.

Back Side



1 3G-SDI Terminal
SDI Signal Output Terminal

2 HDMI Terminal
IN: HDMI input Terminal
OUT: Input signal through-out terminal

3 USB Terminal
For factory service use only

4 DC 7-24V Power Terminal
Standard DC Connection

5 DC 7-24V Power terminal
mini-XLR DC Connection

6 3.5mm Headphone Output

7 Tally Input Connector
RJ45 Connection

8 V-Mount Pro Battery Plate

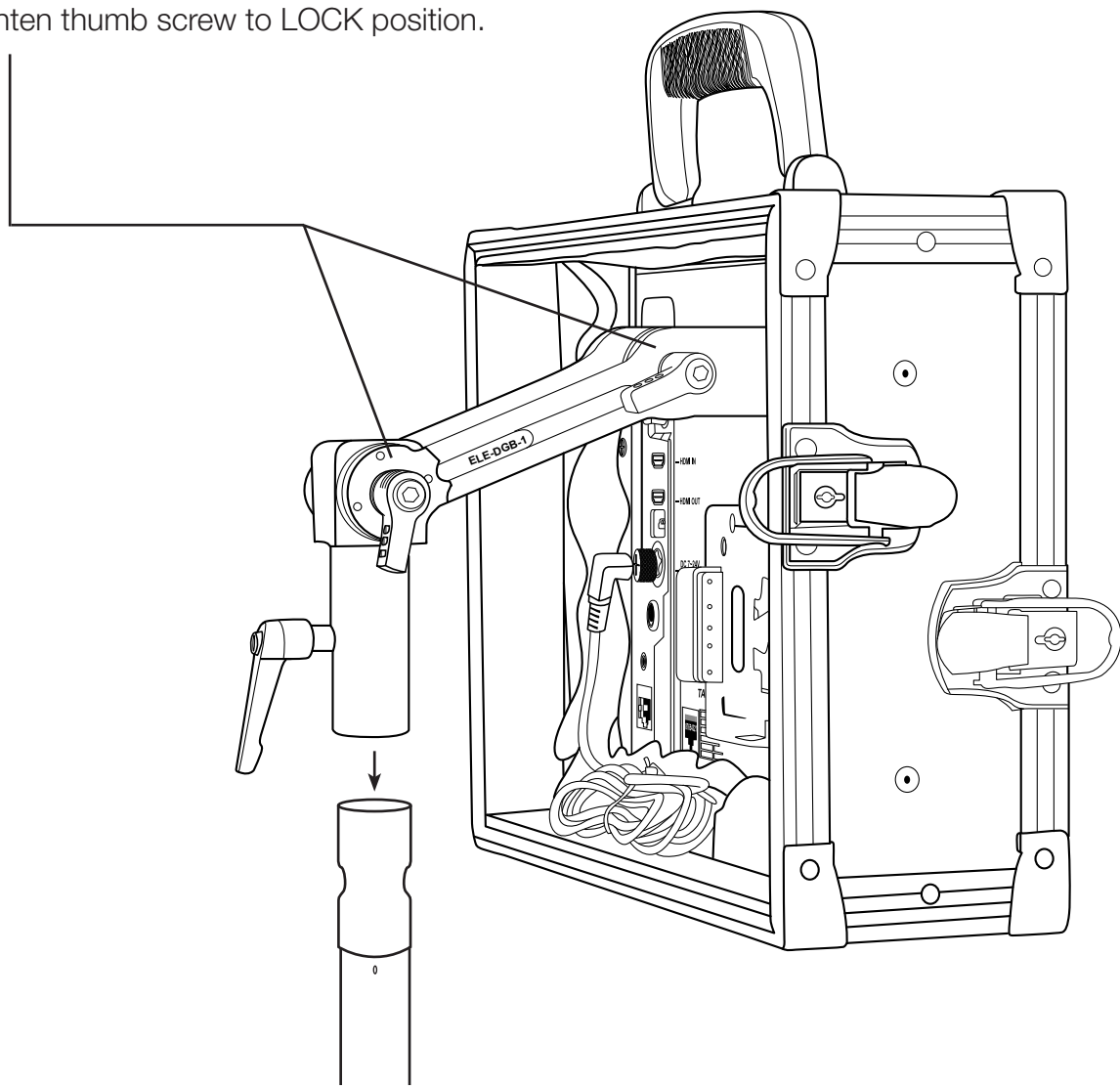
9 Adjustable Stand Mount

*Note: Due to the small size of the monitor.
Pro batteries need to be no larger than 5.5 x 3.7 x 2.2 In.*

Attaching the monitor to Stand Mount

Loosen thumb screws to position stand mount.

Tighten thumb screw to LOCK position.



Configuration of Setting Menus

Brightness ————— 0-100

Contrast ————— 0-100

Chroma ————— 0-100

Sharpness ————— 0-100

Tint ————— 0-100

Color Temp ————— 5600K
 ————— 6500K
 ————— 9300K
 ————— MANUAL

OSD Language ————— English
 ————— Chinese

OSD Duration ————— 5-60 Second

Luma Under Warm

Luma Over Warm

Function 1-4

Window 1

Window 2

HV Delay

Guides

Crosshair

Peaking

False Color

Clip Guide

Underscan

DSLR Scaling

Check Field

Pixel

Menu Setup

User 1-5

System Reset

The MANUAL function allows you to change the values of Red, Green, and Blue (RGB).

As an additional tool associated with the D12's False Color feature, ikan's exclusive Adjustable Under Exposure and Over Exposed Warning feature gives the operator full control of the D12 False Color brightness values. By setting the preferred IRE exposure limits, the operator is warned when the image exposure is exceeding or falling under the preset IRE limit, providing customizable, full image exposure control.

This function displays a side by side comparison of the incoming video signal. Pushing the F1/2 button one time will enter the mode. Each time the F1/2 button is pushed it will freeze the current frame on the right hand side of the display while the left continues to display the live signal. Pressing the exit button will exit the window mode. Use Window 1 for 16:9 signals and Window 2 for 4:3 signals.

This function displays the blanking portion of the incoming signal

Display the crosshair on the center of the screen.

The D12 is equipped with Monochrome Peaking features which highlight the desired focus area in a bright, red outline. The operator adjusts the focus control until the red indicator outlines on the desired area are razor sharp, indicating optimal focus. For the best results, be sure the subject is properly exposed.

The False Color feature utilizes a full spectrum of assigned color indicators, ensuring flawless shot exposure. As the camera Iris is adjusted, the subject of the image will change color based on specific brightness values indicating optimal exposure. See included chart for color assignments.

The D12 offers adjustable upper Clip Guide levels to accurately display overexposed images in any shooting condition. The operator simply assigns the upper IRE to their preference and any exposure over the set IRE limit will ash in a vivid purple, indicating only the over exposed area.

The DSLR Scaling function will allow users to extend their DSLR camera's HDMI video output any option of four – Normal, 3:2, 16:9 or Full Screen – convenience made simple.

The LCD panel in this display has a native display of 1280 x 800 pixels. A signal of any other resolution is scaled to this native resolution. There may be time when it is desired to view the incoming signal without scaling. Enabling Pixel to Pixel mode turns off the scaling and displays a 1280 x 800 pixel window of the original image. Each pixel of the panel displays one pixel of the original image. The user may use the arrow buttons (buttons 3-6) on the monitor face to move the window left, right, up and down to see the desired portion of the image.

This function recalls used defined values settings. The user setting will remain in memory indefinitely and can be erased by using the reset option in the main menu.

Specifications

Product Specs	
Aspect Ratio	16:9
Brightness	350 cd/m2
Build Material	Steel
Built-In Speaker	2Wx2
Color System	PAL/NTSC/SECAM (Auto-Detected)
Contrast Ratio	700:1
Dimensions	10 x 13 x 7 In.
Display Technology	IPS
Input Voltage	DC 7V-24V
Inputs	3G-SDI, HDMI
Operating Temperature	0°C~50°C (32°F~122°F)
Outputs	3G-SDI, HDMI
Pixel Pitch	0.1335 x 0.1335
Power Consumption	16W
Resolution	1920 x 1080
Response Time	25ms
Screen Size	11.6 In.
Viewing Angle	H:178° / V:178°
Weight	12.5 lbs
Shipping Dimensions	14 x 10 x 8 In.
Shipping Weight	13 lbs

Features

- 1920 x 1080 Resolution IPS Panel
- 3G-SDI & HDMI Inputs & Outputs
- False Color – Adjustable Luminance & Over Luminance Warning
- Clip Guide – Adjustable Threshold
- Peaking
- Histogram
- Zebra
- Underscan
- Color Temperature Presets (9300K, 6500K, 5600K)
- RGB Adjust
- Guides
- Crosshair
- Guide Masks (Full / 16:9 / 15:9 / 4:3 / 1.5:1 / 1.85:1 / 2:1 / 2.35:1 / User)
- Check Field (Blue, Red, Green, Mono)
- Side-by-Side Freeze Frame
- H/V Delay
- Aspect Ratio (Full / 16:9 / 15:9 / 4:3 / 1.5:1 / 1.85:1 / 2:1 / 2.35:1 / User)
- 5 User Dened Groups
- Tally System (On-Screen)
- DSLR Scaling

Supported Video Signals

Supported Video Signals	
3G-SDI	1920 x 1080p @ 50, 59.94, 60 Hz
HD-SDI	1280 x 720p @ 50, 59.94, 60 Hz
	1920 x 1080i @ 50, 59.94, 60 Hz
	1920 x 1080psf @ 23.98, 24, 25, 29.97, 30 Hz
	1920 x 1080psf @ 23.97, 24, 25, 29.94, 30 Hz
SD-SDI	720 x 480i @ 60 Hz
	720 x 576i @ 50 Hz
HDMI	720 x 480i & 720x 480p @ 59.94, 60 Hz
	720 x 480i & 720 x 576i @ 50 Hz
	1280 x 720p @ 50, 59.94, 60 Hz
	1920 x 1080i @ 50, 59.94, 60 Hz
	1920 x 1080psf @ 24, 25, 29.97, 30 Hz
	1920 x 1080p @ 23.97, 24, 25, 29.94, 30, 50, 59.94, 60 Hz

Learn More

More dynamic information at official website: www.ikancorp.com

Support

Contact email: support@ikancorp.com

CONDITIONS OF WARRANTY SERVICE

- Free service for one year from the day of purchase if the problem is caused by manufacturing errors.
- The components and maintenance service fee will be charged if the warranty period is expired.

Free Service will not be Provided in the Following Situations:(*Even if the product is still within the warranty period.)

- Damage caused by abuse or misuse, dismantling, or changes to the product not made by the company.
- Damage caused by natural disaster, abnormal voltage, and environmental factors, etc.