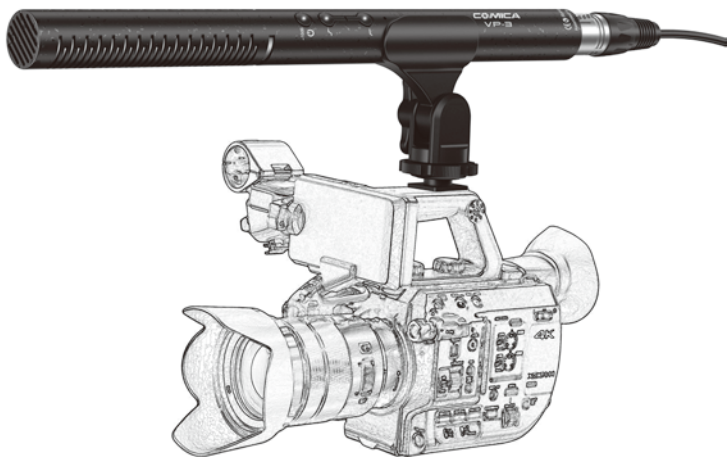


COMICA

PROFESSIONAL AUDIO EQUIPMENT

CVM-VP3

Super-Cardioid Condenser Shotgun Microphone for Camera / Camcorder



USER MANUAL

Foreword

Thanks for purchasing COMICA CVM-VP3 condenser shotgun microphone.

Comica CVM-VP3 Super-cardioid condenser shotgun video microphone, is specially designed for video shooting, meeting, and interview for camera, camcorder ; Meanwhile the Microphone is designed with low Noise Circuit, two step high-pass filter, -10dB sensitivity adjustment, powered by AA battery, low self-noise , full metal material construction and super shielding, which provides your video a broadcast sound quality.

Please read this manual carefully before using. This product has been precisely calibrated at the factory, do not assemble and disassemble parts by yourself.

Main Features

- . Low Noise Circuit
- . Two Step High-pass Filter
- . -10dB Adjustable Sensitivity
- . 1.5V AA Battery
- . Full Metal Material Construction and Super Shielding
- . Broadcast Sound Quality



Low-noise



Low Cut Filter



-10dB Adjustable
Sensitivity



Cardioid Pattern



Full Metal and
Super Shielding

Notice

- ⚠ When putting the batteries in, please notice the “positive and negative poles” to avoid reversed assembling to cause product damage.
- ⚠ Please do not put the device beside the heat or interference source.
- ⚠ Please avoid falling, collision or pounding during usage.
- ⚠ Don't expose the device in rain or moist environment .
- ⚠ After usage, please turn it off for storage.

Package Content

Standard Parts

- ① Microphone Interference Tube
- ② XLR-3.5mm Output Cable
- ③ XLR-XLR Output Cable
- ④ Camera Bracket
- ⑤ Boom Bracket
- ⑥ Windscreen
- ⑦ Black Portable Bag
- ⑧ User Manual
- ⑨ Warranty Card



①



②



③



④



⑤



⑥



⑦



⑧



⑨

Optional parts

- ⑩ Wind Muff
- ⑪ Shock Mount



⑩

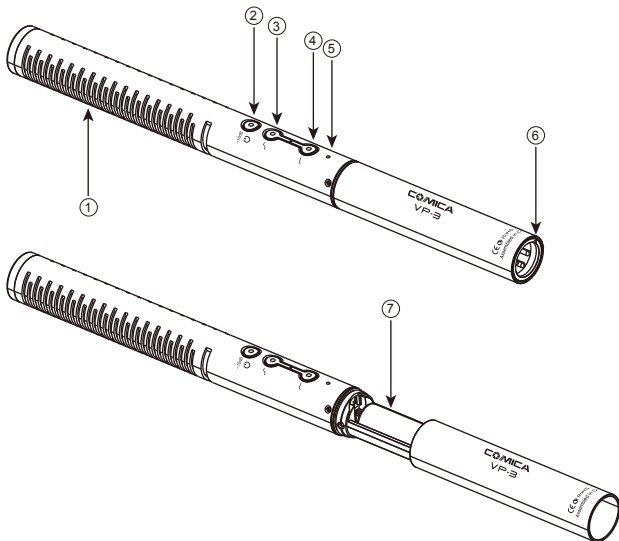


⑪

Components Introduction

Microphone

- ① Audio Receiver End
- ② Power/-10dB Sensitivity Button
- ③ Treble Boost Button
- ④ Low-cut Filter Button
- ⑤ Power Indicator Light
- ⑥ Audio Output Jack
- ⑦ Battery Holder

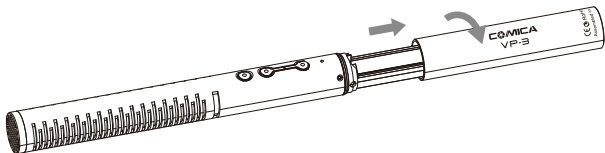


Installation and Operation

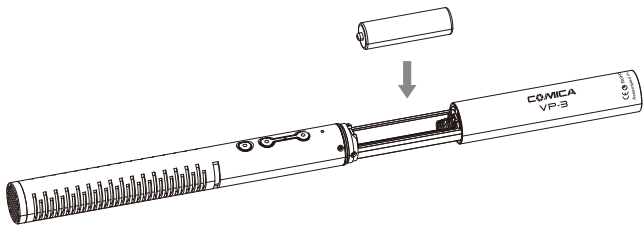
1. Installation

1.1 Installation of AA Battery

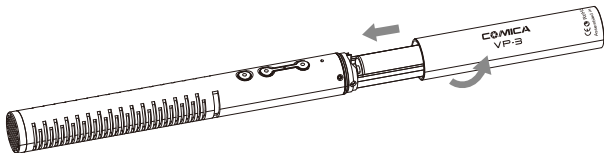
1.11 Rotate the tube , open the battery holder



1.12 Insert the battery



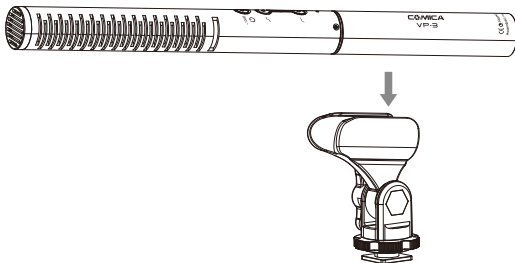
1.13 Rotate the tube, close the battery holder



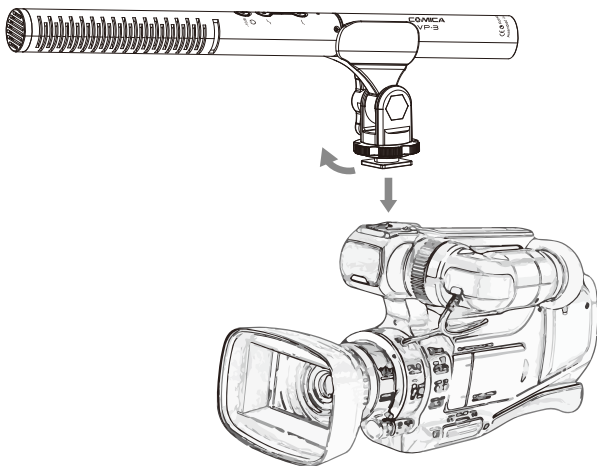
1.2 Install Mic onto Camera/Camcorder

Connect the Mic and Camera/Camcorder Via Camera Bracket

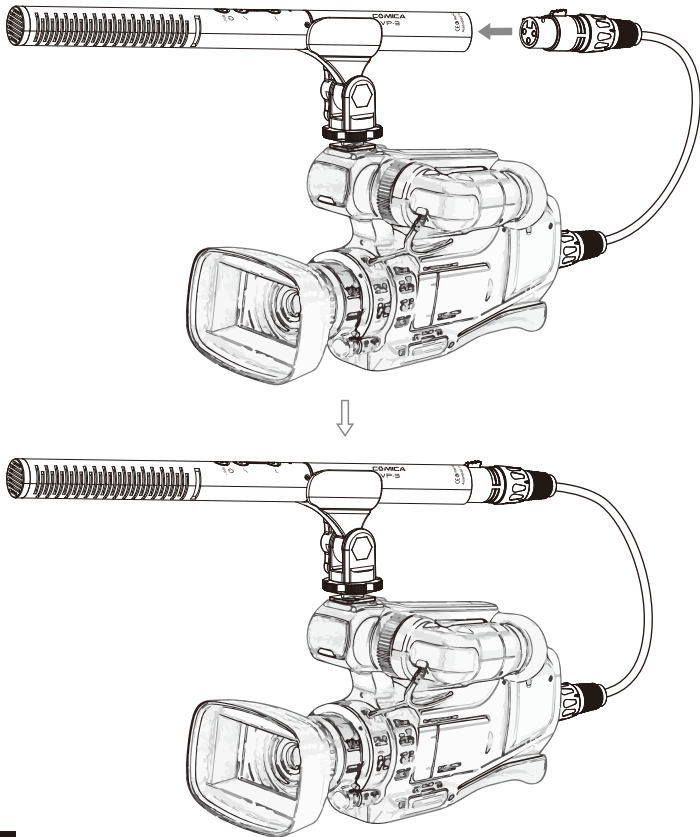
1.21 Connect the mic onto Camera Bracket



1.22 Connect the mic onto camera/camcorder via Camera Baseplate , fasten the Tightness Adjusting Screw

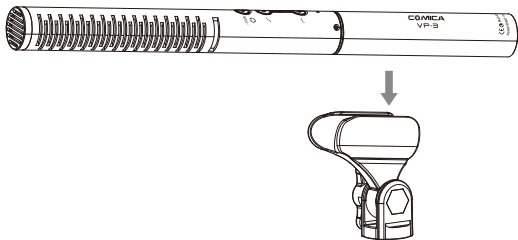


1.23 Connect the 3.5mm output cable / XLR output cable to the Camera/ Camcorder

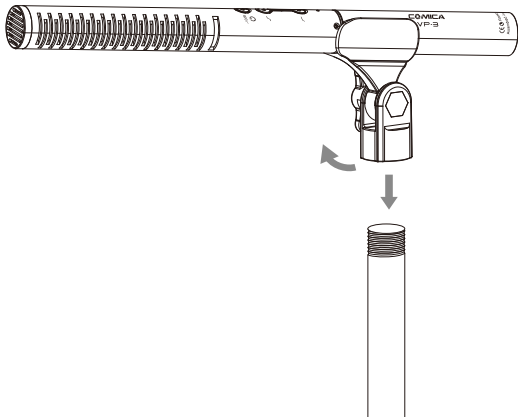


Connect the Mic and Camcorder Via Boom

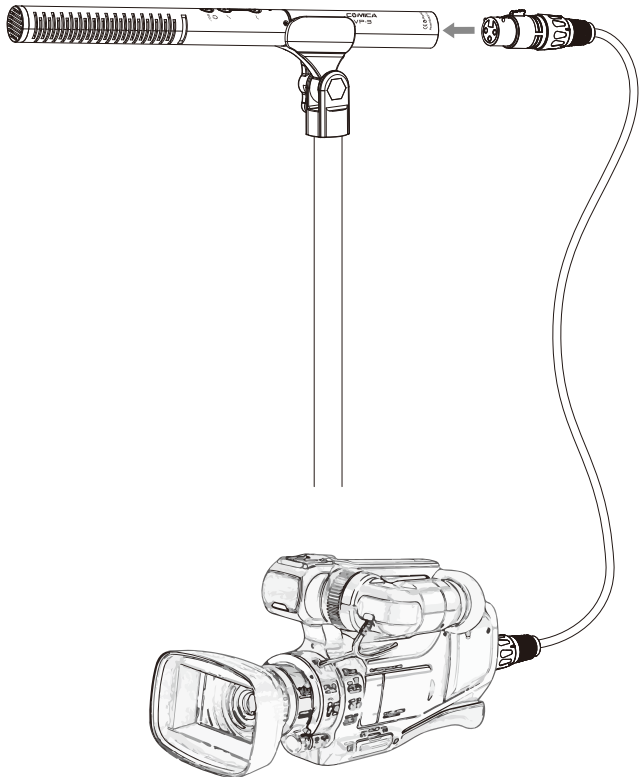
1.31 Connect the Mic and Boom Bracket



1.32 Connect the Boom Bracket and Boom

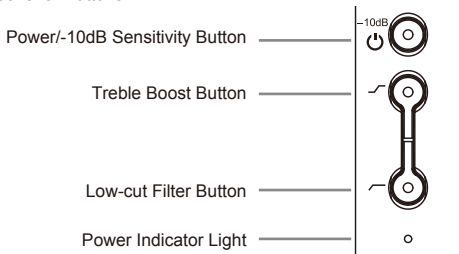


1.33 Connect the 3.5mm / XLR output cable to the Camcorder



2. Operation

2.1 Instructions for Buttons



Long Press the Power Button to turn on or off power.

Short press the Power Button to turn on or off the -10dB adjustable sensitivity function.

Short press the Treble Boost Button to open or off the treble booster function.

Short press the Low-cut Filter Button to open or off the low-cut function.



Treble Boost function can be used when recording some deep voice, it can boost the treble, then the recorded voice would make a balance between treble and bass. The low-cut function can effectively reduce the influence of noise when recording, but sometimes it may lose some sound details, so it needs to be used according to demands.

2.2 Instructions for Buttons' Indicator Light

Blue light: the function represented by the button is valid.

2.3 Instructions for Power Indicator Light

Blue light: the battery have sufficient power for normal working.

Green light: device detected +48V phantom power.

Red light: the battery is in low power and needs to be replaced.

Tech Parameters

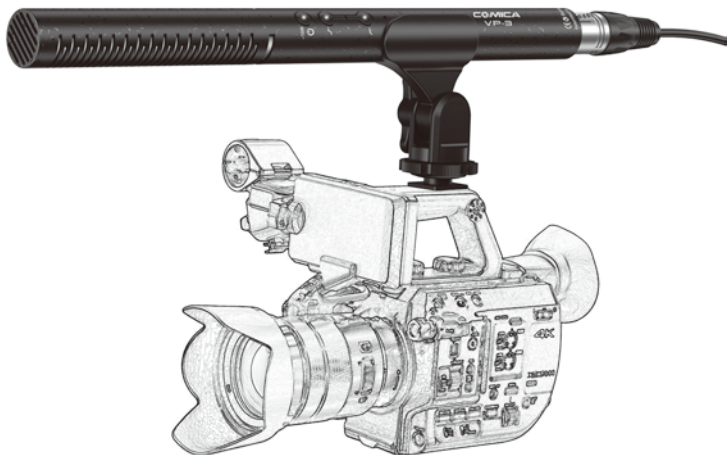
Polar Pattern	Super Cardioid
Frequency Range	20Hz-20KHz
Low-cut	100Hz
Sensitivity	-38dB \pm 3dB
Output Impedance	200 Ω
S/N	>65dB
Maximum SPL	>105dB
Output Form	3 Pin XLR Balanced Output
Power	AA Battery (Don't Support Phantom Power Supply Alone)
Size	Φ 22 mm x L 280 mm
Net Weight	172g

COMICA

PROFESSIONAL AUDIO EQUIPMENT

CVM-VP3

超心型电容式麦克风



用户使用手册

前 言

感谢您购买科唛COMICA CVM-VP3超心型指向电容式麦克风。

此产品采用超心型指向技术，专为摄像、会议、采访，等场合设计，适用于摄像机、相机录音；同时该麦克风具有超低噪音电路，两档音频-普通和低切模式，-10dB灵敏度可调，1.5伏AA电池供电，全金属结构，超强屏蔽，稳固耐用等特点，能为您的视频提供广电级的优质音效！

使用前请认真阅读此使用说明书，本产品在出厂时已进行精密校准，请勿自行组装拆卸零部件，否则不予保修！

产品主要功能

- . 超低噪音电路
- . 两档音频-普通和低切模式
- . -10dB灵敏度可调
- . AA电池供电
- . 全金属结构，超强屏蔽，稳固耐用
- . 广电级拾音效果



超低底噪



低切功能



-10dB的灵敏度可调



心形指向



全金属制造

注意事项

- ⚠ 装入电池时请注意正极朝上，避免电池装反给设备造成损坏
- ⚠ 使用时请远离热源或干扰源
- ⚠ 使用时请避免掉落，碰撞或重击
- ⚠ 请勿在下雨或潮湿环境环境中使用，否则会有短路的危险
- ⚠ 使用完成后，请注意关机后再进行存放

包装清单

标准配件

- ① 麦克风主体
- ② XLR-3.5mm音频线
- ③ XLR-XLR音频线
- ④ 相机固定座
- ⑤ 挑杆固定座
- ⑥ 防风棉
- ⑦ 黑色便携包
- ⑧ 说明书
- ⑨ 保修卡



①



②



③



④



⑤



⑥



⑦



⑧



⑨

可选配件

- ⑩ 防风毛
- ⑪ 减震架



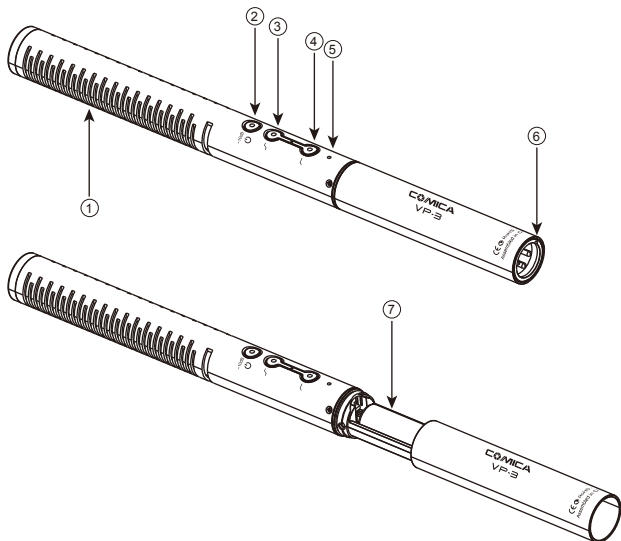
⑩



⑪

麦克风主体

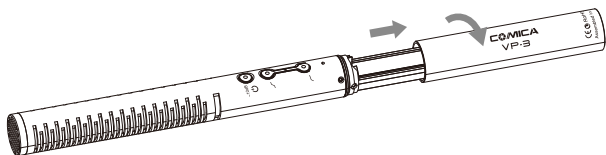
- ① 拾音头
- ② 电源键/-10dB灵敏度键
- ③ 高频提升键
- ④ 低切键
- ⑤ 电源指示灯
- ⑥ 音频输出插孔
- ⑦ 电池仓



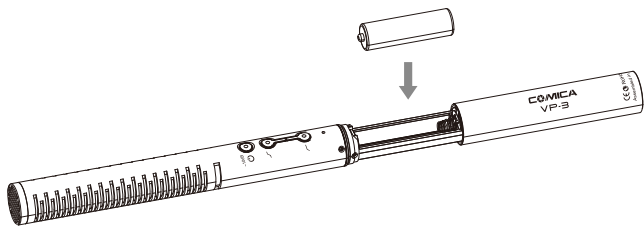
1. 安装

1.1 电池的安装

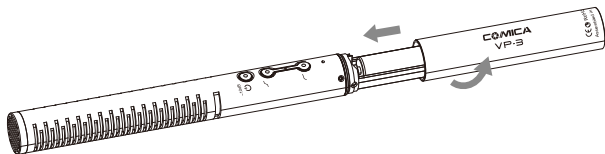
1.11 旋转管体，打开电池仓



1.12 放入电池



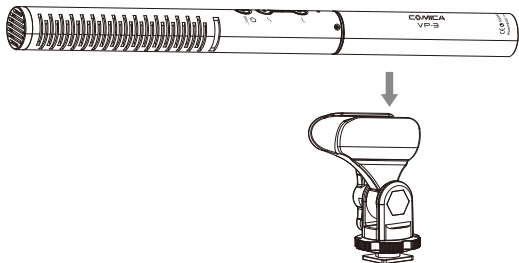
1.13 旋转管体，关闭电池仓



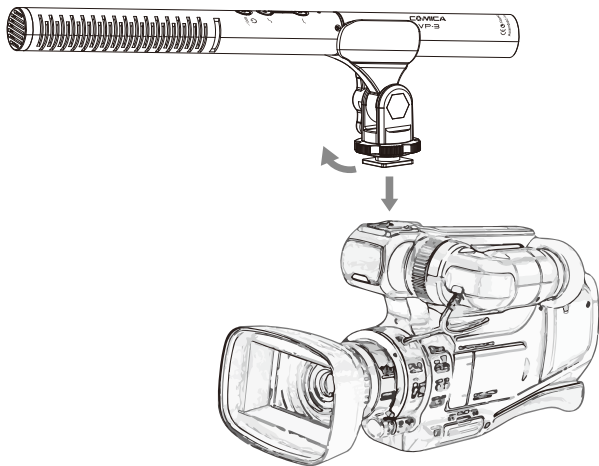
1.2 麦克风主体与相机/摄像机的连接

将麦克风安装至相机固定座与相机/摄像机连接

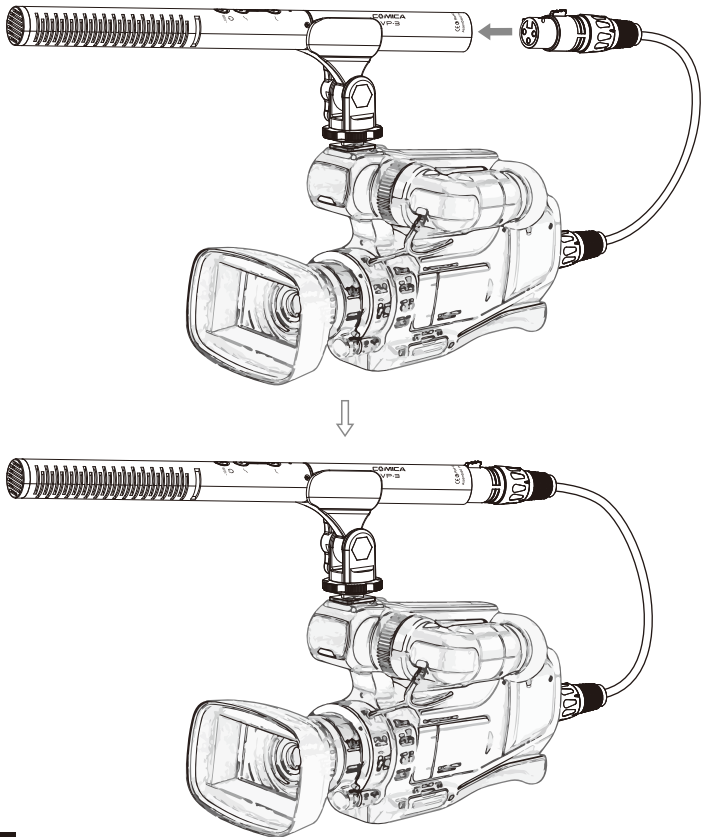
1.21 将麦克风安装上相机固定座



1.22 将相机固定座的冷靴底座安装至相机/摄像机，拧紧转牙锁盘至固定

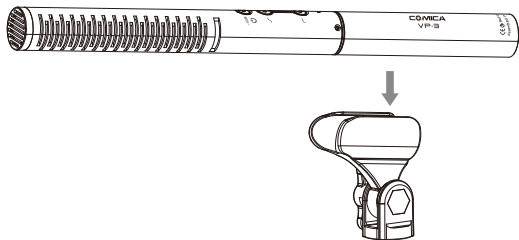


1. 23 将麦克风插上3.5mm/卡侬头音频输出线，与相机/摄像机相连

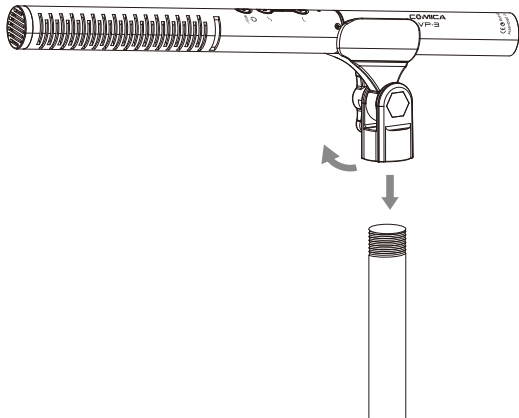


将麦克风安装至挑杆与摄像机连接

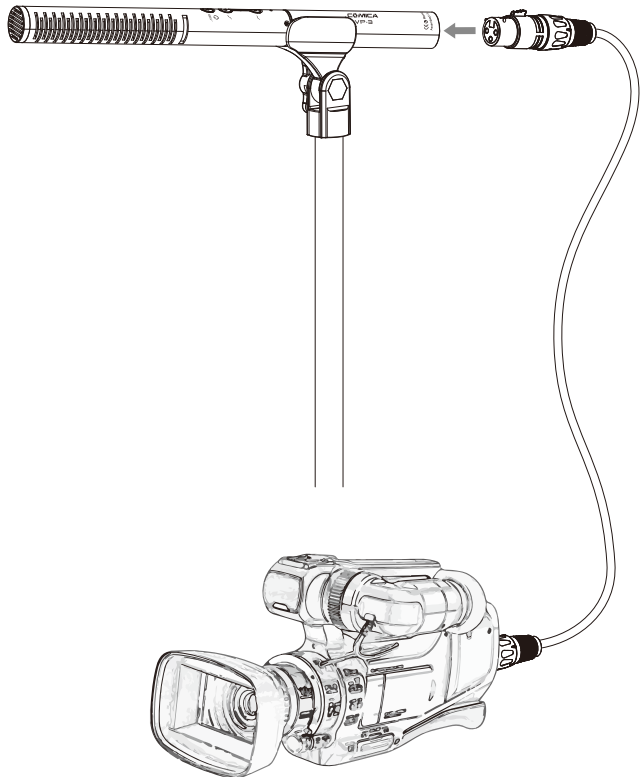
1. 31 将麦克风固定在挑杆固定座上



1. 32 将挑杆固定座安装至话筒挑杆上

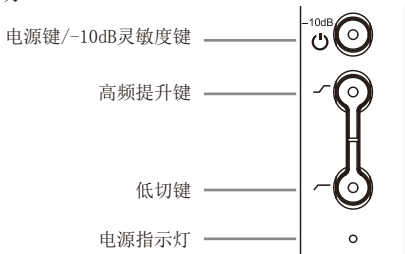


1.33 将麦克风插上3.5mm / 卡侬头音频输出线，与摄像机相连



2. 使用

2.1 按键使用说明




长按电源键，开启或关闭电源

短按电源键，开启或关闭-10dB灵敏度功能

短按高频提升键，开启或关闭高频增益功能

短按低切键，开启或关闭低切功能

 高频提升功能可以在录制一些低沉的声音时使用，激活这个功能之后，高频部分会被提高，录制下来的声音会在高频和低频上作一个均衡处理；低切功能可以有效减少因环境噪音对录音带来的影响，但有时也可能损失一些声音细节，从而影响声音效果，需视情况使用。

2.2 按键指示灯说明

蓝灯：该键对应功能有效

2.3 电源指示灯说明

蓝灯：电池电量充足的正常工作状态

绿灯：检测到+48V幻象电源

红灯：电池处于低电量状态，需要更换电池

技术参数

指向性	超心型
频率范围	20Hz~20KHz
低切	100Hz
灵敏度	-38dB ±3dB
输出阻抗	200 Ω
信噪比	>65dB
最大声压等级	>105dB
输出形式	3针XLR平衡输出
电源供电	AA电池(不能使用幻象电单独供电)
尺寸	Φ22mm x L 280mm
净重	172g



www.comica-audio.com

The COMICA LOGO is trademark which is registered and owned by Commlite Technology Co.,Ltd
Email: support@comica-audio.com