

BZ2000-ANT

High Gain Panel Antenna for Blitz 2000



What's Included

- 1 x Panel Antenna
- 1 x Receiver Mounting Bracket
- 1 x Stand Mount Bracket
- 1 x Stand Mount Brace
- 5 x NJWC to SMA Coaxial Cable Connectors
- 4 x M3 Mounting Screws
- 4 x M4 Mounting Screws



ikan

www.ikancorp.com

support@ikancorp.com

713.272.8822

© 2015 ikan Corporation. All rights Reserved

The Blitz BZ2000-ANT is a directional high-gain antenna compatible with the Blitz BZ1000 receiver. The five antenna ports connect to the panel antenna which can increase the maximum distance from 1000 ft to 2000 ft under the same conditions. This panel antenna will increase distance as well as signal strength for shorter distances. Follow these instructions carefully for best performance. If the product is not used correctly, you may experience poor results. Please view the contents in this manual for the detailed operation instructions.

(For further instructions please consult your BZ1000-PRO manual.)

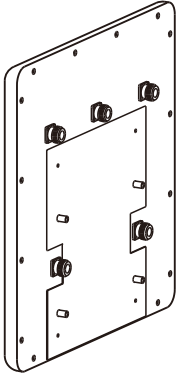
Specifications

Model	BZ2000-ANT
Frequency Range	5.0-5.9GHz
Gain	14±0.5dBi
(F/B Ratio)	≥ 25dB
Isolation	≥ 26dB
Horizontal Beam Width	40±5°
Vertical Beam Width	40±5°
V.S.W.R	≤ 2.0
Polarization	5 ports: 3 ports vertical, 2 ports ± 45°
Maximum Power	100W
Impedance	50ohm
Working Temperature	-40°C to + 55°C
Connector Type	5*N-K
Lightning Protection	DC-Ground
Installation Method	Bracket

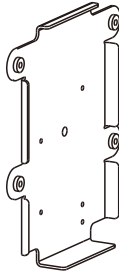
Physical Specification

Antenna Dimension	12 x 12 x 0.9 in. (305 x 305 x 25 mm)
Antenna Material	ABS
Weight (Antenna and accessories)	4.3 lbs (1.97 kg)
Weight (Antenna and Receiver)	5.7 lbs (2.6 kg)
Rated Wind Velocity	36.9 m/s

Packing List



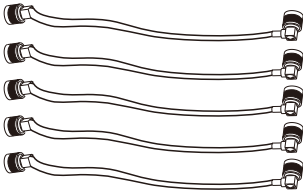
1 x Panel Antenna



1 x Receiver
Mounting Bracket



1 x Stand Mount
Brace



5 x NJWC to SMA coaxial
cable connectors



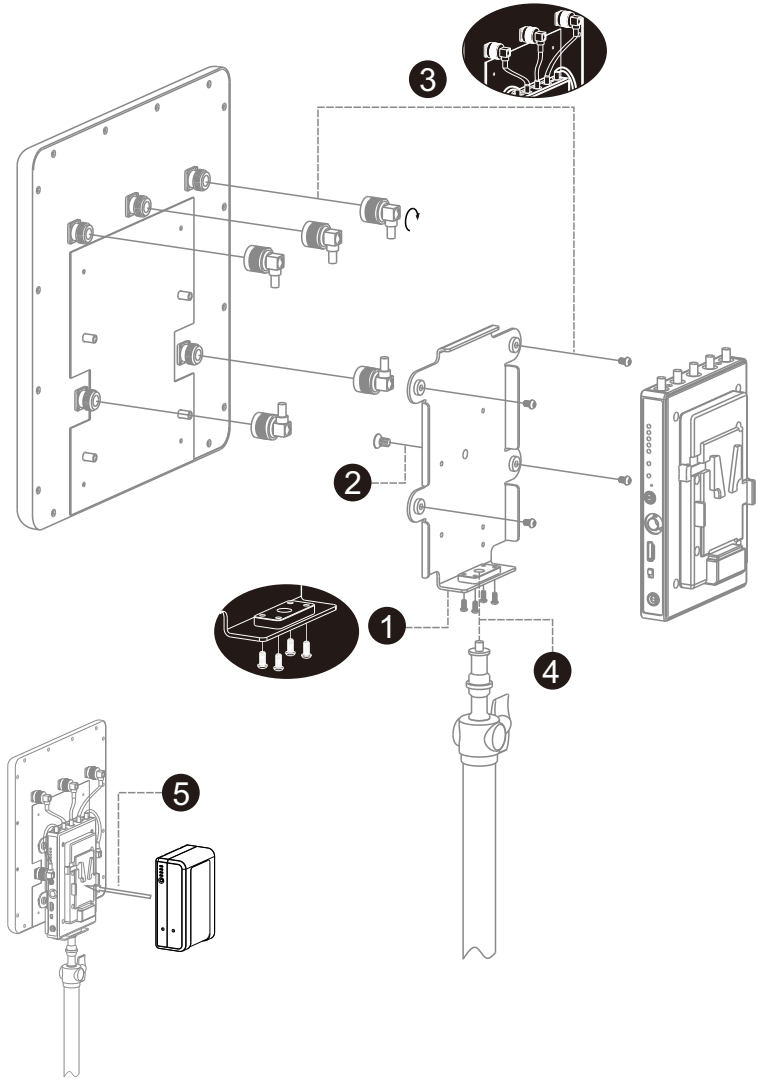
4 x M3 Mounting
Screws



4 x M4 Mounting
Screws

4

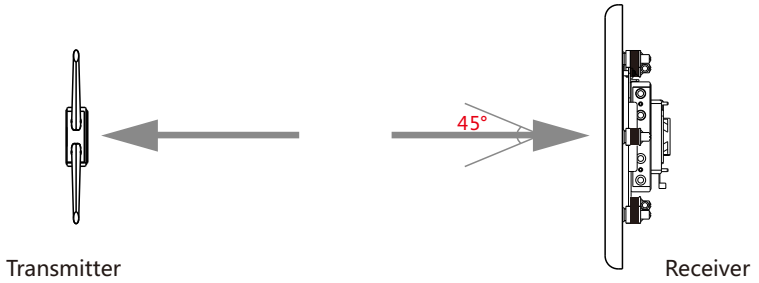
Installation Guide



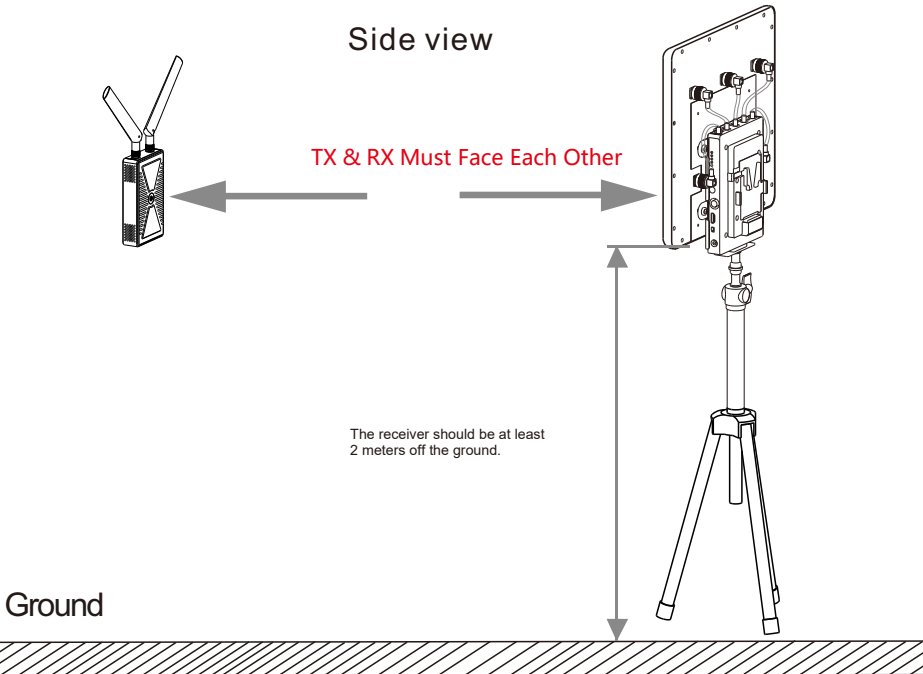
- 1 Install the stand mount brace to the receiver mounting bracket using the 4pcs M3*8 screws.
- 2 Place the BZ1000 receiver on the receiver bracket and line up the 4 holes from the Ikan Quick Mount system on the front of the unit to the 4 holes on the receiver bracket. Use the included 4 x M4 screws to then attach the receiver to the bracket.
- 3 Attach the receiver mounting bracket to the panel antenna with the 4pcs M4*8 screws, and connect the 5 ports of the antenna to the 5 ports on the receiver with the included coaxial cable connectors.
- 4 Attach the complete assembly to a light stand via the 3/8"-16 threaded hole on the stand mount brace.
- 5 Install a v-mount battery and any video cables on the receiver.

Installation Diagram

Top view



Side view



- (1) If there is no video signal within 10 to 30 ft, then check the video input source and output.
- (2) If you experience poor video quality from 1000 to 2000 ft please check whether the transmitter and receiver are set up as outlined in this manual. If they are setup correctly, then check if the coaxial cables on the antenna are connected properly, damaged, or if the port is dirty.
- (3) If you experience image noise it may be due to wireless interference. Please try a different wireless channel.
- (4) When using the panel antenna outside with a light stand make sure to use sandbags or other type of reinforcements on the stand to keep it from falling.
- (5) When the system is not in use please keep all components in the included box in order to keep them safe and clean.

